



TECHNICAL GUIDE

LX SERIES SPLIT SYSTEM AIR CONDITIONERS 17 SEER – R-410A – 3 PHASE 3 THRU 5 NOMINAL TONS MODELS: TCG36 THRU 60

FOR INSTALLATION IN ALL US REGIONS AND CANADA



ISO 9001
Certified Quality
Management System



Unitary Small AC
AHRI Standard 210/240
Certification applies only when the complete system is listed with AHRI.



Due to continuous product improvement, specifications are subject to change without notice.

Visit us on the web at
www.simplygettingthejobdone.com and
www.york.com

Additional rating information can be found at
www.ahridirectory.org

WARRANTY SUMMARY*

Standard 1-Year limited parts warranty.

Standard 5-Years limited compressor warranty.

*Does not apply to R-22 models or internet sales.

See Limited Warranty certificate in User's Information Manual for details.

DESCRIPTION

The TCG models are part of our successful LX series 17 SEER three phase split system air conditioner lineup. The three phase TCG units are engineered as matched systems using York™ indoor coils, furnaces and air handlers.

FEATURES

- **Small Footprint** - Minimum footprint for easier handling, transportation, and installation.
- **Easier Installation** - Independent panels provide quick access for unit setup. Installation time is reduced by easy power and control wiring access. Options are provided for indoor piston or TXV. The factory installed filter-drier and factory charge for a 15-Ft lineset means less time spent brazing and charging the system. The small base dimension and reduced unit clearances make for easier retrofits.
- **Accessible Information** - QR code on unit provides quick access to technical documents and warranty information.
- **Durable Finish** - The coated steel wire fan guard, coated external fasteners, and pre-treated G90-equivalent galvanized steel chassis components resist corrosion and rust creep. Champagne colored powdercoat paint further protects external panels.
- **Quality Coils** - The high efficiency microchannel aluminum coil is manufactured using an improved material system providing reliable performance and small unit size.
- **Rugged Coil Protection** - Coils are protected from mechanical damage by a proven stamped steel coil guard design.
- **Protected Compressor** - Compressors are protected internally by a high pressure relief valve and a temperature sensor, and externally by the system high pressure switch. The liquid line filter-drier is factory installed to protect the compressor against moisture and debris.
- **Reliable Operation** - Ball bearing fan motors provide superior performance in extreme temperatures.
- **Environmentally Friendly** - CFC-free R-410A refrigerant delivers environmentally friendly performance with zero ozone depletion.
- **Top Discharge** - Warm air is blown up, away from the structure and any landscaping and allows compact location on multi-unit applications.
- **Low Operating Sound Levels** - Developed using CFD and FEA tools, the sturdy cabinet and top design provides sound performance as low as 73 dBA. Compatible accessories for further sound reduction are also available.
- **Better Service Access** - Diagonal base valves with open access for low-loss fittings, single panel access to the electrical controls, swing out control box for full corner access, and removable fan guard allow easy access for unit maintenance.
- **Agency Listed** - Safety certified by CSA to UL 1995 / CSA 22.2. Performance certified to ANSI/AHRI Standard 210/240 in accordance with the Unitary Small Equipment certification program.

LIST OF SECTIONS

DESCRIPTION 1
 FEATURES 1
 NOMENCLATURE 2
 PHYSICAL AND ELECTRICAL DATA 3
 DIMENSIONS 3
 SYSTEM CHARGE FOR VARIOUS MATCHED SYSTEMS 4
 COOLING CAPACITY - With Air Handler Coils 5
 COOLING CAPACITY - Upflow, Downflow &
 Horizontal Furnaces and Coils (Coil Only Ratings) 9
 COOLING CAPACITY - With High Efficiency Motor Furnaces .. 10
 APPLICATIONS AND ACCESSORIES 60
 SOUND POWER RATINGS 60
 MECHANICAL SPECIFICATIONS 61
 TYPICAL INSTALLATION 62
 TYPICAL FIELD WIRING 63
 ALTERNATIVE INSTALLATION CLEARANCES 63
 PERFORMANCE DATA - 3 TON 208-230 Volt 64
 PERFORMANCE DATA - 3 TON 460 Volt 72
 PERFORMANCE DATA - 4 TON 208-230 Volt 81
 PERFORMANCE DATA - 4 TON 460 Volt 87
 PERFORMANCE DATA - 5 TON 208-230 Volt 93
 PERFORMANCE DATA - 5 TON 460 Volt 96

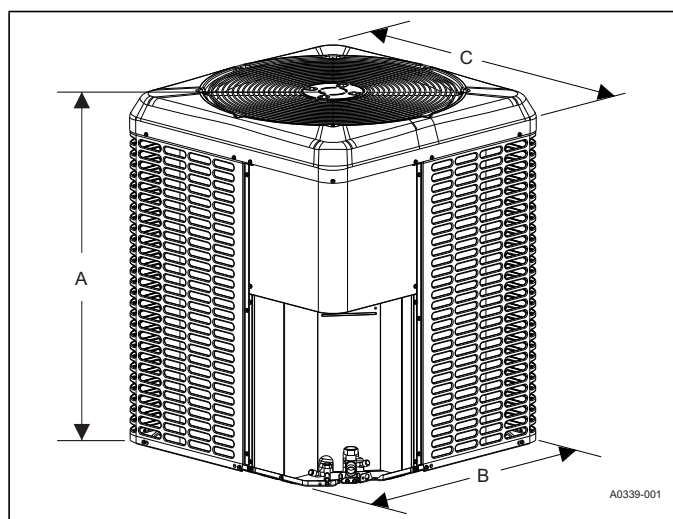
NOMENCLATURE

BRAND	T	T = Factory Branded
PRODUCT TYPE	C	C = Air Conditioner
NOMINAL SERIES EFFICIENCY AND STAGING	G	G = 17 SEER / 1-Stage
NOMINAL UNIT CAPACITY (MBH)	36	36 = 3 Ton 48 = 4 Ton 60 = 5 Ton
REFRIGERANT	B	B = R-410A
VOLTAGE (Voltage-Phase-Hertz)	3	3 = 208/230-3-60 4 = 460-3-60
GENERATION (MAJOR REVISION)	1	1 = 1st Gen 2 = 2nd Gen etc
FACTORY OPTION	S	S = Standard (No Options)
STYLE LETTER (MINOR REVISION) NOT USED FOR ORDERING	A	A = Style A B = Style B etc

PHYSICAL AND ELECTRICAL DATA

MODEL		TCG36B31S	TCG48B31S	TCG60B31S	TCG36B41S	TCG48B41S	TCG60B41S
Unit Supply Voltage		208-230V, 3 ϕ , 60Hz			460V, 3 ϕ , 60Hz		
Normal Voltage Range ¹		187 to 252			432 to 504		
Minimum Circuit Ampacity		15.8	20.0	22.6	8.8	9.4	10.4
Max. Overcurrent Device Amps ²		25	30	35	15	15	15
Min. Overcurrent Device Amps ³		20	20	25	15	15	15
Compressor	Type	Scroll	Scroll	Scroll	Scroll	Scroll	Scroll
	Rated Load	10.4	13.8	15.9	5.8	6.2	7.1
	Locked Rotor	73.0	83.1	110	38.0	41.0	52.0
Crankcase Heater		No	No	No	No	No	No
Factory External Discharge Muffler		No	No	No	No	No	No
Fan Diameter Inches		24	26	26	24	26	26
Fan Motor	Type	ECM	ECM	ECM	ECM	ECM	ECM
	Rated HP	1/3	1/3	1/3	1/3	1/3	1/3
	Rated Load Amps	2.80	2.80	2.80	1.60	1.60	1.60
	Nominal RPM	682	875	834	682	875	834
	Nominal CFM	3000	4100	4275	3000	4100	4275
Coil	Face Area Sq. Ft.	21.06	25.28	27.40	21.06	25.28	27.40
	Rows Deep	1	1	1	1	1	1
	Fins / Inch	23	23	23	23	23	23
Liquid Line Set OD (Field Installed)		3/8	3/8	3/8	3/8	3/8	3/8
Vapor Line Set OD (Field Installed) ⁴		3/4	7/8	1-1/8 [‡]	3/4	7/8	1-1/8 [‡]
Unit Charge (Lbs. - Oz.) ⁵		4 - 9	6 - 11	7 - 14	4 - 9	6 - 11	7 - 14
Charge Per Foot, Oz.		0.62	0.67	0.75	0.62	0.67	0.75
Operating Weight Lbs.		180	225	240	180	225	240

1. Rated in accordance with AHRI Standard 110-2012, utilization range "A".
2. Dual element fuses or HACR circuit breaker. Maximum allowable overcurrent protection.
3. Dual element fuses or HACR circuit breaker. Minimum recommended overcurrent protection.
4. For applications with non-standard vapor line sizes, see the "Applications & Accessories" section of this Technical Guide.
5. The Unit Charge is correct for the outdoor unit, smallest matched indoor unit, and 15 feet of refrigerant tubing. For tubing lengths other than 15 feet, add or subtract the amount of refrigerant, using the difference in actual lineset length (not the equivalent length) multiplied by the per foot value.



DIMENSIONS

Unit Model	Dimensions (Inches)			Refrigerant Connection Service Valve Size	
	A	B	C	Liquid	Vapor
TCG36B(3,4)1S	36-1/4	35-1/4	31-3/4	3/8	3/4
TCG48B(3,4)1S	39-1/2	38	34-1/4		7/8
TCG60B(3,4)1S	42-3/4	38	34-1/4		7/8 [‡]

[‡] Adapter fitting must be field installed for the required 1-1/8" line set.
 All dimensions are in inches and are subject to change without notice.
 Overall height is from bottom of base pan to top of fan guard.
 Overall length and width include screw heads.

SYSTEM CHARGE FOR VARIOUS MATCHED SYSTEMS

Outdoor Unit	TCG36B(3,4)1S	TCG48B(3,4)1S	TCG60B(3,4)1S
Required TXV ^{1,2}	BA1	BC1	BG1
Indoor Unit ^{3,4,5}	Additional Charge, oz		
AP18B	–	–	–
AP24B	–	–	–
AP30B	–	–	–
AP36B	0	–	–
AP36C	2	–	–
AP42C	2	–	–
AP48(C,D)	6	0	–
AP60(C,D)	10	4	0
AE18B	–	–	–
AE24B	–	–	–
AE30B	–	–	–
AE36(B,C)	0	–	–
AE42C	6	–	–
AE48(C,D)	6	0	–
AE60C	10	4	0
AE60D	–	22	16
AVC18B	–	–	–
AVC24B	–	–	–
AVC30B	–	–	–
AVC36(B,C)	0	–	–
AVC42C	6	–	–
AVC48(C,D)	6	0	–
AVC60C	10	4	0
AVC60D	–	22	16
CF/CM/CU18(A,B)	–	–	–
CF/CM/CU24(A,B)	–	–	–
CF/CM/CU30(A,B,C)	–	–	–
CF/CM/CU36(A,B,C,D)	0	–	–
CF/CM/CU42(B,C,D)	2	–	–
CF/CM/CU48(C,D)	6	0	–
CF/CM/CU60(C,D)	10	4	0
CF/CM64D	–	22	16

Some of the combinations shown in the above System Charge table require Advanced Main Air Circulating Fan indoor product. For approved coil only matches, please see the "COOLING CAPACITY - Upflow, Downflow & Horizontal Furnaces and Coils" table.

FOOTNOTES:

1. For applications requiring a TXV, use S1-1TVM*** series kit.
2. A TXV kit must be used with these indoor units to obtain system performance.
3. Systems matched with furnaces or air handlers not equipped with blower-off delays may require 60 second time delay.
4. CF coils cannot be used in horizontal applications.
5. Charge adders shown above do not indicate that coils are rated for every application. Refer to Performance Data Tables for actual performance for specified system matches. Obtain certified system ratings from www.ahridirectory.org.

CHARGING PROCEDURES:

1. Check the Factory Unit Charge listed on the unit nameplate to verify the refrigerant charge for the outdoor unit, the smallest matched indoor unit, and the 15 feet of interconnecting lineset.
2. Verify the indoor metering device and additional charge required for the specific matched indoor unit in the system using the above table.
3. Add additional charge for the amount of interconnecting lineset tubing greater than 15 feet at the rate specified in Physical and Electrical Data Table.
4. For installations requiring additional charge, weigh in refrigerant for the specific matching indoor unit and actual lineset length.
5. Once the charge adders for matched indoor unit and for lineset have been weighed in, verify the system operation against the temperatures and pressures in the Charging Chart for the outdoor unit. Locate Charging Charts on the outdoor unit and also in the Service Data Application Guide on www.simplygettingthejobdone.com. Follow the Subcool or Superheat charging procedure in the Installation Manual according to the type of indoor metering device in the system, and allow ten minutes after each charge adjustment for the system operation to stabilize. Record the charge adjustment made to match the Charging Chart.
6. Permanently stamp the unit nameplate with the TOTAL SYSTEM CHARGE defined as follows: TOTAL SYSTEM CHARGE = Base Charge (as shipped) + charge adder for matched indoor unit + charge adder for actual lineset length + charge adjustments to match the Charging Chart.

COOLING CAPACITY - With Air Handler Coils

UNIT MODEL	AIR HANDLER		COIL MODEL ¹	COOLING				
	MODEL	WIDTH		RATED CFM	NET MBH		SEER	EER
					TOTAL	SENS.		
TCG36B31S	AE36BX21	17.5	–	1000	34.60	23.80	16.25	13.50
TCG36B31S	AE36CX21	21.0	–	1025	34.60	24.40	16.50	14.00
TCG36B31S	AE42CX21	21.0	–	1000	35.40	24.40	17.00	14.00
TCG36B31S	AE48CX21	21.0	–	1250	36.00	27.00	17.00	14.00
TCG36B31S	AE48DX21	24.5	–	1250	36.00	27.00	17.00	14.25
TCG36B31S	AE60CX21	21.0	–	1350	36.00	27.40	15.75	13.50
TCG36B31S	AP36BX21	17.5	–	975	34.60	23.60	14.75	12.50
TCG36B31S	AP36CX21	21.0	–	975	34.60	23.80	15.00	12.75
TCG36B31S	AP42CX21	21.0	–	1150	35.40	24.60	14.75	12.50
TCG36B31S	AP48CX21	21.0	–	1175	36.00	26.20	14.75	12.75
TCG36B31S	AP48DX21	24.5	–	1175	36.00	26.20	14.75	12.75
TCG36B31S	AP60CX21	21.0	–	1350	36.00	27.20	14.25	12.25
TCG36B31S	AP60DX22	24.5	–	1225	36.00	26.00	14.50	12.50
TCG36B31S	AVC36BX21	17.5	–	975	34.60	23.60	16.25	13.75
TCG36B31S	AVC36CX21	21.0	–	975	34.60	23.60	16.50	14.00
TCG36B31S	AVC42CX21	21.0	–	1100	35.40	25.60	17.00	14.00
TCG36B31S	AVC48CX21	21.0	–	1075	36.00	25.40	17.00	14.00
TCG36B31S	AVC48DX21	24.5	–	1150	36.00	26.20	17.00	14.25
TCG36B31S	AVC60CX21	21.0	–	1125	36.00	25.80	17.00	14.25
TCG36B31S	ME12BN21	17.5	CF/CM36B	1025	34.60	24.40	16.20	13.75
TCG36B31S	ME12BN21	17.5	CF42B	975	35.40	24.20	16.25	13.50
TCG36B31S	ME14DN21	24.5	CF/CM36D	1250	34.60	26.20	16.50	14.00
TCG36B31S	ME14DN21	24.5	CF/CM42D	1225	35.40	25.80	17.00	14.25
TCG36B31S	ME14DN21	24.5	CF/CM48D	1200	36.00	26.60	17.00	14.25
TCG36B31S	ME14DN21	24.5	CF/CM60D	1050	36.00	25.20	16.00	13.75
TCG36B31S	ME16CN21	21.0	CF/CM36C	1250	34.60	26.00	16.50	14.00
TCG36B31S	ME16CN21	21.0	CF/CM42C	1225	35.40	25.80	17.00	14.25
TCG36B31S	ME16CN21	21.0	CF/CM48C	1250	36.00	27.00	17.00	14.25
TCG36B31S	ME16CN21	21.0	CF/CM60C	1250	36.00	26.80	17.00	14.25
TCG36B31S	ME20DN21	24.5	CF/CM36D	1325	35.40	25.80	15.00	12.75
TCG36B31S	ME20DN21	24.5	CF/CM42D	1350	36.00	27.20	16.20	13.50
TCG36B31S	ME20DN21	24.5	CF/CM48D	1350	36.00	27.40	16.25	13.75
TCG36B31S	ME20DN21	24.5	CF/CM60D	1350	36.00	27.40	16.50	13.75
TCG36B31S	MVC08BN21	17.5	CF/CM36B	1025	36.00	25.20	15.75	13.25
TCG36B31S	MVC12BN21	17.5	CF/CM36B	1000	36.00	24.80	15.75	13.25
TCG36B31S	MVC12BN21	17.5	CF42B	1025	36.00	24.60	16.00	13.25
TCG36B31S	MVC14DN21	24.5	CF/CM36D	1175	36.00	26.20	16.50	13.75
TCG36B31S	MVC14DN21	24.5	CF/CM42D	1125	36.00	25.80	17.00	14.00
TCG36B31S	MVC14DN21	24.5	CF/CM48D	1125	36.00	25.80	17.00	14.00
TCG36B31S	MVC14DN21	24.5	CF/CM60D	1075	36.00	25.60	17.00	14.00
TCG36B31S	MVC16CN21	21.0	CF/CM36C	1125	36.00	25.20	16.00	13.50
TCG36B31S	MVC16CN21	21.0	CF/CM42C	1025	36.00	24.60	16.50	13.75
TCG36B31S	MVC16CN21	21.0	CF/CM48C	1075	36.00	25.60	17.00	14.00
TCG36B31S	MVC16CN21	21.0	CF/CM60C	1175	36.00	26.40	17.00	14.00
TCG36B31S	MVC20DN21	24.5	CF/CM36D	1150	36.00	26.40	16.50	14.00
TCG36B31S	MVC20DN21	24.5	CF/CM42D	1200	36.00	26.20	16.50	13.75
TCG36B31S	MVC20DN21	24.5	CF/CM48D	1100	36.00	25.60	17.00	14.00
TCG36B31S	MVC20DN21	24.5	CF/CM60D	1175	36.00	26.20	17.00	14.25
TCG36B41S	AE36BX21	17.5	–	1000	34.60	23.80	16.25	13.50
TCG36B41S	AE36CX21	21.0	–	1025	34.60	24.40	16.50	14.00
TCG36B41S	AE42CX21	21.0	–	1000	35.40	24.40	17.00	14.00
TCG36B41S	AE48CX21	21.0	–	1250	36.00	26.80	17.00	14.00
TCG36B41S	AE48DX21	24.5	–	1250	36.00	26.80	17.00	14.25

COOLING CAPACITY - With Air Handler Coils (Continued)

UNIT MODEL	AIR HANDLER		COIL MODEL ¹	COOLING				
	MODEL	WIDTH		RATED CFM	NET MBH		SEER	EER
					TOTAL	SENS.		
TCG36B41S	AE60CX21	21.0	–	1350	36.00	27.00	15.75	13.50
TCG36B41S	AP36BX21	17.5	–	975	34.60	23.80	14.75	12.50
TCG36B41S	AP36CX21	21.0	–	975	34.60	23.40	15.00	12.75
TCG36B41S	AP42CX21	21.0	–	1150	35.40	24.60	14.75	12.50
TCG36B41S	AP48CX21	21.0	–	1175	36.00	25.80	14.75	12.75
TCG36B41S	AP48DX21	24.5	–	1175	36.00	25.80	14.75	12.75
TCG36B41S	AP60CX21	21.0	–	1350	36.00	27.00	14.25	12.25
TCG36B41S	AP60DX22	24.5	–	1225	36.00	26.00	14.50	12.50
TCG36B41S	AVC36BX21	17.5	–	975	34.60	23.60	16.25	13.75
TCG36B41S	AVC36CX21	21.0	–	975	34.60	23.60	16.50	14.00
TCG36B41S	AVC42CX21	21.0	–	1100	35.40	25.60	17.00	14.00
TCG36B41S	AVC48CX21	21.0	–	1075	36.00	25.40	17.00	14.00
TCG36B41S	AVC48DX21	24.5	–	1150	36.00	26.00	17.00	14.25
TCG36B41S	AVC60CX21	21.0	–	1125	36.00	25.80	17.00	14.25
TCG36B41S	ME12BN21	17.5	CF/CM36B	1025	34.60	24.40	16.20	13.75
TCG36B41S	ME12BN21	17.5	CF42B	975	35.40	24.20	16.25	13.50
TCG36B41S	ME14DN21	24.5	CF/CM36D	1250	34.60	26.00	16.50	14.00
TCG36B41S	ME14DN21	24.5	CF/CM42D	1225	35.40	25.80	17.00	14.25
TCG36B41S	ME14DN21	24.5	CF/CM48D	1200	36.00	26.60	17.00	14.25
TCG36B41S	ME14DN21	24.5	CF/CM60D	1050	36.00	25.20	16.00	13.75
TCG36B41S	ME16CN21	21.0	CF/CM36C	1250	34.60	26.00	16.50	14.00
TCG36B41S	ME16CN21	21.0	CF/CM42C	1225	35.40	25.80	17.00	14.25
TCG36B41S	ME16CN21	21.0	CF/CM48C	1250	36.00	26.80	17.00	14.25
TCG36B41S	ME16CN21	21.0	CF/CM60C	1250	36.00	27.00	17.00	14.25
TCG36B41S	ME20DN21	24.5	CF/CM36D	1325	35.40	26.00	15.00	12.75
TCG36B41S	ME20DN21	24.5	CF/CM42D	1350	36.00	27.40	16.20	13.50
TCG36B41S	ME20DN21	24.5	CF/CM48D	1350	36.00	27.40	16.25	13.75
TCG36B41S	ME20DN21	24.5	CF/CM60D	1350	36.00	27.00	16.50	13.75
TCG36B41S	ME12BN41	17.5	CF/CM36B	1075	34.60	27.80	16.00	13.25
TCG36B41S	ME12BN41	17.5	CF42B	1075	35.40	27.00	16.25	13.50
TCG36B41S	ME12CN41	21.0	CF/CM36C	1250	36.00	29.80	16.25	13.50
TCG36B41S	ME12CN41	21.0	CF/CM42C	1250	36.00	29.60	16.25	13.50
TCG36B41S	ME12CN41	21.0	CF/CM48C	1250	36.00	28.60	16.25	13.50
TCG36B41S	ME12CN41	21.0	CF/CM60C	1250	36.00	29.80	16.25	13.50
TCG36B41S	ME14DN41	24.5	CF/CM48D	1200	36.00	28.00	17.00	14.00
TCG36B41S	ME14DN41	24.5	CF/CM60D	1200	36.00	29.60	17.00	14.00
TCG36B41S	ME16CN41	21.0	CF/CM36C	1100	34.60	28.00	16.50	13.75
TCG36B41S	ME16CN41	21.0	CF/CM42C	1100	35.40	28.00	16.75	14.00
TCG36B41S	ME16CN41	21.0	CF/CM48C	1100	36.00	28.40	16.75	14.00
TCG36B41S	ME16CN41	21.0	CF/CM60C	1100	36.00	27.80	16.75	14.00
TCG36B41S	ME20DN41	24.5	CF/CM36D	1250	35.40	29.80	15.50	12.75
TCG36B41S	ME20DN41	24.5	CF/CM42D	1250	36.00	29.60	16.25	13.50
TCG36B41S	ME20DN41	24.5	CF/CM48D	1250	36.00	30.20	16.25	13.50
TCG36B41S	ME20DN41	24.5	CF/CM60D	1250	36.00	30.00	16.50	13.75
TCG36B41S	MVC08BN21	17.5	CF/CM36B	1025	36.00	25.40	15.75	13.25
TCG36B41S	MVC12BN21	17.5	CF/CM36B	1000	36.00	24.80	15.75	13.25
TCG36B41S	MVC12BN21	17.5	CF42B	1025	36.00	24.60	16.00	13.25
TCG36B41S	MVC14DN21	24.5	CF/CM36D	1175	36.00	26.60	16.50	13.75
TCG36B41S	MVC14DN21	24.5	CF/CM42D	1125	36.00	25.80	17.00	14.00
TCG36B41S	MVC14DN21	24.5	CF/CM48D	1125	36.00	26.00	17.00	14.00
TCG36B41S	MVC14DN21	24.5	CF/CM60D	1075	36.00	25.40	17.00	14.00
TCG36B41S	MVC16CN21	21.0	CF/CM36C	1125	36.00	25.20	16.00	13.50
TCG36B41S	MVC16CN21	21.0	CF/CM42C	1025	36.00	24.60	16.50	13.75

COOLING CAPACITY - With Air Handler Coils (Continued)

UNIT MODEL	AIR HANDLER		COIL MODEL ¹	COOLING				
	MODEL	WIDTH		RATED CFM	NET MBH		SEER	EER
					TOTAL	SENS.		
TCG36B41S	MVC16CN21	21.0	CF/CM48C	1075	36.00	25.40	17.00	14.00
TCG36B41S	MVC16CN21	21.0	CF/CM60C	1175	36.00	26.40	17.00	14.00
TCG36B41S	MVC20DN21	24.5	CF/CM36D	1150	36.00	26.40	16.50	14.00
TCG36B41S	MVC20DN21	24.5	CF/CM42D	1200	36.00	26.40	16.50	13.75
TCG36B41S	MVC20DN21	24.5	CF/CM48D	1100	36.00	25.60	17.00	14.00
TCG36B41S	MVC20DN21	24.5	CF/CM60D	1175	36.00	26.00	17.00	14.25
TCG48B31S	AE48CX21	21.0	–	1425	45.50	32.20	16.25	13.25
TCG48B31S	AE48DX21	24.5	–	1425	46.00	32.20	16.50	13.75
TCG48B31S	AE60CX21	21.0	–	1425	46.50	33.40	16.50	13.75
TCG48B31S	AE60DX21	24.5	–	1400	47.00	33.20	17.00	14.00
TCG48B31S	AP48CX21	21.0	–	1300	44.50	30.40	15.00	12.50
TCG48B31S	AP48DX21	24.5	–	1400	45.00	31.60	15.25	12.50
TCG48B31S	AP60CX21	21.0	–	1500	46.00	33.00	15.00	12.50
TCG48B31S	AP60DX22	24.5	–	1425	46.00	33.00	15.00	12.50
TCG48B31S	AVC48CX21	21.0	–	1350	45.50	31.40	16.20	13.25
TCG48B31S	AVC48DX21	24.5	–	1400	46.00	32.80	16.50	13.75
TCG48B31S	AVC60CX21	21.0	–	1350	46.00	32.00	16.50	13.75
TCG48B31S	AVC60DX21	24.5	–	1300	46.50	32.00	16.50	13.75
TCG48B31S	ME14DN21	24.5	CF/CM60D	1375	46.50	32.60	16.50	13.75
TCG48B31S	ME14DN21	24.5	CF/CM64D	1450	47.50	34.00	16.50	13.50
TCG48B31S	ME16CN21	21.0	CF/CM48C	1475	46.00	33.00	16.50	13.50
TCG48B31S	ME16CN21	21.0	CF/CM60C	1450	46.50	33.20	16.50	13.75
TCG48B31S	ME20DN21	24.5	CF/CM48D	1475	46.00	33.20	16.50	13.75
TCG48B31S	ME20DN21	24.5	CF/CM60D	1450	46.50	33.40	16.50	13.75
TCG48B31S	ME20DN21	24.5	CF/CM64D	1425	47.00	33.20	17.00	13.75
TCG48B31S	MVC14DN21	24.5	CF/CM48D	1300	45.50	31.20	16.25	13.50
TCG48B31S	MVC16CN21	21.0	CF/CM48C	1350	45.50	31.20	16.25	13.50
TCG48B31S	MVC16CN21	21.0	CF/CM60C	1325	45.50	31.00	16.50	13.75
TCG48B31S	MVC20DN21	24.5	CF/CM48D	1350	45.50	31.20	16.25	13.50
TCG48B31S	MVC20DN21	24.5	CF/CM60D	1425	46.50	33.40	16.75	13.75
TCG48B31S	MVC20DN21	24.5	CF/CM64D	1375	46.50	32.60	17.00	14.00
TCG48B41S	AE48CX21	21.0	–	1425	45.50	32.00	16.25	13.25
TCG48B41S	AE48DX21	24.5	–	1425	46.00	32.40	16.50	13.75
TCG48B41S	AE60CX21	21.0	–	1425	46.50	33.40	16.50	13.75
TCG48B41S	AE60DX21	24.5	–	1400	47.00	33.40	17.00	14.00
TCG48B41S	AP48CX21	21.0	–	1300	44.50	30.40	15.00	12.50
TCG48B41S	AP48DX21	24.5	–	1400	45.00	31.60	15.25	12.50
TCG48B41S	AP60CX21	21.0	–	1500	46.00	33.00	15.00	12.50
TCG48B41S	AP60DX22	24.5	–	1425	46.00	33.20	15.00	12.50
TCG48B41S	AVC48CX21	21.0	–	1350	45.50	31.60	16.20	13.25
TCG48B41S	AVC48DX21	24.5	–	1400	46.00	33.00	16.50	13.75
TCG48B41S	AVC60CX21	21.0	–	1350	46.00	32.40	16.50	13.75
TCG48B41S	AVC60DX21	24.5	–	1300	46.50	32.20	16.50	13.75
TCG48B41S	ME14DN21	24.5	CF/CM60D	1375	46.50	32.80	16.50	13.75
TCG48B41S	ME16CN21	21.0	CF/CM48C	1475	46.00	33.20	16.50	13.50
TCG48B41S	ME16CN21	21.0	CF/CM60C	1450	46.50	33.40	16.50	13.75
TCG48B41S	ME20DN21	24.5	CF/CM48D	1475	46.00	33.20	16.50	13.75
TCG48B41S	ME20DN21	24.5	CF/CM60D	1450	46.50	33.40	16.50	13.75
TCG48B41S	ME20DN21	24.5	CF/CM64D	1425	47.00	33.40	17.00	13.75
TCG48B41S	ME12CN41	21.0	CF/CM48C	1300	45.50	33.40	16.00	13.00
TCG48B41S	ME12CN41	21.0	CF/CM60C	1300	45.00	33.00	15.75	12.75
TCG48B41S	ME14DN41	24.5	CF/CM48D	1500	46.50	33.60	15.75	13.00
TCG48B41S	ME14DN41	24.5	CF/CM60D	1375	46.50	32.80	16.00	13.00

COOLING CAPACITY - With Air Handler Coils (Continued)

UNIT MODEL	AIR HANDLER		COIL MODEL ¹	COOLING				
	MODEL	WIDTH		RATED CFM	NET MBH		SEER	EER
					TOTAL	SENS.		
TCG48B41S	ME14DN41	24.5	CF/CM64D	1350	46.50	31.80	16.00	13.00
TCG48B41S	ME16CN41	21.0	CF/CM48C	1350	45.50	30.80	16.00	13.00
TCG48B41S	ME20DN41	24.5	CF/CM48D	1425	46.50	33.20	16.00	13.00
TCG48B41S	ME20DN41	24.5	CF/CM60D	1425	46.50	33.60	15.75	12.75
TCG48B41S	ME20DN41	24.5	CF/CM64D	1425	47.50	33.80	16.00	13.00
TCG48B41S	MVC14DN21	24.5	CF/CM48D	1300	45.50	30.80	16.25	13.50
TCG48B41S	MVC16CN21	21.0	CF/CM48C	1350	45.50	30.80	16.25	13.50
TCG48B41S	MVC16CN21	21.0	CF/CM60C	1325	45.50	31.20	16.50	13.75
TCG48B41S	MVC20DN21	24.5	CF/CM48D	1350	45.50	30.80	16.25	13.50
TCG48B41S	MVC20DN21	24.5	CF/CM60D	1425	46.50	33.40	16.75	13.75
TCG48B41S	MVC20DN21	24.5	CF/CM64D	1375	46.50	32.80	17.00	14.00
TCG60B31S	AE60CX21	21.0	—	1625	56.00	39.00	14.75	12.50
TCG60B31S	AE60CX22	21.0	—	1600	55.50	40.40	14.75	12.25
TCG60B31S	AE60DX21	24.5	—	1550	57.00	41.00	16.00	13.00
TCG60B31S	AP60CX21	21.0	—	1600	55.50	38.50	14.25	11.75
TCG60B31S	AP60DX21	24.5	—	1675	56.00	39.00	14.25	12.00
TCG60B31S	AP60DX22	24.5	—	1675	56.00	39.00	14.25	12.00
TCG60B31S	AVC60CX21	21.0	—	1750	56.50	40.50	14.75	12.25
TCG60B31S	AVC60DX21	24.5	—	1600	57.50	41.80	15.50	12.75
TCG60B31S	ME16CN21	21.0	CF/CM60C	1575	55.50	40.00	14.75	12.50
TCG60B31S	ME20DN21	24.5	CF/CM60D	1700	57.00	42.60	15.75	13.00
TCG60B31S	ME20DN21	24.5	CF/CM64D	1675	58.00	42.80	16.00	13.00
TCG60B31S	MVC16CN21	21.0	CF/CM60C	1650	56.00	41.00	15.00	12.75
TCG60B31S	MVC20DN21	24.5	CF/CM60D	1550	56.50	40.90	16.00	13.00
TCG60B31S	MVC20DN21	24.5	CF/CM64D	1550	57.50	41.40	16.00	13.00
TCG60B41S	AE60CX21	21.0	—	1625	56.00	39.00	14.75	12.50
TCG60B41S	AE60CX22	21.0	—	1600	55.50	40.40	14.75	12.25
TCG60B41S	AE60DX21	24.5	—	1550	57.00	41.00	16.00	13.00
TCG60B41S	AP60CX21	21.0	—	1600	55.50	38.50	14.25	11.75
TCG60B41S	AP60DX21	24.5	—	1675	56.00	39.00	14.25	12.00
TCG60B41S	AP60DX22	24.5	—	1675	56.00	39.00	14.25	12.00
TCG60B41S	AVC60CX21	21.0	—	1750	56.50	40.50	14.75	12.25
TCG60B41S	AVC60DX21	24.5	—	1600	57.50	41.80	15.50	12.75
TCG60B41S	ME16CN21	21.0	CF/CM60C	1575	55.50	40.00	14.75	12.50
TCG60B41S	ME20DN21	24.5	CF/CM60D	1700	57.00	42.60	15.75	13.00
TCG60B41S	ME20DN21	24.5	CF/CM64D	1675	58.00	42.80	16.00	13.00
TCG60B41S	MVC16CN21	21.0	CF/CM60C	1650	56.00	41.00	15.00	12.75
TCG60B41S	MVC20DN21	24.5	CF/CM60D	1550	56.50	40.90	16.00	13.00
TCG60B41S	MVC20DN21	24.5	CF/CM64D	1550	57.50	41.40	16.00	13.00
TCG60B41S	ME16CN41	21.0	CF/CM60C	1600	55.50	40.50	14.75	12.50
TCG60B41S	ME20DN41	24.5	CF/CM60D	1650	56.50	39.50	15.50	12.75
TCG60B41S	ME20DN41	24.5	CF/CM64D	1625	58.00	40.00	16.00	13.00

Rated in accordance with DOE test procedures (Federal Register 12-27-79 and 3-18-88) and ANSI/AHRI Standard 210/240.

Cooling MBH based on 80°F entering air temperature, 50% RH (Relative Humidity), and rated air flow.

EER (Energy Efficiency Ratio) is the total cooling output in BTUs at 95°F outdoor ambient divided by the total electric power in watt-hours at those conditions.

SEER (Seasonal Energy Efficiency Ratio) is the total cooling output in BTUs during a normal annual usage period for cooling divided by the total electric power input in watt-hours during the same period.

1. CM coils available with a factory installed horizontal drain pan. See price pages for specific model number.

— = Not applicable.

MP Modular Air Handlers use Coil Only Ratings.

COOLING CAPACITY - Upflow, Downflow & Horizontal Furnaces and Coils (Coil Only Ratings)

UNIT MODEL	COIL		CFM RANGE (MIN.-MAX.)	RATED CFM	COOLING			
	MODEL	WIDTH			NET MBH		SEER ¹	EER
					TOTAL	SENS.		
TCG36B31S	CF/CM/CU36B	17.5	1000 - 1400	1200	34.6	25.6	14.50	12.50
TCG36B31S	CF/CM/CU36C	21	1000 - 1400	1200	34.6	25.6	14.50	12.50
TCG36B31S	CF/CM/CU36D	24.5	1000 - 1400	1200	34.6	25.6	14.50	12.50
TCG36B31S	CF/CM/CU42C	21	1000 - 1400	1200	35.4	25.6	15.00	12.50
TCG36B31S	CF/CM/CU42D	24.5	1000 - 1400	1200	35.4	25.6	15.00	12.50
TCG36B31S	CF/CM/CU48C	21	1000 - 1400	1200	36.0	26.2	15.50	12.75
TCG36B31S	CF/CM/CU48D	24.5	1000 - 1400	1200	36.0	26.4	15.25	12.75
TCG36B31S	CF/CM/CU60C	21	1000 - 1400	1200	36.0	26.0	15.25	12.75
TCG36B31S	CF/CM/CU60D	24.5	1000 - 1400	1200	36.0	26.0	15.25	12.75
TCG36B31S	CF42B	17.5	1000 - 1400	1200	35.4	25.6	15.00	12.50
TCG36B41S	CF/CM/CU36B	17.5	1000 - 1400	1200	34.6	25.2	14.50	12.50
TCG36B41S	CF/CM/CU36C	21	1000 - 1400	1200	34.6	25.2	14.50	12.50
TCG36B41S	CF/CM/CU36D	24.5	1000 - 1400	1200	34.6	25.2	14.50	12.50
TCG36B41S	CF/CM/CU42C	21	1000 - 1400	1200	35.4	25.6	15.00	12.50
TCG36B41S	CF/CM/CU42D	24.5	1000 - 1400	1200	35.4	25.6	15.00	12.50
TCG36B41S	CF/CM/CU48C	21	1000 - 1400	1200	36.0	26.4	15.50	12.75
TCG36B41S	CF/CM/CU48D	24.5	1000 - 1400	1200	36.0	26.4	15.25	12.75
TCG36B41S	CF/CM/CU60C	21	1000 - 1400	1200	36.0	26.0	15.25	12.75
TCG36B41S	CF/CM/CU60D	24.5	1000 - 1400	1200	36.0	26.0	15.25	12.75
TCG36B41S	CF42B	17.5	1000 - 1400	1200	35.4	25.6	15.00	12.50
TCG48B31S	CF/CM/CU48C	21	1400 - 1800	1500	45.0	32.6	14.75	12.25
TCG48B31S	CF/CM/CU48D	24.5	1400 - 1800	1500	45.0	32.6	14.75	12.25
TCG48B31S	CF/CM/CU60C	21	1400 - 1800	1500	45.5	33.0	15.50	12.75
TCG48B31S	CF/CM/CU60D	24.5	1400 - 1800	1500	46.0	33.4	15.25	12.75
TCG48B31S	CF/CM64D	24.5	1400 - 1800	1500	47.0	33.8	15.50	13.00
TCG48B41S	CF/CM/CU48C	21	1400 - 1800	1500	45.0	32.4	14.75	12.25
TCG48B41S	CF/CM/CU48D	24.5	1400 - 1800	1500	45.0	32.4	14.75	12.25
TCG48B41S	CF/CM/CU60C	21	1400 - 1800	1500	45.5	33.0	15.50	12.75
TCG48B41S	CF/CM/CU60D	24.5	1400 - 1800	1500	46.0	33.4	15.25	12.75
TCG48B41S	CF/CM64D	24.5	1400 - 1800	1500	47.0	34.0	15.50	13.00
TCG60B31S	CF/CM/CU60C	21	1520 - 1920	1725	56.5	40.0	14.50	12.00
TCG60B31S	CF/CM/CU60D	24.5	1520 - 1920	1725	56.5	40.0	14.50	12.00
TCG60B31S	CF/CM64D	24.5	1520 - 1920	1725	57.5	40.5	15.00	12.75
TCG60B41S	CF/CM/CU60C	21	1520 - 1920	1725	56.5	40.0	14.50	12.00
TCG60B41S	CF/CM/CU60D	24.5	1520 - 1920	1725	56.5	40.0	14.50	12.00
TCG60B41S	CF/CM64D	24.5	1520 - 1920	1725	57.5	40.5	15.00	12.75

For rated condition information, see the footnotes below the System Capacity - Single Piece and Modular Air Handlers table.

1. Systems matched with furnaces or air handlers not equipped with blower-off delays may require 60 second time delay.

— = Not Applicable.

MP Modular Air Handlers use Coil Only Ratings.

PSC furnaces, such as the TG8S, TGLS, and TG9S, use Coil Only Ratings.

COOLING CAPACITY - With High Efficiency Motor Furnaces¹

UNIT MODEL	FURNACE		COIL MODEL ²	COOLING				
	MODEL	WIDTH		RATED CFM	NET MBH		SEER	EER
					TOTAL	SENS.		
TCG36B31S	TL8E060A12UH11	14.5	CF/CM/CU36B	1025	34.6	27.0	15.50	12.75
TCG36B31S	TL8E060A12UH11	14.5	CF42B	1025	35.4	26.8	16.00	13.25
TCG36B31S	TL8E080C16UH11	21.0	CF/CM/CU36C	1125	34.6	28.5	16.00	13.50
TCG36B31S	TL8E080C16UH11	21.0	CF/CM/CU42C	1125	35.4	28.2	16.50	13.75
TCG36B31S	TL8E080C16UH11	21.0	CF/CM/CU48C	1125	36.0	28.6	16.75	13.75
TCG36B31S	TL8E080C16UH11	21.0	CF/CM/CU48D	1125	36.0	28.6	16.50	13.75
TCG36B31S	TL8E080C16UH11	21.0	CF/CM/CU60C	1125	36.0	28.1	16.50	13.75
TCG36B31S	TL8E080C16UH11	21.0	CF/CM/CU60D	1125	36.0	28.1	16.50	13.75
TCG36B31S	TL8E080C16UH11	21.0	CF/CM36D	1125	34.6	28.5	16.00	13.50
TCG36B31S	TL8E080C16UH11	21.0	CF/CM42D	1125	35.4	28.2	16.50	13.75
TCG36B31S	TL8E100C20UH11	21.0	CF/CM/CU36C	1050	34.6	27.3	16.25	13.50
TCG36B31S	TL8E100C20UH11	21.0	CF/CM/CU42C	1050	35.4	27.5	16.75	13.75
TCG36B31S	TL8E100C20UH11	21.0	CF/CM/CU48C	1050	36.0	27.5	17.00	14.00
TCG36B31S	TL8E100C20UH11	21.0	CF/CM/CU48D	1050	36.0	27.5	16.75	14.00
TCG36B31S	TL8E100C20UH11	21.0	CF/CM/CU60C	1050	36.0	27.2	16.75	14.00
TCG36B31S	TL8E100C20UH11	21.0	CF/CM/CU60D	1075	36.0	27.6	16.75	14.00
TCG36B31S	TL8E100C20UH11	21.0	CF/CM36D	1050	34.6	27.3	16.50	13.75
TCG36B31S	TL8E100C20UH11	21.0	CF/CM42D	1050	35.4	27.5	16.75	14.00
TCG36B31S	TL9E060B12UH11	17.5	CF/CM/CU36B	1025	34.6	27.0	15.25	12.50
TCG36B31S	TL9E060B12UH11	17.5	CF/CM/CU36C	1050	34.6	27.0	15.25	12.50
TCG36B31S	TL9E060B12UH11	17.5	CF/CM/CU42C	1050	35.4	27.2	15.75	13.00
TCG36B31S	TL9E060B12UH11	17.5	CF/CM/CU48C	1050	36.0	27.2	15.75	13.00
TCG36B31S	TL9E060B12UH11	17.5	CF/CM/CU60C	1050	36.0	26.9	15.50	12.75
TCG36B31S	TL9E060B12UH11	17.5	CF42B	1025	35.4	26.7	15.50	12.75
TCG36B31S	TL9E080C16UH11	21.0	CF/CM/CU36C	1075	34.6	27.7	15.75	13.00
TCG36B31S	TL9E080C16UH11	21.0	CF/CM/CU42C	1075	35.4	27.8	16.25	13.50
TCG36B31S	TL9E080C16UH11	21.0	CF/CM/CU48C	1075	36.0	27.8	16.50	13.75
TCG36B31S	TL9E080C16UH11	21.0	CF/CM/CU48D	1100	36.0	28.2	16.50	13.50
TCG36B31S	TL9E080C16UH11	21.0	CF/CM/CU60C	1075	36.0	27.5	16.25	13.50
TCG36B31S	TL9E080C16UH11	21.0	CF/CM/CU60D	1100	36.0	27.6	16.25	13.50
TCG36B31S	TL9E080C16UH11	21.0	CF/CM36D	1100	34.6	27.8	16.00	13.50
TCG36B31S	TL9E080C16UH11	21.0	CF/CM42D	1100	35.4	27.8	16.25	13.50
TCG36B31S	TL9E100C20UH11	21.0	CF/CM/CU36C	1125	34.6	28.5	16.25	13.50
TCG36B31S	TL9E100C20UH11	21.0	CF/CM/CU42C	1125	35.4	28.2	16.50	13.75
TCG36B31S	TL9E100C20UH11	21.0	CF/CM/CU48C	1125	36.0	28.6	16.75	14.00
TCG36B31S	TL9E100C20UH11	21.0	CF/CM/CU48D	1150	36.0	28.7	16.75	14.00
TCG36B31S	TL9E100C20UH11	21.0	CF/CM/CU60C	1125	36.0	28.0	16.75	13.75
TCG36B31S	TL9E100C20UH11	21.0	CF/CM/CU60D	1150	36.0	28.1	16.75	13.75
TCG36B31S	TL9E100C20UH11	21.0	CF/CM36D	1150	34.6	28.9	16.25	13.50
TCG36B31S	TL9E100C20UH11	21.0	CF/CM42D	1150	35.4	28.7	16.75	13.75
TCG36B31S	TM8E040A12MP11	14.5	CF/CM/CU36B	1025	34.6	27.1	15.75	13.00
TCG36B31S	TM8E040A12MP11	14.5	CF42B	1000	35.4	26.4	16.00	13.25
TCG36B31S	TM8E060A12MP11	14.5	CF/CM/CU36B	1025	34.6	27.1	15.75	13.00
TCG36B31S	TM8E060A12MP11	14.5	CF42B	1000	35.4	26.4	16.00	13.25
TCG36B31S	TM8E080B12MP11	17.5	CF/CM/CU36B	1025	34.6	27.1	15.75	13.00
TCG36B31S	TM8E080B12MP11	17.5	CF/CM/CU36C	1050	34.6	27.2	15.75	13.00
TCG36B31S	TM8E080B12MP11	17.5	CF/CM/CU42C	1050	35.4	27.3	16.00	13.50
TCG36B31S	TM8E080B12MP11	17.5	CF/CM/CU48C	1050	36.0	27.3	16.25	13.50
TCG36B31S	TM8E080B12MP11	17.5	CF/CM/CU60C	1050	36.0	27.0	16.00	13.25
TCG36B31S	TM8E080B12MP11	17.5	CF42B	1025	35.4	26.8	16.00	13.25
TCG36B31S	TM8E080C16MP11	21.0	CF/CM/CU36C	1100	34.6	28.0	16.25	13.50
TCG36B31S	TM8E080C16MP11	21.0	CF/CM/CU42C	1100	35.4	27.8	16.50	13.75
TCG36B31S	TM8E080C16MP11	21.0	CF/CM/CU48C	1100	36.0	28.2	16.75	13.75

COOLING CAPACITY - With High Efficiency Motor Furnaces¹ (Continued)

UNIT MODEL	FURNACE		COIL MODEL ²	COOLING				
	MODEL	WIDTH		RATED CFM	NET MBH		SEER	EER
					TOTAL	SENS.		
TCG36B31S	TM8E080C16MP11	21.0	CF/CM/CU48D	1100	36.0	28.2	16.50	13.75
TCG36B31S	TM8E080C16MP11	21.0	CF/CM/CU60C	1275	36.0	29.7	16.25	13.50
TCG36B31S	TM8E080C16MP11	21.0	CF/CM/CU60D	1125	36.0	28.0	16.50	13.75
TCG36B31S	TM8E080C16MP11	21.0	CF/CM36D	1125	34.6	28.5	16.25	13.50
TCG36B31S	TM8E080C16MP11	21.0	CF/CM42D	1125	35.4	28.2	16.50	13.75
TCG36B31S	TM8E080C20MP11	21.0	CF/CM/CU36C	1250	34.6	29.8	16.00	13.50
TCG36B31S	TM8E080C20MP11	21.0	CF/CM/CU42C	1250	35.4	29.7	16.50	13.75
TCG36B31S	TM8E080C20MP11	21.0	CF/CM/CU48C	1250	36.0	29.8	16.75	13.75
TCG36B31S	TM8E080C20MP11	21.0	CF/CM/CU48D	1275	36.0	30.6	16.50	13.75
TCG36B31S	TM8E080C20MP11	21.0	CF/CM/CU60C	1250	36.0	29.4	16.75	13.75
TCG36B31S	TM8E080C20MP11	21.0	CF/CM/CU60D	1275	36.0	30.1	16.50	13.75
TCG36B31S	TM8E080C20MP11	21.0	CF/CM36D	1275	34.6	30.1	16.25	13.50
TCG36B31S	TM8E080C20MP11	21.0	CF/CM42D	1275	35.4	30.3	16.75	13.75
TCG36B31S	TM8E100B12MP11	17.5	CF/CM/CU36B	1075	34.6	27.7	15.75	13.00
TCG36B31S	TM8E100B12MP11	17.5	CF/CM/CU36C	1100	34.6	27.8	15.75	13.00
TCG36B31S	TM8E100B12MP11	17.5	CF/CM/CU42C	1100	35.4	27.6	16.00	13.50
TCG36B31S	TM8E100B12MP11	17.5	CF/CM/CU48C	1100	36.0	28.3	16.25	13.50
TCG36B31S	TM8E100B12MP11	17.5	CF/CM/CU60C	1100	36.0	27.4	16.00	13.25
TCG36B31S	TM8E100B12MP11	17.5	CF42B	1050	35.4	27.2	16.00	13.25
TCG36B31S	TM8E100C16MP11	21.0	CF/CM/CU36C	1125	34.6	28.5	16.00	13.50
TCG36B31S	TM8E100C16MP11	21.0	CF/CM/CU42C	1125	35.4	28.2	16.50	13.75
TCG36B31S	TM8E100C16MP11	21.0	CF/CM/CU48C	1125	36.0	28.6	16.75	13.75
TCG36B31S	TM8E100C16MP11	21.0	CF/CM/CU48D	1125	36.0	28.6	16.50	13.75
TCG36B31S	TM8E100C16MP11	21.0	CF/CM/CU60C	1125	36.0	28.1	16.75	13.75
TCG36B31S	TM8E100C16MP11	21.0	CF/CM/CU60D	1125	36.0	28.1	16.50	13.75
TCG36B31S	TM8E100C16MP11	21.0	CF/CM36D	1125	34.6	28.5	16.25	13.50
TCG36B31S	TM8E100C16MP11	21.0	CF/CM42D	1125	35.4	28.2	16.50	13.75
TCG36B31S	TM8E100C20MP11	21.0	CF/CM/CU36C	1250	34.6	29.8	16.00	13.50
TCG36B31S	TM8E100C20MP11	21.0	CF/CM/CU42C	1250	35.4	29.7	16.50	13.75
TCG36B31S	TM8E100C20MP11	21.0	CF/CM/CU48C	1250	36.0	29.8	16.75	13.75
TCG36B31S	TM8E100C20MP11	21.0	CF/CM/CU48D	1275	36.0	30.6	16.50	13.75
TCG36B31S	TM8E100C20MP11	21.0	CF/CM/CU60C	1250	36.0	29.4	16.50	13.75
TCG36B31S	TM8E100C20MP11	21.0	CF/CM/CU60D	1275	36.0	30.1	16.50	13.75
TCG36B31S	TM8E100C20MP11	21.0	CF/CM36D	1275	34.6	30.1	16.25	13.50
TCG36B31S	TM8E100C20MP11	21.0	CF/CM42D	1275	35.4	30.3	16.75	13.75
TCG36B31S	TM8E120C16MP11	21.0	CF/CM/CU36C	1125	34.6	28.5	16.00	13.50
TCG36B31S	TM8E120C16MP11	21.0	CF/CM/CU42C	1125	35.4	28.2	16.50	13.75
TCG36B31S	TM8E120C16MP11	21.0	CF/CM/CU48C	1125	36.0	28.6	16.75	13.75
TCG36B31S	TM8E120C16MP11	21.0	CF/CM/CU48D	1125	36.0	28.6	16.50	13.75
TCG36B31S	TM8E120C16MP11	21.0	CF/CM/CU60C	1125	36.0	28.1	16.75	13.75
TCG36B31S	TM8E120C16MP11	21.0	CF/CM/CU60D	1125	36.0	28.1	16.50	13.75
TCG36B31S	TM8E120C16MP11	21.0	CF/CM36D	1125	34.6	28.5	16.25	13.50
TCG36B31S	TM8E120C16MP11	21.0	CF/CM42D	1125	35.4	28.2	16.50	13.75
TCG36B31S	TM8E120C20MP11	21.0	CF/CM/CU36C	1275	34.6	30.1	16.00	13.25
TCG36B31S	TM8E120C20MP11	21.0	CF/CM/CU42C	1275	35.4	30.3	16.50	13.75
TCG36B31S	TM8E120C20MP11	21.0	CF/CM/CU48C	1300	36.0	30.6	16.75	14.00
TCG36B31S	TM8E120C20MP11	21.0	CF/CM/CU48D	1300	36.0	30.6	16.50	13.75
TCG36B31S	TM8E120C20MP11	21.0	CF/CM/CU60C	1275	36.0	30.2	16.50	13.75
TCG36B31S	TM8E120C20MP11	21.0	CF/CM/CU60D	1325	36.0	29.2	16.50	13.75
TCG36B31S	TM8E120C20MP11	21.0	CF/CM36D	1300	34.6	28.2	15.75	13.00
TCG36B31S	TM8E120C20MP11	21.0	CF/CM42D	1300	35.4	30.7	16.50	13.75
TCG36B31S	TM8E130D20MP11	24.5	CF/CM/CU48D	1300	36.0	30.6	16.75	14.00
TCG36B31S	TM8E130D20MP11	24.5	CF/CM/CU60D	1325	36.0	29.2	16.75	14.00

COOLING CAPACITY - With High Efficiency Motor Furnaces¹ (Continued)

UNIT MODEL	FURNACE		COIL MODEL ²	COOLING				
	MODEL	WIDTH		RATED CFM	NET MBH		SEER	EER
					TOTAL	SENS.		
TCG36B31S	TM8E130D20MP11	24.5	CF/CM36D	1300	34.6	28.2	15.75	13.00
TCG36B31S	TM8E130D20MP11	24.5	CF/CM42D	1300	35.4	30.7	16.50	13.75
TCG36B31S	TM8V080C16MP11C	21.0	CF/CM/CU36C	1050	34.6	26.0	16.20	13.50
TCG36B31S	TM8V080C16MP11C	21.0	CF/CM/CU42C	1075	36.0	26.2	16.25	13.50
TCG36B31S	TM8V080C16MP11C	21.0	CF/CM/CU48C	1075	36.0	26.6	16.50	13.75
TCG36B31S	TM8V080C16MP11C	21.0	CF/CM/CU48D	1050	36.0	26.4	16.50	13.75
TCG36B31S	TM8V080C16MP11C	21.0	CF/CM/CU60C	1075	36.0	26.4	16.50	13.75
TCG36B31S	TM8V080C16MP11C	21.0	CF/CM/CU60D	1075	36.0	26.6	16.50	14.00
TCG36B31S	TM8V080C16MP12C	21.0	CF/CM/CU36C	1150	34.6	28.3	16.25	13.50
TCG36B31S	TM8V080C16MP12C	21.0	CF/CM/CU42C	1200	36.0	29.0	16.25	13.50
TCG36B31S	TM8V080C16MP12C	21.0	CF/CM/CU48C	1150	36.0	28.2	16.50	13.75
TCG36B31S	TM8V080C16MP12C	21.0	CF/CM/CU60C	1200	36.0	29.2	16.50	13.75
TCG36B31S	TM8V100C16MP11C	21.0	CF/CM/CU36C	1050	34.6	26.0	16.20	13.50
TCG36B31S	TM8V100C16MP11C	21.0	CF/CM/CU42C	1075	36.0	26.2	16.25	13.50
TCG36B31S	TM8V100C16MP11C	21.0	CF/CM/CU48C	1075	36.0	26.6	16.50	13.75
TCG36B31S	TM8V100C16MP11C	21.0	CF/CM/CU48D	1050	36.0	26.4	16.50	13.75
TCG36B31S	TM8V100C16MP11C	21.0	CF/CM/CU60C	1075	36.0	26.4	16.50	13.75
TCG36B31S	TM8V100C16MP11C	21.0	CF/CM/CU60D	1075	36.0	26.6	16.50	14.00
TCG36B31S	TM8V100C16MP12C	21.0	CF/CM/CU36C	1150	34.6	28.3	16.25	13.50
TCG36B31S	TM8V100C16MP12C	21.0	CF/CM/CU42C	1200	36.0	29.0	16.25	13.50
TCG36B31S	TM8V100C16MP12C	21.0	CF/CM/CU48C	1150	36.0	28.2	16.50	13.75
TCG36B31S	TM8V100C16MP12C	21.0	CF/CM/CU60C	1200	36.0	29.2	16.50	13.75
TCG36B31S	TM8V100C20MP11C	21.0	CF/CM/CU36C	1150	34.6	27.2	15.75	13.50
TCG36B31S	TM8V100C20MP11C	21.0	CF/CM/CU42C	1150	36.0	27.2	16.25	13.50
TCG36B31S	TM8V100C20MP11C	21.0	CF/CM/CU48C	1250	36.0	28.4	16.25	13.75
TCG36B31S	TM8V100C20MP11C	21.0	CF/CM/CU48D	1125	36.0	26.8	16.25	13.50
TCG36B31S	TM8V100C20MP11C	21.0	CF/CM/CU60C	1225	36.0	28.2	16.50	13.75
TCG36B31S	TM8V100C20MP11C	21.0	CF/CM/CU60D	1225	36.0	28.2	16.50	13.50
TCG36B31S	TM8V100C20MP12C	21.0	CF/CM/CU36C	1150	34.8	28.4	16.00	13.50
TCG36B31S	TM8V100C20MP12C	21.0	CF/CM/CU42C	1225	36.0	29.5	16.50	13.50
TCG36B31S	TM8V100C20MP12C	21.0	CF/CM/CU48C	1150	36.0	28.3	16.50	13.75
TCG36B31S	TM8V100C20MP12C	21.0	CF/CM/CU60C	1225	36.0	29.7	16.75	13.75
TCG36B31S	TM8V120C20MP11C	21.0	CF/CM/CU36C	1150	34.6	27.2	15.75	13.50
TCG36B31S	TM8V120C20MP11C	21.0	CF/CM/CU42C	1150	36.0	27.2	16.25	13.50
TCG36B31S	TM8V120C20MP11C	21.0	CF/CM/CU48C	1250	36.0	28.4	16.25	13.75
TCG36B31S	TM8V120C20MP11C	21.0	CF/CM/CU48D	1125	36.0	26.8	16.25	13.50
TCG36B31S	TM8V120C20MP11C	21.0	CF/CM/CU60C	1225	36.0	28.2	16.50	13.75
TCG36B31S	TM8V120C20MP11C	21.0	CF/CM/CU60D	1225	36.0	28.2	16.50	13.50
TCG36B31S	TM8V120C20MP12C	21.0	CF/CM/CU36C	1150	34.8	28.4	16.00	13.50
TCG36B31S	TM8V120C20MP12C	21.0	CF/CM/CU42C	1225	36.0	29.5	16.50	13.50
TCG36B31S	TM8V120C20MP12C	21.0	CF/CM/CU48C	1150	36.0	28.3	16.50	13.75
TCG36B31S	TM8V120C20MP12C	21.0	CF/CM/CU60C	1225	36.0	29.7	16.75	13.75
TCG36B31S	TM8X060A12MP11	14.5	CF/CM36A	975	34.6	24.8	15.50	13.25
TCG36B31S	TM8X080B12MP11	17.5	CF/CM/CU36B	1000	34.6	25.2	15.75	13.50
TCG36B31S	TM8X080B12MP11	17.5	CF42B	1000	35.4	25.2	16.20	13.50
TCG36B31S	TM8X080C16MP11	21.0	CF/CM/CU36C	1050	34.6	26.2	16.25	13.75
TCG36B31S	TM8X080C16MP11	21.0	CF/CM/CU42C	1050	35.4	26.0	16.50	13.75
TCG36B31S	TM8X080C16MP11	21.0	CF/CM/CU48C	1050	36.0	26.4	17.00	14.00
TCG36B31S	TM8X080C16MP11	21.0	CF/CM/CU48D	1075	36.0	26.6	17.00	14.00
TCG36B31S	TM8X080C16MP11	21.0	CF/CM/CU60C	1050	36.0	26.2	17.00	14.00
TCG36B31S	TM8X080C16MP11	21.0	CF/CM/CU60D	1075	36.0	26.6	17.00	14.00
TCG36B31S	TM8X080C16MP11	21.0	CF/CM36D	1075	34.6	26.2	16.50	13.75
TCG36B31S	TM8X080C16MP11	21.0	CF/CM42D	1075	35.4	26.4	16.50	14.00

COOLING CAPACITY - With High Efficiency Motor Furnaces¹ (Continued)

UNIT MODEL	FURNACE		COIL MODEL ²	COOLING				
	MODEL	WIDTH		RATED CFM	NET MBH		SEER	EER
					TOTAL	SENS.		
TCG36B31S	TM8X100C16MP11	21.0	CF/CM/CU36C	1050	34.6	26.2	16.25	13.75
TCG36B31S	TM8X100C16MP11	21.0	CF/CM/CU42C	1050	35.4	26.0	16.50	13.75
TCG36B31S	TM8X100C16MP11	21.0	CF/CM/CU48C	1050	36.0	26.4	17.00	14.00
TCG36B31S	TM8X100C16MP11	21.0	CF/CM/CU48D	1075	36.0	26.6	17.00	14.00
TCG36B31S	TM8X100C16MP11	21.0	CF/CM/CU60C	1050	36.0	26.2	17.00	14.00
TCG36B31S	TM8X100C16MP11	21.0	CF/CM/CU60D	1075	36.0	26.6	17.00	14.00
TCG36B31S	TM8X100C16MP11	21.0	CF/CM36D	1075	34.6	26.2	16.50	13.75
TCG36B31S	TM8X100C16MP11	21.0	CF/CM42D	1075	35.4	26.4	16.50	14.00
TCG36B31S	TM8X100C20MP11	21.0	CF/CM/CU36C	1075	34.6	26.2	16.25	13.75
TCG36B31S	TM8X100C20MP11	21.0	CF/CM/CU42C	1075	35.4	26.4	16.50	14.00
TCG36B31S	TM8X100C20MP11	21.0	CF/CM/CU48C	1075	36.0	26.6	17.00	14.00
TCG36B31S	TM8X100C20MP11	21.0	CF/CM/CU48D	1100	36.0	26.8	17.00	14.00
TCG36B31S	TM8X100C20MP11	21.0	CF/CM/CU60C	1075	36.0	26.6	17.00	14.25
TCG36B31S	TM8X100C20MP11	21.0	CF/CM/CU60D	1075	36.0	26.6	17.00	14.25
TCG36B31S	TM8X100C20MP11	21.0	CF/CM36D	1100	34.6	26.2	16.50	13.75
TCG36B31S	TM8X100C20MP11	21.0	CF/CM42D	1100	35.4	26.6	16.50	14.00
TCG36B31S	TM8X120C20MP11	21.0	CF/CM/CU36C	1075	34.6	26.2	16.25	13.75
TCG36B31S	TM8X120C20MP11	21.0	CF/CM/CU42C	1075	35.4	26.4	16.50	14.00
TCG36B31S	TM8X120C20MP11	21.0	CF/CM/CU48C	1075	36.0	26.6	17.00	14.00
TCG36B31S	TM8X120C20MP11	21.0	CF/CM/CU48D	1100	36.0	26.8	17.00	14.00
TCG36B31S	TM8X120C20MP11	21.0	CF/CM/CU60C	1075	36.0	26.6	17.00	14.25
TCG36B31S	TM8X120C20MP11	21.0	CF/CM/CU60D	1075	36.0	26.6	17.00	14.25
TCG36B31S	TM8X120C20MP11	21.0	CF/CM36D	1100	34.6	26.2	16.50	13.75
TCG36B31S	TM8X120C20MP11	21.0	CF/CM42D	1100	35.4	26.6	16.50	14.00
TCG36B31S	TM8Y060A12MP11	14.5	CF/CM36A	975	34.6	24.8	15.50	13.25
TCG36B31S	TM8Y080B12MP11	17.5	CF/CM/CU36B	1000	34.6	25.2	15.75	13.50
TCG36B31S	TM8Y080B12MP11	17.5	CF42B	1000	35.4	25.2	16.20	13.50
TCG36B31S	TM8Y080C16MP11	21.0	CF/CM/CU36C	1050	34.6	26.2	16.25	13.75
TCG36B31S	TM8Y080C16MP11	21.0	CF/CM/CU42C	1050	35.4	26.0	16.50	13.75
TCG36B31S	TM8Y080C16MP11	21.0	CF/CM/CU48C	1050	36.0	26.4	17.00	14.00
TCG36B31S	TM8Y080C16MP11	21.0	CF/CM/CU48D	1075	36.0	26.6	17.00	14.00
TCG36B31S	TM8Y080C16MP11	21.0	CF/CM/CU60C	1050	36.0	26.2	17.00	14.00
TCG36B31S	TM8Y080C16MP11	21.0	CF/CM/CU60D	1075	36.0	26.6	17.00	14.00
TCG36B31S	TM8Y080C16MP11	21.0	CF/CM36D	1075	34.6	26.2	16.50	13.75
TCG36B31S	TM8Y080C16MP11	21.0	CF/CM42D	1075	35.4	26.4	16.50	14.00
TCG36B31S	TM8Y100C16MP11	21.0	CF/CM/CU36C	1050	34.6	26.2	16.25	13.75
TCG36B31S	TM8Y100C16MP11	21.0	CF/CM/CU42C	1050	35.4	26.0	16.50	13.75
TCG36B31S	TM8Y100C16MP11	21.0	CF/CM/CU48C	1050	36.0	26.4	17.00	14.00
TCG36B31S	TM8Y100C16MP11	21.0	CF/CM/CU48D	1075	36.0	26.6	17.00	14.00
TCG36B31S	TM8Y100C16MP11	21.0	CF/CM/CU60C	1050	36.0	26.2	17.00	14.00
TCG36B31S	TM8Y100C16MP11	21.0	CF/CM/CU60D	1075	36.0	26.6	17.00	14.00
TCG36B31S	TM8Y100C16MP11	21.0	CF/CM36D	1075	34.6	26.2	16.50	13.75
TCG36B31S	TM8Y100C16MP11	21.0	CF/CM42D	1075	35.4	26.4	16.50	14.00
TCG36B31S	TM8Y100C20MP11	21.0	CF/CM/CU36C	1075	34.6	26.2	16.25	13.75
TCG36B31S	TM8Y100C20MP11	21.0	CF/CM/CU42C	1075	35.4	26.4	16.50	14.00
TCG36B31S	TM8Y100C20MP11	21.0	CF/CM/CU48C	1075	36.0	26.6	17.00	14.00
TCG36B31S	TM8Y100C20MP11	21.0	CF/CM/CU48D	1100	36.0	26.8	17.00	14.00
TCG36B31S	TM8Y100C20MP11	21.0	CF/CM/CU60C	1075	36.0	26.6	17.00	14.25
TCG36B31S	TM8Y100C20MP11	21.0	CF/CM/CU60D	1075	36.0	26.6	17.00	14.25
TCG36B31S	TM8Y100C20MP11	21.0	CF/CM36D	1100	34.6	26.2	16.50	13.75
TCG36B31S	TM8Y100C20MP11	21.0	CF/CM42D	1100	35.4	26.6	16.50	14.00
TCG36B31S	TM8Y120C20MP11	21.0	CF/CM/CU36C	1075	34.6	26.2	16.25	13.75
TCG36B31S	TM8Y120C20MP11	21.0	CF/CM/CU42C	1075	35.4	26.4	16.50	14.00

COOLING CAPACITY - With High Efficiency Motor Furnaces¹ (Continued)

UNIT MODEL	FURNACE		COIL MODEL ²	COOLING				
	MODEL	WIDTH		RATED CFM	NET MBH		SEER	EER
					TOTAL	SENS.		
TCG36B31S	TM8Y120C20MP11	21.0	CF/CM/CU48C	1075	36.0	26.6	17.00	14.00
TCG36B31S	TM8Y120C20MP11	21.0	CF/CM/CU48D	1100	36.0	26.8	17.00	14.00
TCG36B31S	TM8Y120C20MP11	21.0	CF/CM/CU60C	1075	36.0	26.6	17.00	14.25
TCG36B31S	TM8Y120C20MP11	21.0	CF/CM/CU60D	1075	36.0	26.6	17.00	14.25
TCG36B31S	TM8Y120C20MP11	21.0	CF/CM36D	1100	34.6	26.2	16.50	13.75
TCG36B31S	TM8Y120C20MP11	21.0	CF/CM42D	1100	35.4	26.6	16.50	14.00
TCG36B31S	TM9E060A10MP12	14.5	CF/CM/CU36B	1025	34.6	26.8	15.00	12.50
TCG36B31S	TM9E060A10MP12	14.5	CF42B	1025	35.4	26.7	15.25	12.50
TCG36B31S	TM9E060B12MP11	17.5	CF/CM/CU36B	1100	34.6	27.5	15.25	12.50
TCG36B31S	TM9E060B12MP11	17.5	CF/CM/CU36C	975	34.6	26.4	15.25	12.50
TCG36B31S	TM9E060B12MP11	17.5	CF/CM/CU42C	975	35.4	26.1	15.50	12.75
TCG36B31S	TM9E060B12MP11	17.5	CF/CM/CU48C	975	36.0	26.5	15.75	13.00
TCG36B31S	TM9E060B12MP11	17.5	CF/CM/CU60C	975	36.0	25.8	15.75	13.00
TCG36B31S	TM9E060B12MP11	17.5	CF42B	1100	35.4	27.5	15.50	12.75
TCG36B31S	TM9E060B12MP12	17.5	CF/CM/CU36B	1075	34.6	27.6	15.00	12.50
TCG36B31S	TM9E060B12MP12	17.5	CF/CM/CU36C	1100	34.6	27.7	15.25	12.50
TCG36B31S	TM9E060B12MP12	17.5	CF/CM/CU42C	1100	35.4	27.5	15.50	12.75
TCG36B31S	TM9E060B12MP12	17.5	CF/CM/CU48C	1100	36.0	27.9	15.75	13.00
TCG36B31S	TM9E060B12MP12	17.5	CF/CM/CU60C	1100	36.0	27.3	15.50	12.75
TCG36B31S	TM9E060B12MP12	17.5	CF42B	1050	35.4	27.0	15.50	12.75
TCG36B31S	TM9E080B12MP11	17.5	CF/CM/CU36B	975	34.6	24.8	15.50	13.25
TCG36B31S	TM9E080B12MP11	17.5	CF42B	975	35.4	25.2	16.20	13.25
TCG36B31S	TM9E080B12MP12	17.5	CF/CM/CU36B	1050	34.6	27.0	15.50	12.75
TCG36B31S	TM9E080B12MP12	17.5	CF/CM/CU36C	1075	34.6	27.7	15.75	13.00
TCG36B31S	TM9E080B12MP12	17.5	CF/CM/CU42C	1075	35.4	27.6	16.00	13.25
TCG36B31S	TM9E080B12MP12	17.5	CF/CM/CU48C	1075	36.0	27.8	16.00	13.25
TCG36B31S	TM9E080B12MP12	17.5	CF/CM/CU60C	1075	36.0	27.3	16.00	13.25
TCG36B31S	TM9E080B12MP12	17.5	CF42B	1025	35.4	26.8	15.75	13.00
TCG36B31S	TM9E080C16MP11	21.0	CF/CM/CU36C	975	34.6	26.5	16.00	13.50
TCG36B31S	TM9E080C16MP11	21.0	CF/CM/CU42C	975	35.4	26.2	16.25	13.50
TCG36B31S	TM9E080C16MP11	21.0	CF/CM/CU48C	975	36.0	26.4	16.50	13.75
TCG36B31S	TM9E080C16MP11	21.0	CF/CM/CU48D	975	36.0	26.4	16.50	13.75
TCG36B31S	TM9E080C16MP11	21.0	CF/CM/CU60C	975	36.0	26.0	16.50	13.75
TCG36B31S	TM9E080C16MP11	21.0	CF/CM/CU60D	1000	36.0	26.3	16.50	13.75
TCG36B31S	TM9E080C16MP11	21.0	CF/CM36D	975	34.6	26.5	16.25	13.50
TCG36B31S	TM9E080C16MP11	21.0	CF/CM42D	975	35.4	26.2	16.50	13.75
TCG36B31S	TM9E080C16MP12	21.0	CF/CM/CU36C	1075	34.6	27.7	15.75	13.00
TCG36B31S	TM9E080C16MP12	21.0	CF/CM/CU42C	1075	35.4	27.8	16.25	13.50
TCG36B31S	TM9E080C16MP12	21.0	CF/CM/CU48C	1100	36.0	28.2	16.50	13.75
TCG36B31S	TM9E080C16MP12	21.0	CF/CM/CU48D	1100	36.0	28.2	16.50	13.50
TCG36B31S	TM9E080C16MP12	21.0	CF/CM/CU60C	1075	36.0	27.5	16.25	13.50
TCG36B31S	TM9E080C16MP12	21.0	CF/CM/CU60D	1100	36.0	27.6	16.25	13.50
TCG36B31S	TM9E080C16MP12	21.0	CF/CM36D	1100	34.6	27.8	16.00	13.50
TCG36B31S	TM9E080C16MP12	21.0	CF/CM42D	1100	35.4	27.8	16.25	13.50
TCG36B31S	TM9E080C20MP12	21.0	CF/CM/CU36C	1225	34.6	29.5	16.00	13.50
TCG36B31S	TM9E080C20MP12	21.0	CF/CM/CU42C	1225	35.4	29.3	16.50	13.75
TCG36B31S	TM9E080C20MP12	21.0	CF/CM/CU48C	1225	36.0	29.6	16.75	13.75
TCG36B31S	TM9E080C20MP12	21.0	CF/CM/CU48D	1250	36.0	29.8	16.50	13.75
TCG36B31S	TM9E080C20MP12	21.0	CF/CM/CU60C	1225	36.0	28.9	16.75	13.75
TCG36B31S	TM9E080C20MP12	21.0	CF/CM/CU60D	1250	36.0	29.4	16.50	13.75
TCG36B31S	TM9E080C20MP12	21.0	CF/CM36D	1250	34.6	29.8	16.25	13.50
TCG36B31S	TM9E080C20MP12	21.0	CF/CM42D	1250	35.4	29.7	16.75	14.00
TCG36B31S	TM9E100C16MP11	21.0	CF/CM/CU36C	1075	34.6	26.0	16.20	13.50

COOLING CAPACITY - With High Efficiency Motor Furnaces¹ (Continued)

UNIT MODEL	FURNACE		COIL MODEL ²	COOLING				
	MODEL	WIDTH		RATED CFM	NET MBH		SEER	EER
					TOTAL	SENS.		
TCG36B31S	TM9E100C16MP11	21.0	CF/CM/CU42C	1075	35.4	26.2	16.25	13.75
TCG36B31S	TM9E100C16MP11	21.0	CF/CM/CU48C	1075	36.0	26.6	16.50	13.75
TCG36B31S	TM9E100C16MP11	21.0	CF/CM/CU48D	1075	36.0	26.6	16.50	14.00
TCG36B31S	TM9E100C16MP11	21.0	CF/CM/CU60C	1075	36.0	26.6	16.50	14.00
TCG36B31S	TM9E100C16MP11	21.0	CF/CM/CU60D	1075	36.0	26.6	16.50	14.00
TCG36B31S	TM9E100C16MP11	21.0	CF/CM36D	1075	34.6	26.2	16.25	13.50
TCG36B31S	TM9E100C16MP11	21.0	CF/CM42D	1075	35.4	26.2	16.50	13.75
TCG36B31S	TM9E100C16MP12	21.0	CF/CM/CU36C	1075	34.6	27.9	16.00	13.50
TCG36B31S	TM9E100C16MP12	21.0	CF/CM/CU42C	1075	35.4	27.8	16.50	13.75
TCG36B31S	TM9E100C16MP12	21.0	CF/CM/CU48C	1075	36.0	28.0	16.75	13.75
TCG36B31S	TM9E100C16MP12	21.0	CF/CM/CU48D	1075	36.0	28.0	16.50	13.75
TCG36B31S	TM9E100C16MP12	21.0	CF/CM/CU60C	1075	36.0	27.4	16.50	13.75
TCG36B31S	TM9E100C16MP12	21.0	CF/CM/CU60D	1075	36.0	27.4	16.25	13.50
TCG36B31S	TM9E100C16MP12	21.0	CF/CM36D	1075	34.6	27.9	16.00	13.50
TCG36B31S	TM9E100C16MP12	21.0	CF/CM42D	1075	35.4	27.7	16.50	13.75
TCG36B31S	TM9E100C20MP11	21.0	CF/CM/CU36C	975	34.6	25.2	16.25	13.75
TCG36B31S	TM9E100C20MP11	21.0	CF/CM/CU42C	975	35.4	25.4	16.50	13.75
TCG36B31S	TM9E100C20MP11	21.0	CF/CM/CU48C	975	36.0	25.4	17.00	14.00
TCG36B31S	TM9E100C20MP11	21.0	CF/CM/CU48D	1000	36.0	25.4	17.00	14.00
TCG36B31S	TM9E100C20MP11	21.0	CF/CM/CU60C	1250	36.0	28.4	16.50	14.00
TCG36B31S	TM9E100C20MP11	21.0	CF/CM/CU60D	975	36.0	25.6	17.00	14.00
TCG36B31S	TM9E100C20MP11	21.0	CF/CM36D	975	34.6	25.2	16.25	13.75
TCG36B31S	TM9E100C20MP11	21.0	CF/CM42D	975	35.4	25.4	16.50	13.75
TCG36B31S	TM9E100C20MP12	21.0	CF/CM/CU36C	1200	34.6	29.2	16.00	13.50
TCG36B31S	TM9E100C20MP12	21.0	CF/CM/CU42C	1225	35.4	29.2	16.50	13.75
TCG36B31S	TM9E100C20MP12	21.0	CF/CM/CU48C	1225	36.0	29.6	16.75	13.75
TCG36B31S	TM9E100C20MP12	21.0	CF/CM/CU48D	1225	36.0	29.6	16.50	13.75
TCG36B31S	TM9E100C20MP12	21.0	CF/CM/CU60C	1225	36.0	28.9	16.75	14.00
TCG36B31S	TM9E100C20MP12	21.0	CF/CM/CU60D	1250	36.0	29.9	16.50	13.75
TCG36B31S	TM9E100C20MP12	21.0	CF/CM36D	1225	34.6	29.7	16.25	13.50
TCG36B31S	TM9E100C20MP12	21.0	CF/CM42D	1225	35.4	29.2	16.50	13.75
TCG36B31S	TM9E120D20MP11	24.5	CF/CM/CU48D	1000	36.0	25.4	17.00	14.00
TCG36B31S	TM9E120D20MP11	24.5	CF/CM/CU60D	975	36.0	25.6	17.00	14.25
TCG36B31S	TM9E120D20MP11	24.5	CF/CM36D	975	34.6	25.2	16.50	14.00
TCG36B31S	TM9E120D20MP11	24.5	CF/CM42D	975	35.4	25.4	16.50	14.00
TCG36B31S	TM9E120D20MP12	24.5	CF/CM/CU48D	1250	36.0	29.8	16.75	13.75
TCG36B31S	TM9E120D20MP12	24.5	CF/CM/CU60D	1250	36.0	29.4	16.50	13.75
TCG36B31S	TM9E120D20MP12	24.5	CF/CM36D	1250	34.6	29.8	16.00	13.50
TCG36B31S	TM9E120D20MP12	24.5	CF/CM42D	1250	35.4	29.7	16.50	13.75
TCG36B31S	TM9V060B12MP11C	17.5	CF/CM/CU36B	1050	34.6	26.0	15.75	13.25
TCG36B31S	TM9V060B12MP11C	17.5	CF/CM/CU36C	1000	34.6	26.4	15.25	12.50
TCG36B31S	TM9V060B12MP11C	17.5	CF/CM/CU42C	1000	35.4	26.4	15.75	13.00
TCG36B31S	TM9V060B12MP11C	17.5	CF/CM/CU48C	1000	36.0	26.7	15.75	13.00
TCG36B31S	TM9V060B12MP11C	17.5	CF/CM/CU60C	1000	36.0	26.2	15.75	13.00
TCG36B31S	TM9V060B12MP11C	17.5	CF42B	1050	35.4	25.8	16.20	13.50
TCG36B31S	TM9V060B12MP12C	17.5	CF/CM/CU36B	1000	34.6	26.2	15.50	12.75
TCG36B31S	TM9V060B12MP12C	17.5	CF/CM/CU36C	1000	34.6	26.4	15.25	12.50
TCG36B31S	TM9V060B12MP12C	17.5	CF/CM/CU42C	1000	35.4	26.4	15.75	13.00
TCG36B31S	TM9V060B12MP12C	17.5	CF/CM/CU48C	1000	36.0	26.7	15.75	13.00
TCG36B31S	TM9V060B12MP12C	17.5	CF/CM/CU60C	1000	36.0	26.2	15.75	13.00
TCG36B31S	TM9V060B12MP12C	17.5	CF42B	1000	35.4	26.3	15.75	13.00
TCG36B31S	TM9V080B12MP11C	17.5	CF/CM/CU36B	1050	34.6	26.0	15.75	13.25
TCG36B31S	TM9V080B12MP11C	17.5	CF42B	1050	35.4	25.8	16.20	13.50

COOLING CAPACITY - With High Efficiency Motor Furnaces¹ (Continued)

UNIT MODEL	FURNACE		COIL MODEL ²	COOLING				
	MODEL	WIDTH		RATED CFM	NET MBH		SEER	EER
					TOTAL	SENS.		
TCG36B31S	TM9V080B12MP12C	17.5	CF/CM/CU36B	1175	35.0	28.8	15.75	13.25
TCG36B31S	TM9V080B12MP12C	17.5	CF42B	1075	35.4	26.4	16.00	13.25
TCG36B31S	TM9V080C16MP11C	21.0	CF/CM/CU36C	1000	34.6	25.4	16.20	13.75
TCG36B31S	TM9V080C16MP11C	21.0	CF/CM/CU42C	1000	35.4	25.2	16.50	13.75
TCG36B31S	TM9V080C16MP11C	21.0	CF/CM/CU48C	1250	36.0	28.4	16.25	13.50
TCG36B31S	TM9V080C16MP11C	21.0	CF/CM/CU48D	1200	36.0	27.8	16.50	14.00
TCG36B31S	TM9V080C16MP11C	21.0	CF/CM/CU60C	1200	36.0	27.8	16.50	14.00
TCG36B31S	TM9V080C16MP11C	21.0	CF/CM/CU60D	1050	36.0	26.2	16.50	14.00
TCG36B31S	TM9V100C16MP11C	21.0	CF/CM/CU36C	1000	34.6	25.4	16.20	13.75
TCG36B31S	TM9V100C16MP11C	21.0	CF/CM/CU42C	1000	35.4	25.2	16.50	13.75
TCG36B31S	TM9V100C16MP11C	21.0	CF/CM/CU48C	1250	36.0	28.4	16.25	13.50
TCG36B31S	TM9V100C16MP11C	21.0	CF/CM/CU48D	1200	36.0	27.8	16.50	14.00
TCG36B31S	TM9V100C16MP11C	21.0	CF/CM/CU60C	1200	36.0	27.8	16.50	14.00
TCG36B31S	TM9V100C16MP11C	21.0	CF/CM/CU60D	1050	36.0	26.2	16.50	14.00
TCG36B31S	TM9V100C16MP12C	21.0	CF/CM/CU36C	1175	35.6	29.1	16.25	13.75
TCG36B31S	TM9V100C16MP12C	21.0	CF/CM/CU42C	1175	36.0	28.7	16.50	13.75
TCG36B31S	TM9V100C16MP12C	21.0	CF/CM/CU48C	1175	36.0	28.8	16.50	13.75
TCG36B31S	TM9V100C16MP12C	21.0	CF/CM/CU60C	1175	36.0	28.8	16.50	14.00
TCG36B31S	TM9V100C20MP11C	21.0	CF/CM/CU36C	1075	34.6	26.0	15.75	13.50
TCG36B31S	TM9V100C20MP11C	21.0	CF/CM/CU42C	1250	35.4	28.0	15.75	13.25
TCG36B31S	TM9V100C20MP11C	21.0	CF/CM/CU48C	1175	36.0	27.4	16.25	13.50
TCG36B31S	TM9V100C20MP11C	21.0	CF/CM/CU48D	1250	36.0	28.4	16.25	13.50
TCG36B31S	TM9V100C20MP11C	21.0	CF/CM/CU60C	1175	36.0	27.6	16.25	13.50
TCG36B31S	TM9V100C20MP11C	21.0	CF/CM/CU60D	1175	36.0	27.6	16.50	13.75
TCG36B31S	TM9V100C20MP12C	21.0	CF/CM/CU36C	1225	35.2	29.4	15.75	13.50
TCG36B31S	TM9V100C20MP12C	21.0	CF/CM/CU42C	1225	35.4	29.4	16.25	13.50
TCG36B31S	TM9V100C20MP12C	21.0	CF/CM/CU48C	1225	36.0	29.6	16.25	13.50
TCG36B31S	TM9V100C20MP12C	21.0	CF/CM/CU60C	1225	36.0	29.8	16.50	13.50
TCG36B31S	TM9V120D20MP11C	24.5	CF/CM/CU48D	1225	36.0	28.0	16.50	13.75
TCG36B31S	TM9V120D20MP11C	24.5	CF/CM/CU60D	1250	36.0	28.6	16.50	14.00
TCG36B31S	TM9V120D20MP11C	24.5	CF/CM36D	1125	34.6	26.2	16.50	14.00
TCG36B31S	TM9V120D20MP11C	24.5	CF/CM42D	1125	35.4	27.0	16.50	13.75
TCG36B31S	TM9V120D20MP12C	24.5	CF/CM/CU36D	1200	34.6	29.1	16.50	14.25
TCG36B31S	TM9V120D20MP12C	24.5	CF/CM/CU42D	1200	35.8	29.0	16.75	13.75
TCG36B31S	TM9V120D20MP12C	24.5	CF/CM/CU48D	1200	36.0	29.4	16.75	13.75
TCG36B31S	TM9V120D20MP12C	24.5	CF/CM/CU60D	1200	36.0	29.6	16.75	14.00
TCG36B31S	TM9Y060B12MP11	17.5	CF/CM/CU36B	1100	34.6	27.5	15.25	12.50
TCG36B31S	TM9Y060B12MP11	17.5	CF/CM/CU36C	975	34.6	26.4	15.25	12.50
TCG36B31S	TM9Y060B12MP11	17.5	CF/CM/CU42C	975	35.4	26.1	15.50	12.75
TCG36B31S	TM9Y060B12MP11	17.5	CF/CM/CU48C	975	36.0	26.5	15.75	13.00
TCG36B31S	TM9Y060B12MP11	17.5	CF/CM/CU60C	975	36.0	25.8	15.75	13.00
TCG36B31S	TM9Y060B12MP11	17.5	CF42B	1100	35.4	27.5	15.50	12.75
TCG36B31S	TM9Y080B12MP11	17.5	CF/CM/CU36B	975	34.6	24.8	15.50	13.25
TCG36B31S	TM9Y080B12MP11	17.5	CF42B	975	35.4	25.2	16.20	13.25
TCG36B31S	TM9Y080C16MP11	21.0	CF/CM/CU36C	975	34.6	26.5	16.00	13.50
TCG36B31S	TM9Y080C16MP11	21.0	CF/CM/CU42C	975	35.4	26.2	16.25	13.50
TCG36B31S	TM9Y080C16MP11	21.0	CF/CM/CU48C	975	36.0	26.4	16.50	13.75
TCG36B31S	TM9Y080C16MP11	21.0	CF/CM/CU48D	975	36.0	26.4	16.50	13.75
TCG36B31S	TM9Y080C16MP11	21.0	CF/CM/CU60C	975	36.0	26.0	16.50	13.75
TCG36B31S	TM9Y080C16MP11	21.0	CF/CM/CU60D	1000	36.0	26.3	16.50	13.75
TCG36B31S	TM9Y080C16MP11	21.0	CF/CM36D	975	34.6	26.5	16.25	13.50
TCG36B31S	TM9Y080C16MP11	21.0	CF/CM42D	975	35.4	26.2	16.50	13.75
TCG36B31S	TM9Y100C16MP11	21.0	CF/CM/CU36C	1075	34.6	26.0	16.20	13.50

COOLING CAPACITY - With High Efficiency Motor Furnaces¹ (Continued)

UNIT MODEL	FURNACE		COIL MODEL ²	COOLING				
	MODEL	WIDTH		RATED CFM	NET MBH		SEER	EER
					TOTAL	SENS.		
TCG36B31S	TM9Y100C16MP11	21.0	CF/CM/CU42C	1075	35.4	26.2	16.25	13.75
TCG36B31S	TM9Y100C16MP11	21.0	CF/CM/CU48C	1075	36.0	26.6	16.50	13.75
TCG36B31S	TM9Y100C16MP11	21.0	CF/CM/CU48D	1075	36.0	26.6	16.50	14.00
TCG36B31S	TM9Y100C16MP11	21.0	CF/CM/CU60C	1075	36.0	26.6	16.50	14.00
TCG36B31S	TM9Y100C16MP11	21.0	CF/CM/CU60D	1075	36.0	26.6	16.50	14.00
TCG36B31S	TM9Y100C16MP11	21.0	CF/CM36D	1075	34.6	26.2	16.25	13.50
TCG36B31S	TM9Y100C16MP11	21.0	CF/CM42D	1075	35.4	26.2	16.50	13.75
TCG36B31S	TM9Y100C20MP11	21.0	CF/CM/CU36C	975	34.6	25.2	16.25	13.75
TCG36B31S	TM9Y100C20MP11	21.0	CF/CM/CU42C	975	35.4	25.4	16.50	13.75
TCG36B31S	TM9Y100C20MP11	21.0	CF/CM/CU48C	975	36.0	25.4	17.00	14.00
TCG36B31S	TM9Y100C20MP11	21.0	CF/CM/CU48D	1000	36.0	25.4	17.00	14.00
TCG36B31S	TM9Y100C20MP11	21.0	CF/CM/CU60C	1250	36.0	28.4	16.50	14.00
TCG36B31S	TM9Y100C20MP11	21.0	CF/CM/CU60D	975	36.0	25.6	17.00	14.00
TCG36B31S	TM9Y100C20MP11	21.0	CF/CM36D	975	34.6	25.2	16.25	13.75
TCG36B31S	TM9Y100C20MP11	21.0	CF/CM42D	975	35.4	25.4	16.50	13.75
TCG36B31S	TM9Y120D20MP11	24.5	CF/CM/CU48D	1000	36.0	25.4	17.00	14.00
TCG36B31S	TM9Y120D20MP11	24.5	CF/CM/CU60D	975	36.0	25.6	17.00	14.25
TCG36B31S	TM9Y120D20MP11	24.5	CF/CM36D	975	34.6	25.2	16.50	14.00
TCG36B31S	TM9Y120D20MP11	24.5	CF/CM42D	975	35.4	25.4	16.50	14.00
TCG36B31S	TMLE040A12MP11	14.5	CF/CM/CU36B	1025	34.6	27.1	15.75	13.00
TCG36B31S	TMLE040A12MP11	14.5	CF42B	1000	35.4	26.4	16.00	13.25
TCG36B31S	TMLE060A12MP11	14.5	CF/CM/CU36B	1025	34.6	27.1	15.75	13.00
TCG36B31S	TMLE060A12MP11	14.5	CF42B	1000	35.4	26.4	16.00	13.25
TCG36B31S	TMLE080B12MP11	17.5	CF/CM/CU36B	1025	34.6	27.1	15.75	13.00
TCG36B31S	TMLE080B12MP11	17.5	CF/CM/CU36C	1050	34.6	27.2	15.75	13.00
TCG36B31S	TMLE080B12MP11	17.5	CF/CM/CU42C	1050	35.4	27.3	16.00	13.50
TCG36B31S	TMLE080B12MP11	17.5	CF/CM/CU48C	1050	36.0	27.3	16.25	13.50
TCG36B31S	TMLE080B12MP11	17.5	CF/CM/CU60C	1050	36.0	27.0	16.00	13.25
TCG36B31S	TMLE080B12MP11	17.5	CF42B	1025	35.4	26.8	16.00	13.25
TCG36B31S	TMLE080C16MP11	21.0	CF/CM/CU36C	1100	34.6	28.0	16.25	13.50
TCG36B31S	TMLE080C16MP11	21.0	CF/CM/CU42C	1100	35.4	27.8	16.50	13.75
TCG36B31S	TMLE080C16MP11	21.0	CF/CM/CU48C	1100	36.0	28.2	16.75	13.75
TCG36B31S	TMLE080C16MP11	21.0	CF/CM/CU48D	1100	36.0	28.2	16.50	13.75
TCG36B31S	TMLE080C16MP11	21.0	CF/CM/CU60C	1275	36.0	29.7	16.25	13.50
TCG36B31S	TMLE080C16MP11	21.0	CF/CM/CU60D	1125	36.0	28.0	16.50	13.75
TCG36B31S	TMLE080C16MP11	21.0	CF/CM36D	1125	34.6	28.5	16.25	13.50
TCG36B31S	TMLE080C16MP11	21.0	CF/CM42D	1125	35.4	28.2	16.50	13.75
TCG36B31S	TMLE080C20MP11	21.0	CF/CM/CU36C	1250	34.6	29.8	16.00	13.50
TCG36B31S	TMLE080C20MP11	21.0	CF/CM/CU42C	1250	35.4	29.7	16.50	13.75
TCG36B31S	TMLE080C20MP11	21.0	CF/CM/CU48C	1250	36.0	29.8	16.75	13.75
TCG36B31S	TMLE080C20MP11	21.0	CF/CM/CU48D	1275	36.0	30.6	16.50	13.75
TCG36B31S	TMLE080C20MP11	21.0	CF/CM/CU60C	1250	36.0	29.4	16.75	13.75
TCG36B31S	TMLE080C20MP11	21.0	CF/CM/CU60D	1275	36.0	30.1	16.50	13.75
TCG36B31S	TMLE080C20MP11	21.0	CF/CM36D	1275	34.6	30.1	16.25	13.50
TCG36B31S	TMLE080C20MP11	21.0	CF/CM42D	1275	35.4	30.3	16.75	13.75
TCG36B31S	TMLE100B12MP11	17.5	CF/CM/CU36B	1075	34.6	27.7	15.75	13.00
TCG36B31S	TMLE100B12MP11	17.5	CF/CM/CU36C	1100	34.6	27.8	15.75	13.00
TCG36B31S	TMLE100B12MP11	17.5	CF/CM/CU42C	1100	35.4	27.6	16.00	13.50
TCG36B31S	TMLE100B12MP11	17.5	CF/CM/CU48C	1100	36.0	28.3	16.25	13.50
TCG36B31S	TMLE100B12MP11	17.5	CF/CM/CU60C	1100	36.0	27.4	16.00	13.25
TCG36B31S	TMLE100B12MP11	17.5	CF42B	1050	35.4	27.2	16.00	13.25
TCG36B31S	TMLE100C16MP11	21.0	CF/CM/CU36C	1125	34.6	28.5	16.00	13.50
TCG36B31S	TMLE100C16MP11	21.0	CF/CM/CU42C	1125	35.4	28.2	16.50	13.75

COOLING CAPACITY - With High Efficiency Motor Furnaces¹ (Continued)

UNIT MODEL	FURNACE		COIL MODEL ²	COOLING				
	MODEL	WIDTH		RATED CFM	NET MBH		SEER	EER
					TOTAL	SENS.		
TCG36B31S	TMLE100C16MP11	21.0	CF/CM/CU48C	1125	36.0	28.6	16.75	13.75
TCG36B31S	TMLE100C16MP11	21.0	CF/CM/CU48D	1125	36.0	28.6	16.50	13.75
TCG36B31S	TMLE100C16MP11	21.0	CF/CM/CU60C	1125	36.0	28.1	16.75	13.75
TCG36B31S	TMLE100C16MP11	21.0	CF/CM/CU60D	1125	36.0	28.1	16.50	13.75
TCG36B31S	TMLE100C16MP11	21.0	CF/CM36D	1125	34.6	28.5	16.25	13.50
TCG36B31S	TMLE100C16MP11	21.0	CF/CM42D	1125	35.4	28.2	16.50	13.75
TCG36B31S	TMLE100C20MP11	21.0	CF/CM/CU36C	1250	34.6	29.8	16.00	13.50
TCG36B31S	TMLE100C20MP11	21.0	CF/CM/CU42C	1250	35.4	29.7	16.50	13.75
TCG36B31S	TMLE100C20MP11	21.0	CF/CM/CU48C	1250	36.0	29.8	16.75	13.75
TCG36B31S	TMLE100C20MP11	21.0	CF/CM/CU48D	1275	36.0	30.6	16.50	13.75
TCG36B31S	TMLE100C20MP11	21.0	CF/CM/CU60C	1250	36.0	29.4	16.50	13.75
TCG36B31S	TMLE100C20MP11	21.0	CF/CM/CU60D	1275	36.0	30.1	16.50	13.75
TCG36B31S	TMLE100C20MP11	21.0	CF/CM36D	1275	34.6	30.1	16.25	13.50
TCG36B31S	TMLE100C20MP11	21.0	CF/CM42D	1275	35.4	30.3	16.75	13.75
TCG36B31S	TMLE120C16MP11	21.0	CF/CM/CU36C	1125	34.6	28.5	16.00	13.50
TCG36B31S	TMLE120C16MP11	21.0	CF/CM/CU42C	1125	35.4	28.2	16.50	13.75
TCG36B31S	TMLE120C16MP11	21.0	CF/CM/CU48C	1125	36.0	28.6	16.75	13.75
TCG36B31S	TMLE120C16MP11	21.0	CF/CM/CU48D	1125	36.0	28.6	16.50	13.75
TCG36B31S	TMLE120C16MP11	21.0	CF/CM/CU60C	1125	36.0	28.1	16.75	13.75
TCG36B31S	TMLE120C16MP11	21.0	CF/CM/CU60D	1125	36.0	28.1	16.50	13.75
TCG36B31S	TMLE120C16MP11	21.0	CF/CM36D	1125	34.6	28.5	16.25	13.50
TCG36B31S	TMLE120C16MP11	21.0	CF/CM42D	1125	35.4	28.2	16.50	13.75
TCG36B31S	TMLE120C20MP11	21.0	CF/CM/CU36C	1275	34.6	30.1	16.00	13.25
TCG36B31S	TMLE120C20MP11	21.0	CF/CM/CU42C	1275	35.4	30.3	16.50	13.75
TCG36B31S	TMLE120C20MP11	21.0	CF/CM/CU48C	1300	36.0	30.6	16.75	14.00
TCG36B31S	TMLE120C20MP11	21.0	CF/CM/CU48D	1300	36.0	30.6	16.50	13.75
TCG36B31S	TMLE120C20MP11	21.0	CF/CM/CU60C	1275	36.0	30.2	16.50	13.75
TCG36B31S	TMLE120C20MP11	21.0	CF/CM/CU60D	1325	36.0	29.2	16.50	13.75
TCG36B31S	TMLE120C20MP11	21.0	CF/CM36D	1300	34.6	28.2	15.75	13.00
TCG36B31S	TMLE120C20MP11	21.0	CF/CM42D	1300	35.4	30.7	16.50	13.75
TCG36B31S	TMLE130D20MP11	24.5	CF/CM/CU48D	1300	36.0	30.6	16.75	14.00
TCG36B31S	TMLE130D20MP11	24.5	CF/CM/CU60D	1325	36.0	29.2	16.75	14.00
TCG36B31S	TMLE130D20MP11	24.5	CF/CM36D	1300	34.6	28.2	15.75	13.00
TCG36B31S	TMLE130D20MP11	24.5	CF/CM42D	1300	35.4	30.7	16.50	13.75
TCG36B31S	TMLV080C16MP11C	21.0	CF/CM/CU36C	1050	34.6	26.0	16.20	13.50
TCG36B31S	TMLV080C16MP11C	21.0	CF/CM/CU42C	1075	36.0	26.2	16.25	13.50
TCG36B31S	TMLV080C16MP11C	21.0	CF/CM/CU48C	1075	36.0	26.6	16.50	13.75
TCG36B31S	TMLV080C16MP11C	21.0	CF/CM/CU48D	1050	36.0	26.4	16.50	13.75
TCG36B31S	TMLV080C16MP11C	21.0	CF/CM/CU60C	1075	36.0	26.4	16.50	13.75
TCG36B31S	TMLV080C16MP11C	21.0	CF/CM/CU60D	1075	36.0	26.6	16.50	14.00
TCG36B31S	TMLV080C16MP12C	21.0	CF/CM/CU36C	1150	34.6	28.3	16.25	13.50
TCG36B31S	TMLV080C16MP12C	21.0	CF/CM/CU42C	1200	36.0	29.0	16.25	13.50
TCG36B31S	TMLV080C16MP12C	21.0	CF/CM/CU48C	1150	36.0	28.2	16.50	13.75
TCG36B31S	TMLV080C16MP12C	21.0	CF/CM/CU60C	1200	36.0	29.2	16.50	13.75
TCG36B31S	TMLV100C16MP11C	21.0	CF/CM/CU36C	1050	34.6	26.0	16.20	13.50
TCG36B31S	TMLV100C16MP11C	21.0	CF/CM/CU42C	1075	36.0	26.2	16.25	13.50
TCG36B31S	TMLV100C16MP11C	21.0	CF/CM/CU48C	1075	36.0	26.6	16.50	13.75
TCG36B31S	TMLV100C16MP11C	21.0	CF/CM/CU48D	1050	36.0	26.4	16.50	13.75
TCG36B31S	TMLV100C16MP11C	21.0	CF/CM/CU60C	1075	36.0	26.4	16.50	13.75
TCG36B31S	TMLV100C16MP11C	21.0	CF/CM/CU60D	1075	36.0	26.6	16.50	14.00
TCG36B31S	TMLV100C16MP12C	21.0	CF/CM/CU36C	1150	34.6	28.3	16.25	13.50
TCG36B31S	TMLV100C16MP12C	21.0	CF/CM/CU42C	1200	36.0	29.0	16.25	13.50
TCG36B31S	TMLV100C16MP12C	21.0	CF/CM/CU48C	1150	36.0	28.2	16.50	13.75

COOLING CAPACITY - With High Efficiency Motor Furnaces¹ (Continued)

UNIT MODEL	FURNACE		COIL MODEL ²	COOLING				
	MODEL	WIDTH		RATED CFM	NET MBH		SEER	EER
					TOTAL	SENS.		
TCG36B31S	TMLV100C16MP12C	21.0	CF/CM/CU60C	1200	36.0	29.2	16.50	13.75
TCG36B31S	TMLV100C20MP11C	21.0	CF/CM/CU36C	1150	34.6	27.2	15.75	13.50
TCG36B31S	TMLV100C20MP11C	21.0	CF/CM/CU42C	1150	36.0	27.2	16.25	13.50
TCG36B31S	TMLV100C20MP11C	21.0	CF/CM/CU48C	1250	36.0	28.4	16.25	13.75
TCG36B31S	TMLV100C20MP11C	21.0	CF/CM/CU48D	1125	36.0	26.8	16.25	13.50
TCG36B31S	TMLV100C20MP11C	21.0	CF/CM/CU60C	1225	36.0	28.2	16.50	13.75
TCG36B31S	TMLV100C20MP11C	21.0	CF/CM/CU60D	1225	36.0	28.2	16.50	13.50
TCG36B31S	TMLV100C20MP12C	21.0	CF/CM/CU36C	1150	34.8	28.4	16.00	13.50
TCG36B31S	TMLV100C20MP12C	21.0	CF/CM/CU42C	1225	36.0	29.5	16.50	13.50
TCG36B31S	TMLV100C20MP12C	21.0	CF/CM/CU48C	1150	36.0	28.3	16.50	13.75
TCG36B31S	TMLV100C20MP12C	21.0	CF/CM/CU60C	1225	36.0	29.7	16.75	13.75
TCG36B31S	TMLV120C20MP11C	21.0	CF/CM/CU36C	1150	34.6	27.2	15.75	13.50
TCG36B31S	TMLV120C20MP11C	21.0	CF/CM/CU42C	1150	36.0	27.2	16.25	13.50
TCG36B31S	TMLV120C20MP11C	21.0	CF/CM/CU48C	1250	36.0	28.4	16.25	13.75
TCG36B31S	TMLV120C20MP11C	21.0	CF/CM/CU48D	1125	36.0	26.8	16.25	13.50
TCG36B31S	TMLV120C20MP11C	21.0	CF/CM/CU60C	1225	36.0	28.2	16.50	13.75
TCG36B31S	TMLV120C20MP11C	21.0	CF/CM/CU60D	1225	36.0	28.2	16.50	13.50
TCG36B31S	TMLV120C20MP12C	21.0	CF/CM/CU36C	1150	34.8	28.4	16.00	13.50
TCG36B31S	TMLV120C20MP12C	21.0	CF/CM/CU42C	1225	36.0	29.5	16.50	13.50
TCG36B31S	TMLV120C20MP12C	21.0	CF/CM/CU48C	1150	36.0	28.3	16.50	13.75
TCG36B31S	TMLV120C20MP12C	21.0	CF/CM/CU60C	1225	36.0	29.7	16.75	13.75
TCG36B31S	TMLX060A12MP11	14.5	CF/CM36A	975	34.6	24.8	15.50	13.25
TCG36B31S	TMLX080B12MP11	17.5	CF/CM/CU36B	1000	34.6	25.2	15.75	13.50
TCG36B31S	TMLX080B12MP11	17.5	CF42B	1000	35.4	25.2	16.20	13.50
TCG36B31S	TMLX080C16MP11	21.0	CF/CM/CU36C	1050	34.6	26.2	16.25	13.75
TCG36B31S	TMLX080C16MP11	21.0	CF/CM/CU42C	1050	35.4	26.0	16.50	13.75
TCG36B31S	TMLX080C16MP11	21.0	CF/CM/CU48C	1050	36.0	26.4	17.00	14.00
TCG36B31S	TMLX080C16MP11	21.0	CF/CM/CU48D	1075	36.0	26.6	17.00	14.00
TCG36B31S	TMLX080C16MP11	21.0	CF/CM/CU60C	1050	36.0	26.2	17.00	14.00
TCG36B31S	TMLX080C16MP11	21.0	CF/CM/CU60D	1075	36.0	26.6	17.00	14.00
TCG36B31S	TMLX080C16MP11	21.0	CF/CM36D	1075	34.6	26.2	16.50	13.75
TCG36B31S	TMLX080C16MP11	21.0	CF/CM42D	1075	35.4	26.4	16.50	14.00
TCG36B31S	TMLX100C16MP11	21.0	CF/CM/CU36C	1050	34.6	26.2	16.25	13.75
TCG36B31S	TMLX100C16MP11	21.0	CF/CM/CU42C	1050	35.4	26.0	16.50	13.75
TCG36B31S	TMLX100C16MP11	21.0	CF/CM/CU48C	1050	36.0	26.4	17.00	14.00
TCG36B31S	TMLX100C16MP11	21.0	CF/CM/CU48D	1075	36.0	26.6	17.00	14.00
TCG36B31S	TMLX100C16MP11	21.0	CF/CM/CU60C	1050	36.0	26.2	17.00	14.00
TCG36B31S	TMLX100C16MP11	21.0	CF/CM/CU60D	1075	36.0	26.6	17.00	14.00
TCG36B31S	TMLX100C16MP11	21.0	CF/CM36D	1075	34.6	26.2	16.50	13.75
TCG36B31S	TMLX100C16MP11	21.0	CF/CM42D	1075	35.4	26.4	16.50	14.00
TCG36B31S	TMLX100C20MP11	21.0	CF/CM/CU36C	1075	34.6	26.2	16.25	13.75
TCG36B31S	TMLX100C20MP11	21.0	CF/CM/CU42C	1075	35.4	26.4	16.50	14.00
TCG36B31S	TMLX100C20MP11	21.0	CF/CM/CU48C	1075	36.0	26.6	17.00	14.00
TCG36B31S	TMLX100C20MP11	21.0	CF/CM/CU48D	1100	36.0	26.8	17.00	14.00
TCG36B31S	TMLX100C20MP11	21.0	CF/CM/CU60C	1075	36.0	26.6	17.00	14.25
TCG36B31S	TMLX100C20MP11	21.0	CF/CM/CU60D	1075	36.0	26.6	17.00	14.25
TCG36B31S	TMLX100C20MP11	21.0	CF/CM36D	1100	34.6	26.2	16.50	13.75
TCG36B31S	TMLX100C20MP11	21.0	CF/CM42D	1100	35.4	26.6	16.50	14.00
TCG36B31S	TMLX120C20MP11	21.0	CF/CM/CU36C	1075	34.6	26.2	16.25	13.75
TCG36B31S	TMLX120C20MP11	21.0	CF/CM/CU42C	1075	35.4	26.4	16.50	14.00
TCG36B31S	TMLX120C20MP11	21.0	CF/CM/CU48C	1075	36.0	26.6	17.00	14.00
TCG36B31S	TMLX120C20MP11	21.0	CF/CM/CU48D	1100	36.0	26.8	17.00	14.00
TCG36B31S	TMLX120C20MP11	21.0	CF/CM/CU60C	1075	36.0	26.6	17.00	14.25

COOLING CAPACITY - With High Efficiency Motor Furnaces¹ (Continued)

UNIT MODEL	FURNACE		COIL MODEL ²	COOLING				
	MODEL	WIDTH		RATED CFM	NET MBH		SEER	EER
					TOTAL	SENS.		
TCG36B31S	TMLX120C20MP11	21.0	CF/CM/CU60D	1075	36.0	26.6	17.00	14.25
TCG36B31S	TMLX120C20MP11	21.0	CF/CM36D	1100	34.6	26.2	16.50	13.75
TCG36B31S	TMLX120C20MP11	21.0	CF/CM42D	1100	35.4	26.6	16.50	14.00
TCG36B31S	TP9C060B12MP12C	17.5	CF/CM/CU36B	1050	34.6	26.0	15.75	13.25
TCG36B31S	TP9C060B12MP12C	17.5	CF42B	1050	35.4	25.8	16.20	13.50
TCG36B31S	TP9C060B12MP13C	17.5	CF/CM/CU36B	1000	34.6	26.2	15.50	12.75
TCG36B31S	TP9C060B12MP13C	17.5	CF/CM/CU36C	1000	34.6	26.4	15.25	12.50
TCG36B31S	TP9C060B12MP13C	17.5	CF/CM/CU42C	1000	35.4	26.4	15.75	13.00
TCG36B31S	TP9C060B12MP13C	17.5	CF/CM/CU48C	1000	36.0	26.7	15.75	13.00
TCG36B31S	TP9C060B12MP13C	17.5	CF/CM/CU60C	1000	36.0	26.2	15.75	13.00
TCG36B31S	TP9C060B12MP13C	17.5	CF42B	1000	35.4	26.3	15.75	13.00
TCG36B31S	TP9C080B12MP12C	17.5	CF/CM/CU36B	1050	34.6	26.0	15.75	13.25
TCG36B31S	TP9C080B12MP12C	17.5	CF42B	1050	35.4	25.8	16.20	13.50
TCG36B31S	TP9C080B12MP13C	17.5	CF/CM/CU36B	1175	35.0	28.8	15.75	13.25
TCG36B31S	TP9C080B12MP13C	17.5	CF42B	1075	35.4	26.4	16.00	13.25
TCG36B31S	TP9C080C16MP12C	21.0	CF/CM/CU36C	1000	34.6	25.4	16.20	13.75
TCG36B31S	TP9C080C16MP12C	21.0	CF/CM/CU42C	1000	35.4	25.2	16.50	13.75
TCG36B31S	TP9C080C16MP12C	21.0	CF/CM/CU48C	1250	36.0	28.4	16.25	13.50
TCG36B31S	TP9C080C16MP12C	21.0	CF/CM/CU48D	1200	36.0	27.8	16.50	14.00
TCG36B31S	TP9C080C16MP12C	21.0	CF/CM/CU60C	1200	36.0	27.8	16.50	14.00
TCG36B31S	TP9C080C16MP12C	21.0	CF/CM/CU60D	1050	36.0	26.2	16.50	14.00
TCG36B31S	TP9C100C16MP12C	21.0	CF/CM/CU36C	1000	34.6	25.4	16.20	13.75
TCG36B31S	TP9C100C16MP12C	21.0	CF/CM/CU42C	1000	35.4	25.2	16.50	13.75
TCG36B31S	TP9C100C16MP12C	21.0	CF/CM/CU48C	1250	36.0	28.4	16.25	13.50
TCG36B31S	TP9C100C16MP12C	21.0	CF/CM/CU48D	1200	36.0	27.8	16.50	14.00
TCG36B31S	TP9C100C16MP12C	21.0	CF/CM/CU60C	1200	36.0	27.8	16.50	14.00
TCG36B31S	TP9C100C16MP12C	21.0	CF/CM/CU60D	1050	36.0	26.2	16.50	14.00
TCG36B31S	TP9C100C16MP13C	21.0	CF/CM/CU36C	1175	35.6	29.1	16.25	13.75
TCG36B31S	TP9C100C16MP13C	21.0	CF/CM/CU42C	1175	36.0	28.7	16.50	13.75
TCG36B31S	TP9C100C16MP13C	21.0	CF/CM/CU48C	1175	36.0	28.8	16.50	13.75
TCG36B31S	TP9C100C16MP13C	21.0	CF/CM/CU60C	1175	36.0	28.8	16.50	14.00
TCG36B31S	TP9C100C20MP12C	21.0	CF/CM/CU36C	1075	34.6	26.0	15.75	13.50
TCG36B31S	TP9C100C20MP12C	21.0	CF/CM/CU42C	1250	35.4	28.0	15.75	13.25
TCG36B31S	TP9C100C20MP12C	21.0	CF/CM/CU48C	1175	36.0	27.4	16.25	13.50
TCG36B31S	TP9C100C20MP12C	21.0	CF/CM/CU48D	1250	36.0	28.4	16.25	13.50
TCG36B31S	TP9C100C20MP12C	21.0	CF/CM/CU60C	1175	36.0	27.6	16.25	13.50
TCG36B31S	TP9C100C20MP12C	21.0	CF/CM/CU60D	1175	36.0	27.6	16.50	13.75
TCG36B31S	TP9C100C20MP13C	21.0	CF/CM/CU36C	1225	35.2	29.4	15.75	13.50
TCG36B31S	TP9C100C20MP13C	21.0	CF/CM/CU42C	1225	35.4	29.4	16.25	13.50
TCG36B31S	TP9C100C20MP13C	21.0	CF/CM/CU48C	1225	36.0	29.6	16.25	13.50
TCG36B31S	TP9C100C20MP13C	21.0	CF/CM/CU60C	1225	36.0	29.8	16.50	13.50
TCG36B31S	TP9C120D20MP12C	24.5	CF/CM/CU48D	1225	36.0	28.0	16.50	13.75
TCG36B31S	TP9C120D20MP12C	24.5	CF/CM/CU60D	1250	36.0	28.6	16.50	14.00
TCG36B31S	TP9C120D20MP12C	24.5	CF/CM36D	1125	34.6	26.2	16.50	14.00
TCG36B31S	TP9C120D20MP12C	24.5	CF/CM42D	1125	35.4	27.0	16.50	13.75
TCG36B31S	TP9C120D20MP13C	24.5	CF/CM/CU36D	1200	34.6	29.1	16.50	14.25
TCG36B31S	TP9C120D20MP13C	24.5	CF/CM/CU42D	1200	35.8	29.0	16.75	13.75
TCG36B31S	TP9C120D20MP13C	24.5	CF/CM/CU48D	1200	36.0	29.4	16.75	13.75
TCG36B31S	TP9C120D20MP13C	24.5	CF/CM/CU60D	1200	36.0	29.6	16.75	14.00
TCG36B31S	TPLC080C16MP12C	21.0	CF/CM/CU36C	1050	34.6	26.0	16.20	13.50
TCG36B31S	TPLC080C16MP12C	21.0	CF/CM/CU42C	1075	36.0	26.2	16.25	13.50
TCG36B31S	TPLC080C16MP12C	21.0	CF/CM/CU48C	1075	36.0	26.6	16.50	13.75
TCG36B31S	TPLC080C16MP12C	21.0	CF/CM/CU48D	1050	36.0	26.4	16.50	13.75

COOLING CAPACITY - With High Efficiency Motor Furnaces¹ (Continued)

UNIT MODEL	FURNACE		COIL MODEL ²	COOLING				
	MODEL	WIDTH		RATED CFM	NET MBH		SEER	EER
					TOTAL	SENS.		
TCG36B31S	TPLC080C16MP12C	21.0	CF/CM/CU60C	1075	36.0	26.4	16.50	13.75
TCG36B31S	TPLC080C16MP12C	21.0	CF/CM/CU60D	1075	36.0	26.6	16.50	14.00
TCG36B31S	TPLC080C16MP13C	21.0	CF/CM/CU36C	1150	34.6	28.3	16.25	13.50
TCG36B31S	TPLC080C16MP13C	21.0	CF/CM/CU42C	1200	36.0	29.0	16.25	13.50
TCG36B31S	TPLC080C16MP13C	21.0	CF/CM/CU48C	1150	36.0	28.2	16.50	13.75
TCG36B31S	TPLC080C16MP13C	21.0	CF/CM/CU60C	1200	36.0	29.2	16.50	13.75
TCG36B31S	TPLC100C16MP12C	21.0	CF/CM/CU36C	1050	34.6	26.0	16.20	13.50
TCG36B31S	TPLC100C16MP12C	21.0	CF/CM/CU42C	1075	36.0	26.2	16.25	13.50
TCG36B31S	TPLC100C16MP12C	21.0	CF/CM/CU48C	1075	36.0	26.6	16.50	13.75
TCG36B31S	TPLC100C16MP12C	21.0	CF/CM/CU48D	1050	36.0	26.4	16.50	13.75
TCG36B31S	TPLC100C16MP12C	21.0	CF/CM/CU60C	1075	36.0	26.4	16.50	13.75
TCG36B31S	TPLC100C16MP12C	21.0	CF/CM/CU60D	1075	36.0	26.6	16.50	14.00
TCG36B31S	TPLC100C16MP13C	21.0	CF/CM/CU36C	1150	34.6	28.3	16.25	13.50
TCG36B31S	TPLC100C16MP13C	21.0	CF/CM/CU42C	1200	36.0	29.0	16.25	13.50
TCG36B31S	TPLC100C16MP13C	21.0	CF/CM/CU48C	1150	36.0	28.2	16.50	13.75
TCG36B31S	TPLC100C16MP13C	21.0	CF/CM/CU60C	1200	36.0	29.2	16.50	13.75
TCG36B31S	TPLC100C20MP12C	21.0	CF/CM/CU36C	1150	34.6	27.2	15.75	13.50
TCG36B31S	TPLC100C20MP12C	21.0	CF/CM/CU42C	1150	36.0	27.2	16.25	13.50
TCG36B31S	TPLC100C20MP12C	21.0	CF/CM/CU48C	1250	36.0	28.4	16.25	13.75
TCG36B31S	TPLC100C20MP12C	21.0	CF/CM/CU48D	1125	36.0	26.8	16.25	13.50
TCG36B31S	TPLC100C20MP12C	21.0	CF/CM/CU60C	1225	36.0	28.2	16.50	13.75
TCG36B31S	TPLC100C20MP12C	21.0	CF/CM/CU60D	1225	36.0	28.2	16.50	13.50
TCG36B31S	TPLC100C20MP13C	21.0	CF/CM/CU36C	1150	34.8	28.4	16.00	13.50
TCG36B31S	TPLC100C20MP13C	21.0	CF/CM/CU42C	1225	36.0	29.5	16.50	13.50
TCG36B31S	TPLC100C20MP13C	21.0	CF/CM/CU48C	1150	36.0	28.3	16.50	13.75
TCG36B31S	TPLC100C20MP13C	21.0	CF/CM/CU60C	1225	36.0	29.7	16.75	13.75
TCG36B31S	TPLC120C20MP12C	21.0	CF/CM/CU36C	1150	34.6	27.2	15.75	13.50
TCG36B31S	TPLC120C20MP12C	21.0	CF/CM/CU42C	1150	36.0	27.2	16.25	13.50
TCG36B31S	TPLC120C20MP12C	21.0	CF/CM/CU48C	1250	36.0	28.4	16.25	13.75
TCG36B31S	TPLC120C20MP12C	21.0	CF/CM/CU48D	1125	36.0	26.8	16.25	13.50
TCG36B31S	TPLC120C20MP12C	21.0	CF/CM/CU60C	1225	36.0	28.2	16.50	13.75
TCG36B31S	TPLC120C20MP12C	21.0	CF/CM/CU60D	1225	36.0	28.2	16.50	13.50
TCG36B31S	TPLC120C20MP13C	21.0	CF/CM/CU36C	1150	34.8	28.4	16.00	13.50
TCG36B31S	TPLC120C20MP13C	21.0	CF/CM/CU42C	1225	36.0	29.5	16.50	13.50
TCG36B31S	TPLC120C20MP13C	21.0	CF/CM/CU48C	1150	36.0	28.3	16.50	13.75
TCG36B31S	TPLC120C20MP13C	21.0	CF/CM/CU60C	1225	36.0	29.7	16.75	13.75
TCG36B31S	YP9C060B12MP12C	17.5	CF/CM/CU36B	1050	34.6	26.0	15.75	13.25
TCG36B31S	YP9C060B12MP12C	17.5	CF42B	1050	35.4	25.8	16.20	13.50
TCG36B31S	YP9C060B12MP13C	17.5	CF/CM/CU36B	1000	34.6	26.2	15.50	12.75
TCG36B31S	YP9C060B12MP13C	17.5	CF/CM/CU36C	1000	34.6	26.4	15.25	12.50
TCG36B31S	YP9C060B12MP13C	17.5	CF/CM/CU42C	1000	35.4	26.4	15.75	13.00
TCG36B31S	YP9C060B12MP13C	17.5	CF/CM/CU48C	1000	36.0	26.7	15.75	13.00
TCG36B31S	YP9C060B12MP13C	17.5	CF/CM/CU60C	1000	36.0	26.2	15.75	13.00
TCG36B31S	YP9C060B12MP13C	17.5	CF42B	1000	35.4	26.3	15.75	13.00
TCG36B31S	YP9C080B12MP12C	17.5	CF/CM/CU36B	1050	34.6	26.0	15.75	13.25
TCG36B31S	YP9C080B12MP12C	17.5	CF42B	1050	35.4	25.8	16.20	13.50
TCG36B31S	YP9C080B12MP13C	17.5	CF/CM/CU36B	1175	35.0	28.8	15.75	13.25
TCG36B31S	YP9C080B12MP13C	17.5	CF42B	1075	35.4	26.4	16.00	13.25
TCG36B31S	YP9C080C16MP12C	21.0	CF/CM/CU36C	1000	34.6	25.4	16.20	13.75
TCG36B31S	YP9C080C16MP12C	21.0	CF/CM/CU42C	1000	35.4	25.2	16.50	13.75
TCG36B31S	YP9C080C16MP12C	21.0	CF/CM/CU48C	1250	36.0	28.4	16.25	13.50
TCG36B31S	YP9C080C16MP12C	21.0	CF/CM/CU48D	1200	36.0	27.8	16.50	14.00
TCG36B31S	YP9C080C16MP12C	21.0	CF/CM/CU60C	1200	36.0	27.8	16.50	14.00

COOLING CAPACITY - With High Efficiency Motor Furnaces¹ (Continued)

UNIT MODEL	FURNACE		COIL MODEL ²	COOLING				
	MODEL	WIDTH		RATED CFM	NET MBH		SEER	EER
					TOTAL	SENS.		
TCG36B31S	YP9C080C16MP12C	21.0	CF/CM/CU60D	1050	36.0	26.2	16.50	14.00
TCG36B31S	YP9C100C16MP12C	21.0	CF/CM/CU36C	1000	34.6	25.4	16.20	13.75
TCG36B31S	YP9C100C16MP12C	21.0	CF/CM/CU42C	1000	35.4	25.2	16.50	13.75
TCG36B31S	YP9C100C16MP12C	21.0	CF/CM/CU48C	1250	36.0	28.4	16.25	13.50
TCG36B31S	YP9C100C16MP12C	21.0	CF/CM/CU48D	1200	36.0	27.8	16.50	14.00
TCG36B31S	YP9C100C16MP12C	21.0	CF/CM/CU60C	1200	36.0	27.8	16.50	14.00
TCG36B31S	YP9C100C16MP12C	21.0	CF/CM/CU60D	1050	36.0	26.2	16.50	14.00
TCG36B31S	YP9C100C16MP13C	21.0	CF/CM/CU36C	1175	35.6	29.1	16.25	13.75
TCG36B31S	YP9C100C16MP13C	21.0	CF/CM/CU42C	1175	36.0	28.7	16.50	13.75
TCG36B31S	YP9C100C16MP13C	21.0	CF/CM/CU48C	1175	36.0	28.8	16.50	13.75
TCG36B31S	YP9C100C16MP13C	21.0	CF/CM/CU60C	1175	36.0	28.8	16.50	14.00
TCG36B31S	YP9C100C20MP12C	21.0	CF/CM/CU36C	1075	34.6	26.0	15.75	13.50
TCG36B31S	YP9C100C20MP12C	21.0	CF/CM/CU42C	1250	35.4	28.0	15.75	13.25
TCG36B31S	YP9C100C20MP12C	21.0	CF/CM/CU48C	1175	36.0	27.4	16.25	13.50
TCG36B31S	YP9C100C20MP12C	21.0	CF/CM/CU48D	1250	36.0	28.4	16.25	13.50
TCG36B31S	YP9C100C20MP12C	21.0	CF/CM/CU60C	1175	36.0	27.6	16.25	13.50
TCG36B31S	YP9C100C20MP12C	21.0	CF/CM/CU60D	1175	36.0	27.6	16.50	13.75
TCG36B31S	YP9C100C20MP13C	21.0	CF/CM/CU36C	1225	35.2	29.4	15.75	13.50
TCG36B31S	YP9C100C20MP13C	21.0	CF/CM/CU42C	1225	35.4	29.4	16.25	13.50
TCG36B31S	YP9C100C20MP13C	21.0	CF/CM/CU48C	1225	36.0	29.6	16.25	13.50
TCG36B31S	YP9C100C20MP13C	21.0	CF/CM/CU60C	1225	36.0	29.8	16.50	13.50
TCG36B31S	YP9C120D20MP12C	24.5	CF/CM/CU48D	1225	36.0	28.0	16.50	13.75
TCG36B31S	YP9C120D20MP12C	24.5	CF/CM/CU60D	1250	36.0	28.6	16.50	14.00
TCG36B31S	YP9C120D20MP12C	24.5	CF/CM36D	1125	34.6	26.2	16.50	14.00
TCG36B31S	YP9C120D20MP12C	24.5	CF/CM42D	1125	35.4	27.0	16.50	13.75
TCG36B31S	YP9C120D20MP13C	24.5	CF/CM/CU36D	1200	34.6	29.1	16.50	14.25
TCG36B31S	YP9C120D20MP13C	24.5	CF/CM/CU42D	1200	35.8	29.0	16.75	13.75
TCG36B31S	YP9C120D20MP13C	24.5	CF/CM/CU48D	1200	36.0	29.4	16.75	13.75
TCG36B31S	YP9C120D20MP13C	24.5	CF/CM/CU60D	1200	36.0	29.6	16.75	14.00
TCG36B31S	YPLC080C16MP12C	21.0	CF/CM/CU36C	1050	34.6	26.0	16.20	13.50
TCG36B31S	YPLC080C16MP12C	21.0	CF/CM/CU42C	1075	36.0	26.2	16.25	13.50
TCG36B31S	YPLC080C16MP12C	21.0	CF/CM/CU48C	1075	36.0	26.6	16.50	13.75
TCG36B31S	YPLC080C16MP12C	21.0	CF/CM/CU48D	1050	36.0	26.4	16.50	13.75
TCG36B31S	YPLC080C16MP12C	21.0	CF/CM/CU60C	1075	36.0	26.4	16.50	13.75
TCG36B31S	YPLC080C16MP12C	21.0	CF/CM/CU60D	1075	36.0	26.6	16.50	14.00
TCG36B31S	YPLC080C16MP13C	21.0	CF/CM/CU36C	1150	34.6	28.3	16.25	13.50
TCG36B31S	YPLC080C16MP13C	21.0	CF/CM/CU42C	1200	36.0	29.0	16.25	13.50
TCG36B31S	YPLC080C16MP13C	21.0	CF/CM/CU48C	1150	36.0	28.2	16.50	13.75
TCG36B31S	YPLC080C16MP13C	21.0	CF/CM/CU60C	1200	36.0	29.2	16.50	13.75
TCG36B31S	YPLC100C16MP12C	21.0	CF/CM/CU36C	1050	34.6	26.0	16.20	13.50
TCG36B31S	YPLC100C16MP12C	21.0	CF/CM/CU42C	1075	36.0	26.2	16.25	13.50
TCG36B31S	YPLC100C16MP12C	21.0	CF/CM/CU48C	1075	36.0	26.6	16.50	13.75
TCG36B31S	YPLC100C16MP12C	21.0	CF/CM/CU48D	1050	36.0	26.4	16.50	13.75
TCG36B31S	YPLC100C16MP12C	21.0	CF/CM/CU60C	1075	36.0	26.4	16.50	13.75
TCG36B31S	YPLC100C16MP12C	21.0	CF/CM/CU60D	1075	36.0	26.6	16.50	14.00
TCG36B31S	YPLC100C16MP13C	21.0	CF/CM/CU36C	1150	34.6	28.3	16.25	13.50
TCG36B31S	YPLC100C16MP13C	21.0	CF/CM/CU42C	1200	36.0	29.0	16.25	13.50
TCG36B31S	YPLC100C16MP13C	21.0	CF/CM/CU48C	1150	36.0	28.2	16.50	13.75
TCG36B31S	YPLC100C16MP13C	21.0	CF/CM/CU60C	1200	36.0	29.2	16.50	13.75
TCG36B31S	YPLC100C20MP12C	21.0	CF/CM/CU36C	1150	34.6	27.2	15.75	13.50
TCG36B31S	YPLC100C20MP12C	21.0	CF/CM/CU42C	1150	36.0	27.2	16.25	13.50
TCG36B31S	YPLC100C20MP12C	21.0	CF/CM/CU48C	1250	36.0	28.4	16.25	13.75
TCG36B31S	YPLC100C20MP12C	21.0	CF/CM/CU48D	1125	36.0	26.8	16.25	13.50

COOLING CAPACITY - With High Efficiency Motor Furnaces¹ (Continued)

UNIT MODEL	FURNACE		COIL MODEL ²	COOLING				
	MODEL	WIDTH		RATED CFM	NET MBH		SEER	EER
					TOTAL	SENS.		
TCG36B31S	YPLC100C20MP12C	21.0	CF/CM/CU60C	1225	36.0	28.2	16.50	13.75
TCG36B31S	YPLC100C20MP12C	21.0	CF/CM/CU60D	1225	36.0	28.2	16.50	13.50
TCG36B31S	YPLC100C20MP13C	21.0	CF/CM/CU36C	1150	34.8	28.4	16.00	13.50
TCG36B31S	YPLC100C20MP13C	21.0	CF/CM/CU42C	1225	36.0	29.5	16.50	13.50
TCG36B31S	YPLC100C20MP13C	21.0	CF/CM/CU48C	1150	36.0	28.3	16.50	13.75
TCG36B31S	YPLC100C20MP13C	21.0	CF/CM/CU60C	1225	36.0	29.7	16.75	13.75
TCG36B31S	YPLC120C20MP12C	21.0	CF/CM/CU36C	1150	34.6	27.2	15.75	13.50
TCG36B31S	YPLC120C20MP12C	21.0	CF/CM/CU42C	1150	36.0	27.2	16.25	13.50
TCG36B31S	YPLC120C20MP12C	21.0	CF/CM/CU48C	1250	36.0	28.4	16.25	13.75
TCG36B31S	YPLC120C20MP12C	21.0	CF/CM/CU48D	1125	36.0	26.8	16.25	13.50
TCG36B31S	YPLC120C20MP12C	21.0	CF/CM/CU60C	1225	36.0	28.2	16.50	13.75
TCG36B31S	YPLC120C20MP12C	21.0	CF/CM/CU60D	1225	36.0	28.2	16.50	13.50
TCG36B31S	YPLC120C20MP13C	21.0	CF/CM/CU36C	1150	34.8	28.4	16.00	13.50
TCG36B31S	YPLC120C20MP13C	21.0	CF/CM/CU42C	1225	36.0	29.5	16.50	13.50
TCG36B31S	YPLC120C20MP13C	21.0	CF/CM/CU48C	1150	36.0	28.3	16.50	13.75
TCG36B31S	YPLC120C20MP13C	21.0	CF/CM/CU60C	1225	36.0	29.7	16.75	13.75
TCG36B41S	TL8E060A12UH11	14.5	CF/CM/CU36B	1025	34.6	27.0	15.50	12.75
TCG36B41S	TL8E060A12UH11	14.5	CF42B	1025	35.4	26.8	16.00	13.25
TCG36B41S	TL8E080C16UH11	21.0	CF/CM/CU36C	1125	34.6	28.5	16.00	13.50
TCG36B41S	TL8E080C16UH11	21.0	CF/CM/CU42C	1125	35.4	28.2	16.50	13.75
TCG36B41S	TL8E080C16UH11	21.0	CF/CM/CU48C	1125	36.0	28.6	16.75	13.75
TCG36B41S	TL8E080C16UH11	21.0	CF/CM/CU48D	1125	36.0	28.6	16.50	13.75
TCG36B41S	TL8E080C16UH11	21.0	CF/CM/CU60C	1125	36.0	28.1	16.50	13.75
TCG36B41S	TL8E080C16UH11	21.0	CF/CM/CU60D	1125	36.0	28.1	16.50	13.75
TCG36B41S	TL8E080C16UH11	21.0	CF/CM36D	1125	34.6	28.5	16.00	13.50
TCG36B41S	TL8E080C16UH11	21.0	CF/CM42D	1125	35.4	28.2	16.50	13.75
TCG36B41S	TL8E100C20UH11	21.0	CF/CM/CU36C	1050	34.6	27.3	16.25	13.50
TCG36B41S	TL8E100C20UH11	21.0	CF/CM/CU42C	1050	35.4	27.5	16.75	13.75
TCG36B41S	TL8E100C20UH11	21.0	CF/CM/CU48C	1050	36.0	27.5	17.00	14.00
TCG36B41S	TL8E100C20UH11	21.0	CF/CM/CU48D	1050	36.0	27.5	16.75	14.00
TCG36B41S	TL8E100C20UH11	21.0	CF/CM/CU60C	1050	36.0	27.2	16.75	14.00
TCG36B41S	TL8E100C20UH11	21.0	CF/CM/CU60D	1075	36.0	27.6	16.75	14.00
TCG36B41S	TL8E100C20UH11	21.0	CF/CM36D	1050	34.6	27.3	16.50	13.75
TCG36B41S	TL8E100C20UH11	21.0	CF/CM42D	1050	35.4	27.5	16.75	14.00
TCG36B41S	TL9E060B12UH11	17.5	CF/CM/CU36B	1025	34.6	27.0	15.25	12.50
TCG36B41S	TL9E060B12UH11	17.5	CF/CM/CU36C	1050	34.6	27.0	15.25	12.50
TCG36B41S	TL9E060B12UH11	17.5	CF/CM/CU42C	1050	35.4	27.2	15.75	13.00
TCG36B41S	TL9E060B12UH11	17.5	CF/CM/CU48C	1050	36.0	27.2	15.75	13.00
TCG36B41S	TL9E060B12UH11	17.5	CF/CM/CU60C	1050	36.0	26.9	15.50	12.75
TCG36B41S	TL9E060B12UH11	17.5	CF42B	1025	35.4	26.7	15.50	12.75
TCG36B41S	TL9E080C16UH11	21.0	CF/CM/CU36C	1075	34.6	27.7	15.75	13.00
TCG36B41S	TL9E080C16UH11	21.0	CF/CM/CU42C	1075	35.4	27.8	16.25	13.50
TCG36B41S	TL9E080C16UH11	21.0	CF/CM/CU48C	1075	36.0	27.8	16.50	13.75
TCG36B41S	TL9E080C16UH11	21.0	CF/CM/CU48D	1100	36.0	28.2	16.50	13.50
TCG36B41S	TL9E080C16UH11	21.0	CF/CM/CU60C	1075	36.0	27.5	16.25	13.50
TCG36B41S	TL9E080C16UH11	21.0	CF/CM/CU60D	1100	36.0	27.6	16.25	13.50
TCG36B41S	TL9E080C16UH11	21.0	CF/CM36D	1100	34.6	27.8	16.00	13.50
TCG36B41S	TL9E080C16UH11	21.0	CF/CM42D	1100	35.4	27.8	16.25	13.50
TCG36B41S	TL9E100C20UH11	21.0	CF/CM/CU36C	1125	34.6	28.5	16.25	13.50
TCG36B41S	TL9E100C20UH11	21.0	CF/CM/CU42C	1125	35.4	28.2	16.50	13.75
TCG36B41S	TL9E100C20UH11	21.0	CF/CM/CU48C	1125	36.0	28.6	16.75	14.00
TCG36B41S	TL9E100C20UH11	21.0	CF/CM/CU48D	1150	36.0	28.7	16.75	14.00
TCG36B41S	TL9E100C20UH11	21.0	CF/CM/CU60C	1125	36.0	28.0	16.75	13.75

COOLING CAPACITY - With High Efficiency Motor Furnaces¹ (Continued)

UNIT MODEL	FURNACE		COIL MODEL ²	COOLING				
	MODEL	WIDTH		RATED CFM	NET MBH		SEER	EER
					TOTAL	SENS.		
TCG36B41S	TL9E100C20UH11	21.0	CF/CM/CU60D	1150	36.0	28.1	16.75	13.75
TCG36B41S	TL9E100C20UH11	21.0	CF/CM36D	1150	34.6	28.9	16.25	13.50
TCG36B41S	TL9E100C20UH11	21.0	CF/CM42D	1150	35.4	28.7	16.75	13.75
TCG36B41S	TM8E040A12MP11	14.5	CF/CM/CU36B	1025	34.6	27.1	15.75	13.00
TCG36B41S	TM8E040A12MP11	14.5	CF42B	1000	35.4	26.4	16.00	13.25
TCG36B41S	TM8E060A12MP11	14.5	CF/CM/CU36B	1025	34.6	27.1	15.75	13.00
TCG36B41S	TM8E060A12MP11	14.5	CF42B	1000	35.4	26.4	16.00	13.25
TCG36B41S	TM8E080B12MP11	17.5	CF/CM/CU36B	1025	34.6	27.1	15.75	13.00
TCG36B41S	TM8E080B12MP11	17.5	CF/CM/CU36C	1050	34.6	27.2	15.75	13.00
TCG36B41S	TM8E080B12MP11	17.5	CF/CM/CU42C	1050	35.4	27.3	16.00	13.50
TCG36B41S	TM8E080B12MP11	17.5	CF/CM/CU48C	1050	36.0	27.3	16.25	13.50
TCG36B41S	TM8E080B12MP11	17.5	CF/CM/CU60C	1050	36.0	27.0	16.00	13.25
TCG36B41S	TM8E080B12MP11	17.5	CF42B	1025	35.4	26.8	16.00	13.25
TCG36B41S	TM8E080C16MP11	21.0	CF/CM/CU36C	1100	34.6	28.0	16.25	13.50
TCG36B41S	TM8E080C16MP11	21.0	CF/CM/CU42C	1100	35.4	27.8	16.50	13.75
TCG36B41S	TM8E080C16MP11	21.0	CF/CM/CU48C	1100	36.0	28.2	16.75	13.75
TCG36B41S	TM8E080C16MP11	21.0	CF/CM/CU48D	1100	36.0	28.2	16.50	13.75
TCG36B41S	TM8E080C16MP11	21.0	CF/CM/CU60C	1275	36.0	29.7	16.25	13.50
TCG36B41S	TM8E080C16MP11	21.0	CF/CM/CU60D	1125	36.0	28.0	16.50	13.75
TCG36B41S	TM8E080C16MP11	21.0	CF/CM36D	1125	34.6	28.5	16.25	13.50
TCG36B41S	TM8E080C16MP11	21.0	CF/CM42D	1125	35.4	28.2	16.50	13.75
TCG36B41S	TM8E080C20MP11	21.0	CF/CM/CU36C	1250	34.6	29.8	16.00	13.50
TCG36B41S	TM8E080C20MP11	21.0	CF/CM/CU42C	1250	35.4	29.7	16.50	13.75
TCG36B41S	TM8E080C20MP11	21.0	CF/CM/CU48C	1250	36.0	29.8	16.75	13.75
TCG36B41S	TM8E080C20MP11	21.0	CF/CM/CU48D	1275	36.0	30.6	16.50	13.75
TCG36B41S	TM8E080C20MP11	21.0	CF/CM/CU60C	1250	36.0	29.4	16.75	13.75
TCG36B41S	TM8E080C20MP11	21.0	CF/CM/CU60D	1275	36.0	30.1	16.50	13.75
TCG36B41S	TM8E080C20MP11	21.0	CF/CM36D	1275	34.6	30.1	16.25	13.50
TCG36B41S	TM8E080C20MP11	21.0	CF/CM42D	1275	35.4	30.3	16.75	13.75
TCG36B41S	TM8E100B12MP11	17.5	CF/CM/CU36B	1075	34.6	27.7	15.75	13.00
TCG36B41S	TM8E100B12MP11	17.5	CF/CM/CU36C	1100	34.6	27.8	15.75	13.00
TCG36B41S	TM8E100B12MP11	17.5	CF/CM/CU42C	1100	35.4	27.6	16.00	13.50
TCG36B41S	TM8E100B12MP11	17.5	CF/CM/CU48C	1100	36.0	28.3	16.25	13.50
TCG36B41S	TM8E100B12MP11	17.5	CF/CM/CU60C	1100	36.0	27.4	16.00	13.25
TCG36B41S	TM8E100B12MP11	17.5	CF42B	1050	35.4	27.2	16.00	13.25
TCG36B41S	TM8E100C16MP11	21.0	CF/CM/CU36C	1125	34.6	28.5	16.00	13.50
TCG36B41S	TM8E100C16MP11	21.0	CF/CM/CU42C	1125	35.4	28.2	16.50	13.75
TCG36B41S	TM8E100C16MP11	21.0	CF/CM/CU48C	1125	36.0	28.6	16.75	13.75
TCG36B41S	TM8E100C16MP11	21.0	CF/CM/CU48D	1125	36.0	28.6	16.50	13.75
TCG36B41S	TM8E100C16MP11	21.0	CF/CM/CU60C	1125	36.0	28.1	16.75	13.75
TCG36B41S	TM8E100C16MP11	21.0	CF/CM/CU60D	1125	36.0	28.1	16.50	13.75
TCG36B41S	TM8E100C16MP11	21.0	CF/CM36D	1125	34.6	28.5	16.25	13.50
TCG36B41S	TM8E100C16MP11	21.0	CF/CM42D	1125	35.4	28.2	16.50	13.75
TCG36B41S	TM8E100C20MP11	21.0	CF/CM/CU36C	1250	34.6	29.8	16.00	13.50
TCG36B41S	TM8E100C20MP11	21.0	CF/CM/CU42C	1250	35.4	29.7	16.50	13.75
TCG36B41S	TM8E100C20MP11	21.0	CF/CM/CU48C	1250	36.0	29.8	16.75	13.75
TCG36B41S	TM8E100C20MP11	21.0	CF/CM/CU48D	1275	36.0	30.6	16.50	13.75
TCG36B41S	TM8E100C20MP11	21.0	CF/CM/CU60C	1250	36.0	29.4	16.50	13.75
TCG36B41S	TM8E100C20MP11	21.0	CF/CM/CU60D	1275	36.0	30.1	16.50	13.75
TCG36B41S	TM8E100C20MP11	21.0	CF/CM36D	1275	34.6	30.1	16.25	13.50
TCG36B41S	TM8E100C20MP11	21.0	CF/CM42D	1275	35.4	30.3	16.75	13.75
TCG36B41S	TM8E120C16MP11	21.0	CF/CM/CU36C	1125	34.6	28.5	16.00	13.50
TCG36B41S	TM8E120C16MP11	21.0	CF/CM/CU42C	1125	35.4	28.2	16.50	13.75

COOLING CAPACITY - With High Efficiency Motor Furnaces¹ (Continued)

UNIT MODEL	FURNACE		COIL MODEL ²	COOLING				
	MODEL	WIDTH		RATED CFM	NET MBH		SEER	EER
					TOTAL	SENS.		
TCG36B41S	TM8E120C16MP11	21.0	CF/CM/CU48C	1125	36.0	28.6	16.75	13.75
TCG36B41S	TM8E120C16MP11	21.0	CF/CM/CU48D	1125	36.0	28.6	16.50	13.75
TCG36B41S	TM8E120C16MP11	21.0	CF/CM/CU60C	1125	36.0	28.1	16.75	13.75
TCG36B41S	TM8E120C16MP11	21.0	CF/CM/CU60D	1125	36.0	28.1	16.50	13.75
TCG36B41S	TM8E120C16MP11	21.0	CF/CM36D	1125	34.6	28.5	16.25	13.50
TCG36B41S	TM8E120C16MP11	21.0	CF/CM42D	1125	35.4	28.2	16.50	13.75
TCG36B41S	TM8E120C20MP11	21.0	CF/CM/CU36C	1275	34.6	30.1	16.00	13.25
TCG36B41S	TM8E120C20MP11	21.0	CF/CM/CU42C	1275	35.4	30.3	16.50	13.75
TCG36B41S	TM8E120C20MP11	21.0	CF/CM/CU48C	1300	36.0	30.6	16.75	14.00
TCG36B41S	TM8E120C20MP11	21.0	CF/CM/CU48D	1300	36.0	30.6	16.50	13.75
TCG36B41S	TM8E120C20MP11	21.0	CF/CM/CU60C	1275	36.0	30.2	16.50	13.75
TCG36B41S	TM8E120C20MP11	21.0	CF/CM/CU60D	1325	36.0	29.2	16.50	13.75
TCG36B41S	TM8E120C20MP11	21.0	CF/CM36D	1300	34.6	28.2	15.75	13.00
TCG36B41S	TM8E120C20MP11	21.0	CF/CM42D	1300	35.4	30.7	16.50	13.75
TCG36B41S	TM8E130D20MP11	24.5	CF/CM/CU48D	1300	36.0	30.6	16.75	14.00
TCG36B41S	TM8E130D20MP11	24.5	CF/CM/CU60D	1325	36.0	29.2	16.75	14.00
TCG36B41S	TM8E130D20MP11	24.5	CF/CM36D	1300	34.6	28.2	15.75	13.00
TCG36B41S	TM8E130D20MP11	24.5	CF/CM42D	1300	35.4	30.7	16.50	13.75
TCG36B41S	TM8V080C16MP11C	21.0	CF/CM/CU36C	1050	34.6	26.2	16.00	13.50
TCG36B41S	TM8V080C16MP11C	21.0	CF/CM/CU42C	1075	36.0	26.2	16.25	13.50
TCG36B41S	TM8V080C16MP11C	21.0	CF/CM/CU48C	1075	36.0	26.6	16.50	13.75
TCG36B41S	TM8V080C16MP11C	21.0	CF/CM/CU48D	1050	36.0	26.2	16.50	13.75
TCG36B41S	TM8V080C16MP11C	21.0	CF/CM/CU60C	1075	36.0	26.4	16.50	13.75
TCG36B41S	TM8V080C16MP11C	21.0	CF/CM/CU60D	1075	36.0	26.4	16.50	14.00
TCG36B41S	TM8V080C16MP12C	21.0	CF/CM/CU36C	1150	34.6	28.3	16.25	13.50
TCG36B41S	TM8V080C16MP12C	21.0	CF/CM/CU42C	1200	36.0	29.0	16.25	13.50
TCG36B41S	TM8V080C16MP12C	21.0	CF/CM/CU48C	1150	36.0	28.2	16.50	13.75
TCG36B41S	TM8V080C16MP12C	21.0	CF/CM/CU60C	1200	36.0	29.2	16.50	13.75
TCG36B41S	TM8V100C16MP11C	21.0	CF/CM/CU36C	1050	34.6	26.2	16.00	13.50
TCG36B41S	TM8V100C16MP11C	21.0	CF/CM/CU42C	1075	36.0	26.2	16.25	13.50
TCG36B41S	TM8V100C16MP11C	21.0	CF/CM/CU48C	1075	36.0	26.6	16.50	13.75
TCG36B41S	TM8V100C16MP11C	21.0	CF/CM/CU48D	1050	36.0	26.2	16.50	13.75
TCG36B41S	TM8V100C16MP11C	21.0	CF/CM/CU60C	1075	36.0	26.4	16.50	13.75
TCG36B41S	TM8V100C16MP11C	21.0	CF/CM/CU60D	1075	36.0	26.4	16.50	14.00
TCG36B41S	TM8V100C16MP12C	21.0	CF/CM/CU36C	1150	34.6	28.3	16.25	13.50
TCG36B41S	TM8V100C16MP12C	21.0	CF/CM/CU42C	1200	36.0	29.0	16.25	13.50
TCG36B41S	TM8V100C16MP12C	21.0	CF/CM/CU48C	1150	36.0	28.2	16.50	13.75
TCG36B41S	TM8V100C16MP12C	21.0	CF/CM/CU60C	1200	36.0	29.2	16.50	13.75
TCG36B41S	TM8V100C20MP11C	21.0	CF/CM/CU36C	1150	34.6	27.4	15.75	13.50
TCG36B41S	TM8V100C20MP11C	21.0	CF/CM/CU42C	1150	36.0	27.2	16.25	13.50
TCG36B41S	TM8V100C20MP11C	21.0	CF/CM/CU48C	1250	36.0	28.4	16.25	13.75
TCG36B41S	TM8V100C20MP11C	21.0	CF/CM/CU48D	1125	36.0	27.2	16.25	13.50
TCG36B41S	TM8V100C20MP11C	21.0	CF/CM/CU60C	1225	36.0	28.2	16.50	13.75
TCG36B41S	TM8V100C20MP11C	21.0	CF/CM/CU60D	1225	36.0	28.2	16.50	13.50
TCG36B41S	TM8V100C20MP12C	21.0	CF/CM/CU36C	1150	34.8	28.4	16.00	13.50
TCG36B41S	TM8V100C20MP12C	21.0	CF/CM/CU42C	1225	36.0	29.5	16.50	13.50
TCG36B41S	TM8V100C20MP12C	21.0	CF/CM/CU48C	1150	36.0	28.3	16.50	13.75
TCG36B41S	TM8V100C20MP12C	21.0	CF/CM/CU60C	1225	36.0	29.7	16.75	13.75
TCG36B41S	TM8V120C20MP11C	21.0	CF/CM/CU36C	1150	34.6	27.4	15.75	13.50
TCG36B41S	TM8V120C20MP11C	21.0	CF/CM/CU42C	1150	36.0	27.2	16.25	13.50
TCG36B41S	TM8V120C20MP11C	21.0	CF/CM/CU48C	1250	36.0	28.4	16.25	13.75
TCG36B41S	TM8V120C20MP11C	21.0	CF/CM/CU48D	1125	36.0	27.2	16.25	13.50
TCG36B41S	TM8V120C20MP11C	21.0	CF/CM/CU60C	1225	36.0	28.2	16.50	13.75

COOLING CAPACITY - With High Efficiency Motor Furnaces¹ (Continued)

UNIT MODEL	FURNACE		COIL MODEL ²	COOLING				
	MODEL	WIDTH		RATED CFM	NET MBH		SEER	EER
					TOTAL	SENS.		
TCG36B41S	TM8V120C20MP11C	21.0	CF/CM/CU60D	1225	36.0	28.2	16.50	13.50
TCG36B41S	TM8V120C20MP12C	21.0	CF/CM/CU36C	1150	34.8	28.4	16.00	13.50
TCG36B41S	TM8V120C20MP12C	21.0	CF/CM/CU42C	1225	36.0	29.5	16.50	13.50
TCG36B41S	TM8V120C20MP12C	21.0	CF/CM/CU48C	1150	36.0	28.3	16.50	13.75
TCG36B41S	TM8V120C20MP12C	21.0	CF/CM/CU60C	1225	36.0	29.7	16.75	13.75
TCG36B41S	TM8X060A12MP11	14.5	CF/CM36A	975	34.6	25.0	15.50	13.25
TCG36B41S	TM8X080B12MP11	17.5	CF/CM/CU36B	1000	34.6	25.4	15.75	13.50
TCG36B41S	TM8X080B12MP11	17.5	CF42B	1000	35.4	25.2	16.20	13.50
TCG36B41S	TM8X080C16MP11	21.0	CF/CM/CU36C	1050	34.6	26.2	16.25	13.75
TCG36B41S	TM8X080C16MP11	21.0	CF/CM/CU42C	1050	35.4	26.0	16.50	13.75
TCG36B41S	TM8X080C16MP11	21.0	CF/CM/CU48C	1050	36.0	26.2	17.00	14.00
TCG36B41S	TM8X080C16MP11	21.0	CF/CM/CU48D	1075	36.0	26.6	17.00	14.00
TCG36B41S	TM8X080C16MP11	21.0	CF/CM/CU60C	1050	36.0	26.4	17.00	14.00
TCG36B41S	TM8X080C16MP11	21.0	CF/CM/CU60D	1075	36.0	26.6	17.00	14.00
TCG36B41S	TM8X080C16MP11	21.0	CF/CM36D	1075	34.6	26.2	16.50	13.75
TCG36B41S	TM8X080C16MP11	21.0	CF/CM42D	1075	35.4	26.4	16.50	14.00
TCG36B41S	TM8X100C16MP11	21.0	CF/CM/CU36C	1050	34.6	26.2	16.25	13.75
TCG36B41S	TM8X100C16MP11	21.0	CF/CM/CU42C	1050	35.4	26.0	16.50	13.75
TCG36B41S	TM8X100C16MP11	21.0	CF/CM/CU48C	1050	36.0	26.2	17.00	14.00
TCG36B41S	TM8X100C16MP11	21.0	CF/CM/CU48D	1075	36.0	26.6	17.00	14.00
TCG36B41S	TM8X100C16MP11	21.0	CF/CM/CU60C	1050	36.0	26.4	17.00	14.00
TCG36B41S	TM8X100C16MP11	21.0	CF/CM/CU60D	1075	36.0	26.6	17.00	14.00
TCG36B41S	TM8X100C16MP11	21.0	CF/CM36D	1075	34.6	26.2	16.50	13.75
TCG36B41S	TM8X100C16MP11	21.0	CF/CM42D	1075	35.4	26.4	16.50	14.00
TCG36B41S	TM8X100C20MP11	21.0	CF/CM/CU36C	1075	34.6	26.2	16.25	13.75
TCG36B41S	TM8X100C20MP11	21.0	CF/CM/CU42C	1075	35.4	26.4	16.50	14.00
TCG36B41S	TM8X100C20MP11	21.0	CF/CM/CU48C	1075	36.0	26.6	17.00	14.00
TCG36B41S	TM8X100C20MP11	21.0	CF/CM/CU48D	1100	36.0	26.8	17.00	14.00
TCG36B41S	TM8X100C20MP11	21.0	CF/CM/CU60C	1075	36.0	26.6	17.00	14.25
TCG36B41S	TM8X100C20MP11	21.0	CF/CM/CU60D	1075	36.0	26.6	17.00	14.25
TCG36B41S	TM8X100C20MP11	21.0	CF/CM36D	1100	34.6	26.2	16.50	13.75
TCG36B41S	TM8X100C20MP11	21.0	CF/CM42D	1100	35.4	26.6	16.50	14.00
TCG36B41S	TM8X120C20MP11	21.0	CF/CM/CU36C	1075	34.6	26.2	16.25	13.75
TCG36B41S	TM8X120C20MP11	21.0	CF/CM/CU42C	1075	35.4	26.4	16.50	14.00
TCG36B41S	TM8X120C20MP11	21.0	CF/CM/CU48C	1075	36.0	26.6	17.00	14.00
TCG36B41S	TM8X120C20MP11	21.0	CF/CM/CU48D	1100	36.0	26.8	17.00	14.00
TCG36B41S	TM8X120C20MP11	21.0	CF/CM/CU60C	1075	36.0	26.6	17.00	14.25
TCG36B41S	TM8X120C20MP11	21.0	CF/CM/CU60D	1075	36.0	26.6	17.00	14.25
TCG36B41S	TM8X120C20MP11	21.0	CF/CM36D	1100	34.6	26.2	16.50	13.75
TCG36B41S	TM8X120C20MP11	21.0	CF/CM42D	1100	35.4	26.6	16.50	14.00
TCG36B41S	TM8Y060A12MP11	14.5	CF/CM36A	975	34.6	25.0	15.50	13.25
TCG36B41S	TM8Y080B12MP11	17.5	CF/CM/CU36B	1000	34.6	25.4	15.75	13.50
TCG36B41S	TM8Y080B12MP11	17.5	CF42B	1000	35.4	25.2	16.20	13.50
TCG36B41S	TM8Y080C16MP11	21.0	CF/CM/CU36C	1050	34.6	26.2	16.25	13.75
TCG36B41S	TM8Y080C16MP11	21.0	CF/CM/CU42C	1050	35.4	26.0	16.50	13.75
TCG36B41S	TM8Y080C16MP11	21.0	CF/CM/CU48C	1050	36.0	26.2	17.00	14.00
TCG36B41S	TM8Y080C16MP11	21.0	CF/CM/CU48D	1075	36.0	26.6	17.00	14.00
TCG36B41S	TM8Y080C16MP11	21.0	CF/CM/CU60C	1050	36.0	26.4	17.00	14.00
TCG36B41S	TM8Y080C16MP11	21.0	CF/CM/CU60D	1075	36.0	26.6	17.00	14.00
TCG36B41S	TM8Y080C16MP11	21.0	CF/CM36D	1075	34.6	26.2	16.50	13.75
TCG36B41S	TM8Y080C16MP11	21.0	CF/CM42D	1075	35.4	26.4	16.50	14.00
TCG36B41S	TM8Y100C16MP11	21.0	CF/CM/CU36C	1050	34.6	26.2	16.25	13.75
TCG36B41S	TM8Y100C16MP11	21.0	CF/CM/CU42C	1050	35.4	26.0	16.50	13.75

COOLING CAPACITY - With High Efficiency Motor Furnaces¹ (Continued)

UNIT MODEL	FURNACE		COIL MODEL ²	COOLING				
	MODEL	WIDTH		RATED CFM	NET MBH		SEER	EER
					TOTAL	SENS.		
TCG36B41S	TM8Y100C16MP11	21.0	CF/CM/CU48C	1050	36.0	26.2	17.00	14.00
TCG36B41S	TM8Y100C16MP11	21.0	CF/CM/CU48D	1075	36.0	26.6	17.00	14.00
TCG36B41S	TM8Y100C16MP11	21.0	CF/CM/CU60C	1050	36.0	26.4	17.00	14.00
TCG36B41S	TM8Y100C16MP11	21.0	CF/CM/CU60D	1075	36.0	26.6	17.00	14.00
TCG36B41S	TM8Y100C16MP11	21.0	CF/CM36D	1075	34.6	26.2	16.50	13.75
TCG36B41S	TM8Y100C16MP11	21.0	CF/CM42D	1075	35.4	26.4	16.50	14.00
TCG36B41S	TM8Y100C20MP11	21.0	CF/CM/CU36C	1075	34.6	26.2	16.25	13.75
TCG36B41S	TM8Y100C20MP11	21.0	CF/CM/CU42C	1075	35.4	26.4	16.50	14.00
TCG36B41S	TM8Y100C20MP11	21.0	CF/CM/CU48C	1075	36.0	26.6	17.00	14.00
TCG36B41S	TM8Y100C20MP11	21.0	CF/CM/CU48D	1100	36.0	26.8	17.00	14.00
TCG36B41S	TM8Y100C20MP11	21.0	CF/CM/CU60C	1075	36.0	26.6	17.00	14.25
TCG36B41S	TM8Y100C20MP11	21.0	CF/CM/CU60D	1075	36.0	26.6	17.00	14.25
TCG36B41S	TM8Y100C20MP11	21.0	CF/CM36D	1100	34.6	26.2	16.50	13.75
TCG36B41S	TM8Y100C20MP11	21.0	CF/CM42D	1100	35.4	26.6	16.50	14.00
TCG36B41S	TM8Y120C20MP11	21.0	CF/CM/CU36C	1075	34.6	26.2	16.25	13.75
TCG36B41S	TM8Y120C20MP11	21.0	CF/CM/CU42C	1075	35.4	26.4	16.50	14.00
TCG36B41S	TM8Y120C20MP11	21.0	CF/CM/CU48C	1075	36.0	26.6	17.00	14.00
TCG36B41S	TM8Y120C20MP11	21.0	CF/CM/CU48D	1100	36.0	26.8	17.00	14.00
TCG36B41S	TM8Y120C20MP11	21.0	CF/CM/CU60C	1075	36.0	26.6	17.00	14.25
TCG36B41S	TM8Y120C20MP11	21.0	CF/CM/CU60D	1075	36.0	26.6	17.00	14.25
TCG36B41S	TM8Y120C20MP11	21.0	CF/CM36D	1100	34.6	26.2	16.50	13.75
TCG36B41S	TM8Y120C20MP11	21.0	CF/CM42D	1100	35.4	26.6	16.50	14.00
TCG36B41S	TM9E060A10MP12	14.5	CF/CM/CU36B	1025	34.6	26.8	15.00	12.50
TCG36B41S	TM9E060A10MP12	14.5	CF42B	1025	35.4	26.7	15.25	12.50
TCG36B41S	TM9E060B12MP11	17.5	CF/CM/CU36B	1100	34.6	27.5	15.25	12.50
TCG36B41S	TM9E060B12MP11	17.5	CF/CM/CU36C	975	34.6	26.4	15.25	12.50
TCG36B41S	TM9E060B12MP11	17.5	CF/CM/CU42C	975	35.4	26.1	15.50	12.75
TCG36B41S	TM9E060B12MP11	17.5	CF/CM/CU48C	975	36.0	26.5	15.75	13.00
TCG36B41S	TM9E060B12MP11	17.5	CF/CM/CU60C	975	36.0	25.8	15.75	13.00
TCG36B41S	TM9E060B12MP11	17.5	CF42B	1100	35.4	27.5	15.50	12.75
TCG36B41S	TM9E060B12MP12	17.5	CF/CM/CU36B	1075	34.6	27.6	15.00	12.50
TCG36B41S	TM9E060B12MP12	17.5	CF/CM/CU36C	1100	34.6	27.7	15.25	12.50
TCG36B41S	TM9E060B12MP12	17.5	CF/CM/CU42C	1100	35.4	27.5	15.50	12.75
TCG36B41S	TM9E060B12MP12	17.5	CF/CM/CU48C	1100	36.0	27.9	15.75	13.00
TCG36B41S	TM9E060B12MP12	17.5	CF/CM/CU60C	1100	36.0	27.3	15.50	12.75
TCG36B41S	TM9E060B12MP12	17.5	CF42B	1050	35.4	27.0	15.50	12.75
TCG36B41S	TM9E080B12MP11	17.5	CF/CM/CU36B	975	34.6	25.0	15.50	13.25
TCG36B41S	TM9E080B12MP11	17.5	CF42B	975	35.4	25.2	16.20	13.25
TCG36B41S	TM9E080B12MP12	17.5	CF/CM/CU36B	1050	34.6	27.0	15.50	12.75
TCG36B41S	TM9E080B12MP12	17.5	CF/CM/CU36C	1075	34.6	27.7	15.75	13.00
TCG36B41S	TM9E080B12MP12	17.5	CF/CM/CU42C	1075	35.4	27.6	16.00	13.25
TCG36B41S	TM9E080B12MP12	17.5	CF/CM/CU48C	1075	36.0	27.8	16.00	13.25
TCG36B41S	TM9E080B12MP12	17.5	CF/CM/CU60C	1075	36.0	27.3	16.00	13.25
TCG36B41S	TM9E080B12MP12	17.5	CF42B	1025	35.4	26.8	15.75	13.00
TCG36B41S	TM9E080C16MP11	21.0	CF/CM/CU36C	975	34.6	26.5	16.00	13.50
TCG36B41S	TM9E080C16MP11	21.0	CF/CM/CU42C	975	35.4	26.2	16.25	13.50
TCG36B41S	TM9E080C16MP11	21.0	CF/CM/CU48C	975	36.0	26.4	16.50	13.75
TCG36B41S	TM9E080C16MP11	21.0	CF/CM/CU48D	975	36.0	26.4	16.50	13.75
TCG36B41S	TM9E080C16MP11	21.0	CF/CM/CU60C	975	36.0	26.0	16.50	13.75
TCG36B41S	TM9E080C16MP11	21.0	CF/CM/CU60D	1000	36.0	26.3	16.50	13.75
TCG36B41S	TM9E080C16MP11	21.0	CF/CM36D	975	34.6	26.5	16.25	13.50
TCG36B41S	TM9E080C16MP11	21.0	CF/CM42D	975	35.4	26.2	16.50	13.75
TCG36B41S	TM9E080C16MP12	21.0	CF/CM/CU36C	1075	34.6	27.7	15.75	13.00

COOLING CAPACITY - With High Efficiency Motor Furnaces¹ (Continued)

UNIT MODEL	FURNACE		COIL MODEL ²	COOLING				
	MODEL	WIDTH		RATED CFM	NET MBH		SEER	EER
					TOTAL	SENS.		
TCG36B41S	TM9E080C16MP12	21.0	CF/CM/CU42C	1075	35.4	27.8	16.25	13.50
TCG36B41S	TM9E080C16MP12	21.0	CF/CM/CU48C	1100	36.0	28.2	16.50	13.75
TCG36B41S	TM9E080C16MP12	21.0	CF/CM/CU48D	1100	36.0	28.2	16.50	13.50
TCG36B41S	TM9E080C16MP12	21.0	CF/CM/CU60C	1075	36.0	27.5	16.25	13.50
TCG36B41S	TM9E080C16MP12	21.0	CF/CM/CU60D	1100	36.0	27.6	16.25	13.50
TCG36B41S	TM9E080C16MP12	21.0	CF/CM36D	1100	34.6	27.8	16.00	13.50
TCG36B41S	TM9E080C16MP12	21.0	CF/CM42D	1100	35.4	27.8	16.25	13.50
TCG36B41S	TM9E080C20MP12	21.0	CF/CM/CU36C	1225	34.6	29.5	16.00	13.50
TCG36B41S	TM9E080C20MP12	21.0	CF/CM/CU42C	1225	35.4	29.3	16.50	13.75
TCG36B41S	TM9E080C20MP12	21.0	CF/CM/CU48C	1225	36.0	29.6	16.75	13.75
TCG36B41S	TM9E080C20MP12	21.0	CF/CM/CU48D	1250	36.0	29.8	16.50	13.75
TCG36B41S	TM9E080C20MP12	21.0	CF/CM/CU60C	1225	36.0	28.9	16.75	13.75
TCG36B41S	TM9E080C20MP12	21.0	CF/CM/CU60D	1250	36.0	29.4	16.50	13.75
TCG36B41S	TM9E080C20MP12	21.0	CF/CM36D	1250	34.6	29.8	16.25	13.50
TCG36B41S	TM9E080C20MP12	21.0	CF/CM42D	1250	35.4	29.7	16.75	14.00
TCG36B41S	TM9E100C16MP11	21.0	CF/CM/CU36C	1075	34.6	26.2	16.20	13.50
TCG36B41S	TM9E100C16MP11	21.0	CF/CM/CU42C	1075	35.4	26.2	16.25	13.75
TCG36B41S	TM9E100C16MP11	21.0	CF/CM/CU48C	1075	36.0	26.6	16.50	13.75
TCG36B41S	TM9E100C16MP11	21.0	CF/CM/CU48D	1075	36.0	26.6	16.50	14.00
TCG36B41S	TM9E100C16MP11	21.0	CF/CM/CU60C	1075	36.0	26.6	16.50	14.00
TCG36B41S	TM9E100C16MP11	21.0	CF/CM/CU60D	1075	36.0	26.6	16.50	14.00
TCG36B41S	TM9E100C16MP11	21.0	CF/CM36D	1075	34.6	26.2	16.25	13.50
TCG36B41S	TM9E100C16MP11	21.0	CF/CM42D	1075	35.4	26.4	16.50	13.75
TCG36B41S	TM9E100C16MP12	21.0	CF/CM/CU36C	1075	34.6	27.9	16.00	13.50
TCG36B41S	TM9E100C16MP12	21.0	CF/CM/CU42C	1075	35.4	27.8	16.50	13.75
TCG36B41S	TM9E100C16MP12	21.0	CF/CM/CU48C	1075	36.0	28.0	16.75	13.75
TCG36B41S	TM9E100C16MP12	21.0	CF/CM/CU48D	1075	36.0	28.0	16.50	13.75
TCG36B41S	TM9E100C16MP12	21.0	CF/CM/CU60C	1075	36.0	27.4	16.50	13.75
TCG36B41S	TM9E100C16MP12	21.0	CF/CM/CU60D	1075	36.0	27.4	16.25	13.50
TCG36B41S	TM9E100C16MP12	21.0	CF/CM36D	1075	34.6	27.9	16.00	13.50
TCG36B41S	TM9E100C16MP12	21.0	CF/CM42D	1075	35.4	27.7	16.50	13.75
TCG36B41S	TM9E100C20MP11	21.0	CF/CM/CU36C	975	34.6	25.2	16.25	13.75
TCG36B41S	TM9E100C20MP11	21.0	CF/CM/CU42C	975	35.4	25.4	16.50	13.75
TCG36B41S	TM9E100C20MP11	21.0	CF/CM/CU48C	975	36.0	25.6	17.00	14.00
TCG36B41S	TM9E100C20MP11	21.0	CF/CM/CU48D	1000	36.0	25.6	17.00	14.00
TCG36B41S	TM9E100C20MP11	21.0	CF/CM/CU60C	1250	36.0	28.6	16.50	14.00
TCG36B41S	TM9E100C20MP11	21.0	CF/CM/CU60D	975	36.0	25.6	17.00	14.00
TCG36B41S	TM9E100C20MP11	21.0	CF/CM36D	975	34.6	25.2	16.25	13.75
TCG36B41S	TM9E100C20MP11	21.0	CF/CM42D	975	35.4	25.4	16.50	13.75
TCG36B41S	TM9E100C20MP12	21.0	CF/CM/CU36C	1200	34.6	29.2	16.00	13.50
TCG36B41S	TM9E100C20MP12	21.0	CF/CM/CU42C	1225	35.4	29.2	16.50	13.75
TCG36B41S	TM9E100C20MP12	21.0	CF/CM/CU48C	1225	36.0	29.6	16.75	13.75
TCG36B41S	TM9E100C20MP12	21.0	CF/CM/CU48D	1225	36.0	29.6	16.50	13.75
TCG36B41S	TM9E100C20MP12	21.0	CF/CM/CU60C	1225	36.0	28.9	16.75	14.00
TCG36B41S	TM9E100C20MP12	21.0	CF/CM/CU60D	1250	36.0	29.9	16.50	13.75
TCG36B41S	TM9E100C20MP12	21.0	CF/CM36D	1225	34.6	29.7	16.25	13.50
TCG36B41S	TM9E100C20MP12	21.0	CF/CM42D	1225	35.4	29.2	16.50	13.75
TCG36B41S	TM9E120D20MP11	24.5	CF/CM/CU48D	1000	36.0	25.6	17.00	14.00
TCG36B41S	TM9E120D20MP11	24.5	CF/CM/CU60D	975	36.0	25.6	17.00	14.25
TCG36B41S	TM9E120D20MP11	24.5	CF/CM36D	975	34.6	25.2	16.50	14.00
TCG36B41S	TM9E120D20MP11	24.5	CF/CM42D	975	35.4	25.4	16.50	14.00
TCG36B41S	TM9E120D20MP12	24.5	CF/CM/CU48D	1250	36.0	29.8	16.75	13.75
TCG36B41S	TM9E120D20MP12	24.5	CF/CM/CU60D	1250	36.0	29.4	16.50	13.75

COOLING CAPACITY - With High Efficiency Motor Furnaces¹ (Continued)

UNIT MODEL	FURNACE		COIL MODEL ²	COOLING				
	MODEL	WIDTH		RATED CFM	NET MBH		SEER	EER
					TOTAL	SENS.		
TCG36B41S	TM9E120D20MP12	24.5	CF/CM36D	1250	34.6	29.8	16.00	13.50
TCG36B41S	TM9E120D20MP12	24.5	CF/CM42D	1250	35.4	29.7	16.50	13.75
TCG36B41S	TM9V060B12MP11C	17.5	CF/CM/CU36B	1050	34.6	26.0	15.75	13.25
TCG36B41S	TM9V060B12MP11C	17.5	CF/CM/CU36C	1000	34.6	26.4	15.25	12.50
TCG36B41S	TM9V060B12MP11C	17.5	CF/CM/CU42C	1000	35.4	26.4	15.75	13.00
TCG36B41S	TM9V060B12MP11C	17.5	CF/CM/CU48C	1000	36.0	26.7	15.75	13.00
TCG36B41S	TM9V060B12MP11C	17.5	CF/CM/CU60C	1000	36.0	26.2	15.75	13.00
TCG36B41S	TM9V060B12MP11C	17.5	CF42B	1050	35.4	25.8	16.20	13.50
TCG36B41S	TM9V060B12MP12C	17.5	CF/CM/CU36B	1000	34.6	26.2	15.50	12.75
TCG36B41S	TM9V060B12MP12C	17.5	CF/CM/CU36C	1000	34.6	26.4	15.25	12.50
TCG36B41S	TM9V060B12MP12C	17.5	CF/CM/CU42C	1000	35.4	26.4	15.75	13.00
TCG36B41S	TM9V060B12MP12C	17.5	CF/CM/CU48C	1000	36.0	26.7	15.75	13.00
TCG36B41S	TM9V060B12MP12C	17.5	CF/CM/CU60C	1000	36.0	26.2	15.75	13.00
TCG36B41S	TM9V060B12MP12C	17.5	CF42B	1000	35.4	26.3	15.75	13.00
TCG36B41S	TM9V080B12MP11C	17.5	CF/CM/CU36B	1050	34.6	26.0	15.75	13.25
TCG36B41S	TM9V080B12MP11C	17.5	CF42B	1050	35.4	25.8	16.20	13.50
TCG36B41S	TM9V080B12MP12C	17.5	CF/CM/CU36B	1175	35.0	28.8	15.75	13.25
TCG36B41S	TM9V080B12MP12C	17.5	CF42B	1075	35.4	26.4	16.00	13.25
TCG36B41S	TM9V080C16MP11C	21.0	CF/CM/CU36C	1000	34.6	25.4	16.00	13.75
TCG36B41S	TM9V080C16MP11C	21.0	CF/CM/CU42C	1000	35.4	25.2	16.50	13.75
TCG36B41S	TM9V080C16MP11C	21.0	CF/CM/CU48C	1250	36.0	28.2	16.25	13.50
TCG36B41S	TM9V080C16MP11C	21.0	CF/CM/CU48D	1200	36.0	27.8	16.50	14.00
TCG36B41S	TM9V080C16MP11C	21.0	CF/CM/CU60C	1200	36.0	27.8	16.50	14.00
TCG36B41S	TM9V080C16MP11C	21.0	CF/CM/CU60D	1050	36.0	26.4	16.50	14.00
TCG36B41S	TM9V100C16MP11C	21.0	CF/CM/CU36C	1000	34.6	25.4	16.00	13.75
TCG36B41S	TM9V100C16MP11C	21.0	CF/CM/CU42C	1000	35.4	25.2	16.50	13.75
TCG36B41S	TM9V100C16MP11C	21.0	CF/CM/CU48C	1250	36.0	28.2	16.25	13.50
TCG36B41S	TM9V100C16MP11C	21.0	CF/CM/CU48D	1200	36.0	27.8	16.50	14.00
TCG36B41S	TM9V100C16MP11C	21.0	CF/CM/CU60C	1200	36.0	27.8	16.50	14.00
TCG36B41S	TM9V100C16MP11C	21.0	CF/CM/CU60D	1050	36.0	26.4	16.50	14.00
TCG36B41S	TM9V100C16MP12C	21.0	CF/CM/CU36C	1175	35.6	29.1	16.25	13.75
TCG36B41S	TM9V100C16MP12C	21.0	CF/CM/CU42C	1175	36.0	28.7	16.50	13.75
TCG36B41S	TM9V100C16MP12C	21.0	CF/CM/CU48C	1175	36.0	28.8	16.50	13.75
TCG36B41S	TM9V100C16MP12C	21.0	CF/CM/CU60C	1175	36.0	28.8	16.50	14.00
TCG36B41S	TM9V100C20MP11C	21.0	CF/CM/CU36C	1075	34.6	26.0	15.75	13.50
TCG36B41S	TM9V100C20MP11C	21.0	CF/CM/CU42C	1250	35.4	28.0	15.75	13.25
TCG36B41S	TM9V100C20MP11C	21.0	CF/CM/CU48C	1175	36.0	27.4	16.25	13.50
TCG36B41S	TM9V100C20MP11C	21.0	CF/CM/CU48D	1250	36.0	28.2	16.25	13.50
TCG36B41S	TM9V100C20MP11C	21.0	CF/CM/CU60C	1175	36.0	27.4	16.25	13.50
TCG36B41S	TM9V100C20MP11C	21.0	CF/CM/CU60D	1175	36.0	27.4	16.50	13.75
TCG36B41S	TM9V100C20MP12C	21.0	CF/CM/CU36C	1225	35.2	29.4	15.75	13.50
TCG36B41S	TM9V100C20MP12C	21.0	CF/CM/CU42C	1225	35.4	29.4	16.25	13.50
TCG36B41S	TM9V100C20MP12C	21.0	CF/CM/CU48C	1225	36.0	29.6	16.25	13.50
TCG36B41S	TM9V100C20MP12C	21.0	CF/CM/CU60C	1225	36.0	29.8	16.50	13.50
TCG36B41S	TM9V120D20MP11C	24.5	CF/CM/CU48D	1225	36.0	28.4	16.50	13.75
TCG36B41S	TM9V120D20MP11C	24.5	CF/CM/CU60D	1250	36.0	28.6	16.50	14.00
TCG36B41S	TM9V120D20MP11C	24.5	CF/CM36D	1125	34.6	26.2	16.50	14.00
TCG36B41S	TM9V120D20MP11C	24.5	CF/CM42D	1125	35.4	26.8	16.50	13.75
TCG36B41S	TM9V120D20MP12C	24.5	CF/CM/CU36D	1200	34.6	29.1	16.50	14.25
TCG36B41S	TM9V120D20MP12C	24.5	CF/CM/CU42D	1200	35.8	29.0	16.75	13.75
TCG36B41S	TM9V120D20MP12C	24.5	CF/CM/CU48D	1200	36.0	29.4	16.75	13.75
TCG36B41S	TM9V120D20MP12C	24.5	CF/CM/CU60D	1200	36.0	29.6	16.75	14.00
TCG36B41S	TM9Y060B12MP11	17.5	CF/CM/CU36B	1100	34.6	27.5	15.25	12.50

COOLING CAPACITY - With High Efficiency Motor Furnaces¹ (Continued)

UNIT MODEL	FURNACE		COIL MODEL ²	COOLING				
	MODEL	WIDTH		RATED CFM	NET MBH		SEER	EER
					TOTAL	SENS.		
TCG36B41S	TM9Y060B12MP11	17.5	CF/CM/CU36C	975	34.6	26.4	15.25	12.50
TCG36B41S	TM9Y060B12MP11	17.5	CF/CM/CU42C	975	35.4	26.1	15.50	12.75
TCG36B41S	TM9Y060B12MP11	17.5	CF/CM/CU48C	975	36.0	26.5	15.75	13.00
TCG36B41S	TM9Y060B12MP11	17.5	CF/CM/CU60C	975	36.0	25.8	15.75	13.00
TCG36B41S	TM9Y060B12MP11	17.5	CF42B	1100	35.4	27.5	15.50	12.75
TCG36B41S	TM9Y080B12MP11	17.5	CF/CM/CU36B	975	34.6	25.0	15.50	13.25
TCG36B41S	TM9Y080B12MP11	17.5	CF42B	975	35.4	25.2	16.20	13.25
TCG36B41S	TM9Y080C16MP11	21.0	CF/CM/CU36C	975	34.6	26.5	16.00	13.50
TCG36B41S	TM9Y080C16MP11	21.0	CF/CM/CU42C	975	35.4	26.2	16.25	13.50
TCG36B41S	TM9Y080C16MP11	21.0	CF/CM/CU48C	975	36.0	26.4	16.50	13.75
TCG36B41S	TM9Y080C16MP11	21.0	CF/CM/CU48D	975	36.0	26.4	16.50	13.75
TCG36B41S	TM9Y080C16MP11	21.0	CF/CM/CU60C	975	36.0	26.0	16.50	13.75
TCG36B41S	TM9Y080C16MP11	21.0	CF/CM/CU60D	1000	36.0	26.3	16.50	13.75
TCG36B41S	TM9Y080C16MP11	21.0	CF/CM36D	975	34.6	26.5	16.25	13.50
TCG36B41S	TM9Y080C16MP11	21.0	CF/CM42D	975	35.4	26.2	16.50	13.75
TCG36B41S	TM9Y100C16MP11	21.0	CF/CM/CU36C	1075	34.6	26.2	16.20	13.50
TCG36B41S	TM9Y100C16MP11	21.0	CF/CM/CU42C	1075	35.4	26.2	16.25	13.75
TCG36B41S	TM9Y100C16MP11	21.0	CF/CM/CU48C	1075	36.0	26.6	16.50	13.75
TCG36B41S	TM9Y100C16MP11	21.0	CF/CM/CU48D	1075	36.0	26.6	16.50	14.00
TCG36B41S	TM9Y100C16MP11	21.0	CF/CM/CU60C	1075	36.0	26.6	16.50	14.00
TCG36B41S	TM9Y100C16MP11	21.0	CF/CM/CU60D	1075	36.0	26.6	16.50	14.00
TCG36B41S	TM9Y100C16MP11	21.0	CF/CM36D	1075	34.6	26.2	16.25	13.50
TCG36B41S	TM9Y100C16MP11	21.0	CF/CM42D	1075	35.4	26.4	16.50	13.75
TCG36B41S	TM9Y100C20MP11	21.0	CF/CM/CU36C	975	34.6	25.2	16.25	13.75
TCG36B41S	TM9Y100C20MP11	21.0	CF/CM/CU42C	975	35.4	25.4	16.50	13.75
TCG36B41S	TM9Y100C20MP11	21.0	CF/CM/CU48C	975	36.0	25.6	17.00	14.00
TCG36B41S	TM9Y100C20MP11	21.0	CF/CM/CU48D	1000	36.0	25.6	17.00	14.00
TCG36B41S	TM9Y100C20MP11	21.0	CF/CM/CU60C	1250	36.0	28.6	16.50	14.00
TCG36B41S	TM9Y100C20MP11	21.0	CF/CM/CU60D	975	36.0	25.6	17.00	14.00
TCG36B41S	TM9Y100C20MP11	21.0	CF/CM36D	975	34.6	25.2	16.25	13.75
TCG36B41S	TM9Y100C20MP11	21.0	CF/CM42D	975	35.4	25.4	16.50	13.75
TCG36B41S	TM9Y120D20MP11	24.5	CF/CM/CU48D	1000	36.0	25.6	17.00	14.00
TCG36B41S	TM9Y120D20MP11	24.5	CF/CM/CU60D	975	36.0	25.6	17.00	14.25
TCG36B41S	TM9Y120D20MP11	24.5	CF/CM36D	975	34.6	25.2	16.50	14.00
TCG36B41S	TM9Y120D20MP11	24.5	CF/CM42D	975	35.4	25.4	16.50	14.00
TCG36B41S	TMLE040A12MP11	14.5	CF/CM/CU36B	1025	34.6	27.1	15.75	13.00
TCG36B41S	TMLE040A12MP11	14.5	CF42B	1000	35.4	26.4	16.00	13.25
TCG36B41S	TMLE060A12MP11	14.5	CF/CM/CU36B	1025	34.6	27.1	15.75	13.00
TCG36B41S	TMLE060A12MP11	14.5	CF42B	1000	35.4	26.4	16.00	13.25
TCG36B41S	TMLE080B12MP11	17.5	CF/CM/CU36B	1025	34.6	27.1	15.75	13.00
TCG36B41S	TMLE080B12MP11	17.5	CF/CM/CU36C	1050	34.6	27.2	15.75	13.00
TCG36B41S	TMLE080B12MP11	17.5	CF/CM/CU42C	1050	35.4	27.3	16.00	13.50
TCG36B41S	TMLE080B12MP11	17.5	CF/CM/CU48C	1050	36.0	27.3	16.25	13.50
TCG36B41S	TMLE080B12MP11	17.5	CF/CM/CU60C	1050	36.0	27.0	16.00	13.25
TCG36B41S	TMLE080B12MP11	17.5	CF42B	1025	35.4	26.8	16.00	13.25
TCG36B41S	TMLE080C16MP11	21.0	CF/CM/CU36C	1100	34.6	28.0	16.25	13.50
TCG36B41S	TMLE080C16MP11	21.0	CF/CM/CU42C	1100	35.4	27.8	16.50	13.75
TCG36B41S	TMLE080C16MP11	21.0	CF/CM/CU48C	1100	36.0	28.2	16.75	13.75
TCG36B41S	TMLE080C16MP11	21.0	CF/CM/CU48D	1100	36.0	28.2	16.50	13.75
TCG36B41S	TMLE080C16MP11	21.0	CF/CM/CU60C	1275	36.0	29.7	16.25	13.50
TCG36B41S	TMLE080C16MP11	21.0	CF/CM/CU60D	1125	36.0	28.0	16.50	13.75
TCG36B41S	TMLE080C16MP11	21.0	CF/CM36D	1125	34.6	28.5	16.25	13.50
TCG36B41S	TMLE080C16MP11	21.0	CF/CM42D	1125	35.4	28.2	16.50	13.75

COOLING CAPACITY - With High Efficiency Motor Furnaces¹ (Continued)

UNIT MODEL	FURNACE		COIL MODEL ²	COOLING				
	MODEL	WIDTH		RATED CFM	NET MBH		SEER	EER
					TOTAL	SENS.		
TCG36B41S	TMLE080C20MP11	21.0	CF/CM/CU36C	1250	34.6	29.8	16.00	13.50
TCG36B41S	TMLE080C20MP11	21.0	CF/CM/CU42C	1250	35.4	29.7	16.50	13.75
TCG36B41S	TMLE080C20MP11	21.0	CF/CM/CU48C	1250	36.0	29.8	16.75	13.75
TCG36B41S	TMLE080C20MP11	21.0	CF/CM/CU48D	1275	36.0	30.6	16.50	13.75
TCG36B41S	TMLE080C20MP11	21.0	CF/CM/CU60C	1250	36.0	29.4	16.75	13.75
TCG36B41S	TMLE080C20MP11	21.0	CF/CM/CU60D	1275	36.0	30.1	16.50	13.75
TCG36B41S	TMLE080C20MP11	21.0	CF/CM36D	1275	34.6	30.1	16.25	13.50
TCG36B41S	TMLE080C20MP11	21.0	CF/CM42D	1275	35.4	30.3	16.75	13.75
TCG36B41S	TMLE100B12MP11	17.5	CF/CM/CU36B	1075	34.6	27.7	15.75	13.00
TCG36B41S	TMLE100B12MP11	17.5	CF/CM/CU36C	1100	34.6	27.8	15.75	13.00
TCG36B41S	TMLE100B12MP11	17.5	CF/CM/CU42C	1100	35.4	27.6	16.00	13.50
TCG36B41S	TMLE100B12MP11	17.5	CF/CM/CU48C	1100	36.0	28.3	16.25	13.50
TCG36B41S	TMLE100B12MP11	17.5	CF/CM/CU60C	1100	36.0	27.4	16.00	13.25
TCG36B41S	TMLE100B12MP11	17.5	CF42B	1050	35.4	27.2	16.00	13.25
TCG36B41S	TMLE100C16MP11	21.0	CF/CM/CU36C	1125	34.6	28.5	16.00	13.50
TCG36B41S	TMLE100C16MP11	21.0	CF/CM/CU42C	1125	35.4	28.2	16.50	13.75
TCG36B41S	TMLE100C16MP11	21.0	CF/CM/CU48C	1125	36.0	28.6	16.75	13.75
TCG36B41S	TMLE100C16MP11	21.0	CF/CM/CU48D	1125	36.0	28.6	16.50	13.75
TCG36B41S	TMLE100C16MP11	21.0	CF/CM/CU60C	1125	36.0	28.1	16.75	13.75
TCG36B41S	TMLE100C16MP11	21.0	CF/CM/CU60D	1125	36.0	28.1	16.50	13.75
TCG36B41S	TMLE100C16MP11	21.0	CF/CM36D	1125	34.6	28.5	16.25	13.50
TCG36B41S	TMLE100C16MP11	21.0	CF/CM42D	1125	35.4	28.2	16.50	13.75
TCG36B41S	TMLE100C20MP11	21.0	CF/CM/CU36C	1250	34.6	29.8	16.00	13.50
TCG36B41S	TMLE100C20MP11	21.0	CF/CM/CU42C	1250	35.4	29.7	16.50	13.75
TCG36B41S	TMLE100C20MP11	21.0	CF/CM/CU48C	1250	36.0	29.8	16.75	13.75
TCG36B41S	TMLE100C20MP11	21.0	CF/CM/CU48D	1275	36.0	30.6	16.50	13.75
TCG36B41S	TMLE100C20MP11	21.0	CF/CM/CU60C	1250	36.0	29.4	16.50	13.75
TCG36B41S	TMLE100C20MP11	21.0	CF/CM/CU60D	1275	36.0	30.1	16.50	13.75
TCG36B41S	TMLE100C20MP11	21.0	CF/CM36D	1275	34.6	30.1	16.25	13.50
TCG36B41S	TMLE100C20MP11	21.0	CF/CM42D	1275	35.4	30.3	16.75	13.75
TCG36B41S	TMLE120C16MP11	21.0	CF/CM/CU36C	1125	34.6	28.5	16.00	13.50
TCG36B41S	TMLE120C16MP11	21.0	CF/CM/CU42C	1125	35.4	28.2	16.50	13.75
TCG36B41S	TMLE120C16MP11	21.0	CF/CM/CU48C	1125	36.0	28.6	16.75	13.75
TCG36B41S	TMLE120C16MP11	21.0	CF/CM/CU48D	1125	36.0	28.6	16.50	13.75
TCG36B41S	TMLE120C16MP11	21.0	CF/CM/CU60C	1125	36.0	28.1	16.75	13.75
TCG36B41S	TMLE120C16MP11	21.0	CF/CM/CU60D	1125	36.0	28.1	16.50	13.75
TCG36B41S	TMLE120C16MP11	21.0	CF/CM36D	1125	34.6	28.5	16.25	13.50
TCG36B41S	TMLE120C16MP11	21.0	CF/CM42D	1125	35.4	28.2	16.50	13.75
TCG36B41S	TMLE120C20MP11	21.0	CF/CM/CU36C	1275	34.6	30.1	16.00	13.25
TCG36B41S	TMLE120C20MP11	21.0	CF/CM/CU42C	1275	35.4	30.3	16.50	13.75
TCG36B41S	TMLE120C20MP11	21.0	CF/CM/CU48C	1300	36.0	30.6	16.75	14.00
TCG36B41S	TMLE120C20MP11	21.0	CF/CM/CU48D	1300	36.0	30.6	16.50	13.75
TCG36B41S	TMLE120C20MP11	21.0	CF/CM/CU60C	1275	36.0	30.2	16.50	13.75
TCG36B41S	TMLE120C20MP11	21.0	CF/CM/CU60D	1325	36.0	29.2	16.50	13.75
TCG36B41S	TMLE120C20MP11	21.0	CF/CM36D	1300	34.6	28.2	15.75	13.00
TCG36B41S	TMLE120C20MP11	21.0	CF/CM42D	1300	35.4	30.7	16.50	13.75
TCG36B41S	TMLE130D20MP11	24.5	CF/CM/CU48D	1300	36.0	30.6	16.75	14.00
TCG36B41S	TMLE130D20MP11	24.5	CF/CM/CU60D	1325	36.0	29.2	16.75	14.00
TCG36B41S	TMLE130D20MP11	24.5	CF/CM36D	1300	34.6	28.2	15.75	13.00
TCG36B41S	TMLE130D20MP11	24.5	CF/CM42D	1300	35.4	30.7	16.50	13.75
TCG36B41S	TMLV080C16MP11C	21.0	CF/CM/CU36C	1050	34.6	26.2	16.00	13.50
TCG36B41S	TMLV080C16MP11C	21.0	CF/CM/CU42C	1075	36.0	26.2	16.25	13.50
TCG36B41S	TMLV080C16MP11C	21.0	CF/CM/CU48C	1075	36.0	26.6	16.50	13.75

COOLING CAPACITY - With High Efficiency Motor Furnaces¹ (Continued)

UNIT MODEL	FURNACE		COIL MODEL ²	COOLING				
	MODEL	WIDTH		RATED CFM	NET MBH		SEER	EER
					TOTAL	SENS.		
TCG36B41S	TMLV080C16MP11C	21.0	CF/CM/CU48D	1050	36.0	26.2	16.50	13.75
TCG36B41S	TMLV080C16MP11C	21.0	CF/CM/CU60C	1075	36.0	26.4	16.50	13.75
TCG36B41S	TMLV080C16MP11C	21.0	CF/CM/CU60D	1075	36.0	26.4	16.50	14.00
TCG36B41S	TMLV080C16MP12C	21.0	CF/CM/CU36C	1150	34.6	28.3	16.25	13.50
TCG36B41S	TMLV080C16MP12C	21.0	CF/CM/CU42C	1200	36.0	29.0	16.25	13.50
TCG36B41S	TMLV080C16MP12C	21.0	CF/CM/CU48C	1150	36.0	28.2	16.50	13.75
TCG36B41S	TMLV080C16MP12C	21.0	CF/CM/CU60C	1200	36.0	29.2	16.50	13.75
TCG36B41S	TMLV100C16MP11C	21.0	CF/CM/CU36C	1050	34.6	26.2	16.00	13.50
TCG36B41S	TMLV100C16MP11C	21.0	CF/CM/CU42C	1075	36.0	26.2	16.25	13.50
TCG36B41S	TMLV100C16MP11C	21.0	CF/CM/CU48C	1075	36.0	26.6	16.50	13.75
TCG36B41S	TMLV100C16MP11C	21.0	CF/CM/CU48D	1050	36.0	26.2	16.50	13.75
TCG36B41S	TMLV100C16MP11C	21.0	CF/CM/CU60C	1075	36.0	26.4	16.50	13.75
TCG36B41S	TMLV100C16MP11C	21.0	CF/CM/CU60D	1075	36.0	26.4	16.50	14.00
TCG36B41S	TMLV100C16MP12C	21.0	CF/CM/CU36C	1150	34.6	28.3	16.25	13.50
TCG36B41S	TMLV100C16MP12C	21.0	CF/CM/CU42C	1200	36.0	29.0	16.25	13.50
TCG36B41S	TMLV100C16MP12C	21.0	CF/CM/CU48C	1150	36.0	28.2	16.50	13.75
TCG36B41S	TMLV100C16MP12C	21.0	CF/CM/CU60C	1200	36.0	29.2	16.50	13.75
TCG36B41S	TMLV100C20MP11C	21.0	CF/CM/CU36C	1150	34.6	27.4	15.75	13.50
TCG36B41S	TMLV100C20MP11C	21.0	CF/CM/CU42C	1150	36.0	27.2	16.25	13.50
TCG36B41S	TMLV100C20MP11C	21.0	CF/CM/CU48C	1250	36.0	28.4	16.25	13.75
TCG36B41S	TMLV100C20MP11C	21.0	CF/CM/CU48D	1125	36.0	27.2	16.25	13.50
TCG36B41S	TMLV100C20MP11C	21.0	CF/CM/CU60C	1225	36.0	28.2	16.50	13.75
TCG36B41S	TMLV100C20MP11C	21.0	CF/CM/CU60D	1225	36.0	28.2	16.50	13.50
TCG36B41S	TMLV100C20MP12C	21.0	CF/CM/CU36C	1150	34.8	28.4	16.00	13.50
TCG36B41S	TMLV100C20MP12C	21.0	CF/CM/CU42C	1225	36.0	29.5	16.50	13.50
TCG36B41S	TMLV100C20MP12C	21.0	CF/CM/CU48C	1150	36.0	28.3	16.50	13.75
TCG36B41S	TMLV100C20MP12C	21.0	CF/CM/CU60C	1225	36.0	29.7	16.75	13.75
TCG36B41S	TMLV120C20MP11C	21.0	CF/CM/CU36C	1150	34.6	27.4	15.75	13.50
TCG36B41S	TMLV120C20MP11C	21.0	CF/CM/CU42C	1150	36.0	27.2	16.25	13.50
TCG36B41S	TMLV120C20MP11C	21.0	CF/CM/CU48C	1250	36.0	28.4	16.25	13.75
TCG36B41S	TMLV120C20MP11C	21.0	CF/CM/CU48D	1125	36.0	27.2	16.25	13.50
TCG36B41S	TMLV120C20MP11C	21.0	CF/CM/CU60C	1225	36.0	28.2	16.50	13.75
TCG36B41S	TMLV120C20MP11C	21.0	CF/CM/CU60D	1225	36.0	28.2	16.50	13.50
TCG36B41S	TMLV120C20MP12C	21.0	CF/CM/CU36C	1150	34.8	28.4	16.00	13.50
TCG36B41S	TMLV120C20MP12C	21.0	CF/CM/CU42C	1225	36.0	29.5	16.50	13.50
TCG36B41S	TMLV120C20MP12C	21.0	CF/CM/CU48C	1150	36.0	28.3	16.50	13.75
TCG36B41S	TMLV120C20MP12C	21.0	CF/CM/CU60C	1225	36.0	29.7	16.75	13.75
TCG36B41S	TMLX060A12MP11	14.5	CF/CM36A	975	34.6	25.0	15.50	13.25
TCG36B41S	TMLX080B12MP11	17.5	CF/CM/CU36B	1000	34.6	25.4	15.75	13.50
TCG36B41S	TMLX080B12MP11	17.5	CF42B	1000	35.4	25.2	16.20	13.50
TCG36B41S	TMLX080C16MP11	21.0	CF/CM/CU36C	1050	34.6	26.2	16.25	13.75
TCG36B41S	TMLX080C16MP11	21.0	CF/CM/CU42C	1050	35.4	26.0	16.50	13.75
TCG36B41S	TMLX080C16MP11	21.0	CF/CM/CU48C	1050	36.0	26.2	17.00	14.00
TCG36B41S	TMLX080C16MP11	21.0	CF/CM/CU48D	1075	36.0	26.6	17.00	14.00
TCG36B41S	TMLX080C16MP11	21.0	CF/CM/CU60C	1050	36.0	26.4	17.00	14.00
TCG36B41S	TMLX080C16MP11	21.0	CF/CM/CU60D	1075	36.0	26.6	17.00	14.00
TCG36B41S	TMLX080C16MP11	21.0	CF/CM36D	1075	34.6	26.2	16.50	13.75
TCG36B41S	TMLX080C16MP11	21.0	CF/CM42D	1075	35.4	26.4	16.50	14.00
TCG36B41S	TMLX100C16MP11	21.0	CF/CM/CU36C	1050	34.6	26.2	16.25	13.75
TCG36B41S	TMLX100C16MP11	21.0	CF/CM/CU42C	1050	35.4	26.0	16.50	13.75
TCG36B41S	TMLX100C16MP11	21.0	CF/CM/CU48C	1050	36.0	26.2	17.00	14.00
TCG36B41S	TMLX100C16MP11	21.0	CF/CM/CU48D	1075	36.0	26.6	17.00	14.00
TCG36B41S	TMLX100C16MP11	21.0	CF/CM/CU60C	1050	36.0	26.4	17.00	14.00

COOLING CAPACITY - With High Efficiency Motor Furnaces¹ (Continued)

UNIT MODEL	FURNACE		COIL MODEL ²	COOLING				
	MODEL	WIDTH		RATED CFM	NET MBH		SEER	EER
					TOTAL	SENS.		
TCG36B41S	TMLX100C16MP11	21.0	CF/CM/CU60D	1075	36.0	26.6	17.00	14.00
TCG36B41S	TMLX100C16MP11	21.0	CF/CM36D	1075	34.6	26.2	16.50	13.75
TCG36B41S	TMLX100C16MP11	21.0	CF/CM42D	1075	35.4	26.4	16.50	14.00
TCG36B41S	TMLX100C20MP11	21.0	CF/CM/CU36C	1075	34.6	26.2	16.25	13.75
TCG36B41S	TMLX100C20MP11	21.0	CF/CM/CU42C	1075	35.4	26.4	16.50	14.00
TCG36B41S	TMLX100C20MP11	21.0	CF/CM/CU48C	1075	36.0	26.6	17.00	14.00
TCG36B41S	TMLX100C20MP11	21.0	CF/CM/CU48D	1100	36.0	26.8	17.00	14.00
TCG36B41S	TMLX100C20MP11	21.0	CF/CM/CU60C	1075	36.0	26.6	17.00	14.25
TCG36B41S	TMLX100C20MP11	21.0	CF/CM/CU60D	1075	36.0	26.6	17.00	14.25
TCG36B41S	TMLX100C20MP11	21.0	CF/CM36D	1100	34.6	26.2	16.50	13.75
TCG36B41S	TMLX100C20MP11	21.0	CF/CM42D	1100	35.4	26.6	16.50	14.00
TCG36B41S	TMLX120C20MP11	21.0	CF/CM/CU36C	1075	34.6	26.2	16.25	13.75
TCG36B41S	TMLX120C20MP11	21.0	CF/CM/CU42C	1075	35.4	26.4	16.50	14.00
TCG36B41S	TMLX120C20MP11	21.0	CF/CM/CU48C	1075	36.0	26.6	17.00	14.00
TCG36B41S	TMLX120C20MP11	21.0	CF/CM/CU48D	1100	36.0	26.8	17.00	14.00
TCG36B41S	TMLX120C20MP11	21.0	CF/CM/CU60C	1075	36.0	26.6	17.00	14.25
TCG36B41S	TMLX120C20MP11	21.0	CF/CM/CU60D	1075	36.0	26.6	17.00	14.25
TCG36B41S	TMLX120C20MP11	21.0	CF/CM36D	1100	34.6	26.2	16.50	13.75
TCG36B41S	TMLX120C20MP11	21.0	CF/CM42D	1100	35.4	26.6	16.50	14.00
TCG36B41S	TP9C060B12MP12C	17.5	CF/CM/CU36B	1050	34.6	26.0	15.75	13.25
TCG36B41S	TP9C060B12MP12C	17.5	CF42B	1050	35.4	25.8	16.20	13.50
TCG36B41S	TP9C060B12MP13C	17.5	CF/CM/CU36B	1000	34.6	26.2	15.50	12.75
TCG36B41S	TP9C060B12MP13C	17.5	CF/CM/CU36C	1000	34.6	26.4	15.25	12.50
TCG36B41S	TP9C060B12MP13C	17.5	CF/CM/CU42C	1000	35.4	26.4	15.75	13.00
TCG36B41S	TP9C060B12MP13C	17.5	CF/CM/CU48C	1000	36.0	26.7	15.75	13.00
TCG36B41S	TP9C060B12MP13C	17.5	CF/CM/CU60C	1000	36.0	26.2	15.75	13.00
TCG36B41S	TP9C060B12MP13C	17.5	CF42B	1000	35.4	26.3	15.75	13.00
TCG36B41S	TP9C080B12MP12C	17.5	CF/CM/CU36B	1050	34.6	26.0	15.75	13.25
TCG36B41S	TP9C080B12MP12C	17.5	CF42B	1050	35.4	25.8	16.20	13.50
TCG36B41S	TP9C080B12MP13C	17.5	CF/CM/CU36B	1175	35.0	28.8	15.75	13.25
TCG36B41S	TP9C080B12MP13C	17.5	CF42B	1075	35.4	26.4	16.00	13.25
TCG36B41S	TP9C080C16MP12C	21.0	CF/CM/CU36C	1000	34.6	25.4	16.00	13.75
TCG36B41S	TP9C080C16MP12C	21.0	CF/CM/CU42C	1000	35.4	25.2	16.50	13.75
TCG36B41S	TP9C080C16MP12C	21.0	CF/CM/CU48C	1250	36.0	28.2	16.25	13.50
TCG36B41S	TP9C080C16MP12C	21.0	CF/CM/CU48D	1200	36.0	27.8	16.50	14.00
TCG36B41S	TP9C080C16MP12C	21.0	CF/CM/CU60C	1200	36.0	27.8	16.50	14.00
TCG36B41S	TP9C080C16MP12C	21.0	CF/CM/CU60D	1050	36.0	26.4	16.50	14.00
TCG36B41S	TP9C100C16MP12C	21.0	CF/CM/CU36C	1000	34.6	25.4	16.00	13.75
TCG36B41S	TP9C100C16MP12C	21.0	CF/CM/CU42C	1000	35.4	25.2	16.50	13.75
TCG36B41S	TP9C100C16MP12C	21.0	CF/CM/CU48C	1250	36.0	28.2	16.25	13.50
TCG36B41S	TP9C100C16MP12C	21.0	CF/CM/CU48D	1200	36.0	27.8	16.50	14.00
TCG36B41S	TP9C100C16MP12C	21.0	CF/CM/CU60C	1200	36.0	27.8	16.50	14.00
TCG36B41S	TP9C100C16MP12C	21.0	CF/CM/CU60D	1050	36.0	26.4	16.50	14.00
TCG36B41S	TP9C100C16MP13C	21.0	CF/CM/CU36C	1175	35.6	29.1	16.25	13.75
TCG36B41S	TP9C100C16MP13C	21.0	CF/CM/CU42C	1175	36.0	28.7	16.50	13.75
TCG36B41S	TP9C100C16MP13C	21.0	CF/CM/CU48C	1175	36.0	28.8	16.50	13.75
TCG36B41S	TP9C100C16MP13C	21.0	CF/CM/CU60C	1175	36.0	28.8	16.50	14.00
TCG36B41S	TP9C100C20MP12C	21.0	CF/CM/CU36C	1075	34.6	26.0	15.75	13.50
TCG36B41S	TP9C100C20MP12C	21.0	CF/CM/CU42C	1250	35.4	28.0	15.75	13.25
TCG36B41S	TP9C100C20MP12C	21.0	CF/CM/CU48C	1175	36.0	27.4	16.25	13.50
TCG36B41S	TP9C100C20MP12C	21.0	CF/CM/CU48D	1250	36.0	28.2	16.25	13.50
TCG36B41S	TP9C100C20MP12C	21.0	CF/CM/CU60C	1175	36.0	27.4	16.25	13.50
TCG36B41S	TP9C100C20MP12C	21.0	CF/CM/CU60D	1175	36.0	27.4	16.50	13.75

COOLING CAPACITY - With High Efficiency Motor Furnaces¹ (Continued)

UNIT MODEL	FURNACE		COIL MODEL ²	COOLING				
	MODEL	WIDTH		RATED CFM	NET MBH		SEER	EER
					TOTAL	SENS.		
TCG36B41S	TP9C100C20MP13C	21.0	CF/CM/CU36C	1225	35.2	29.4	15.75	13.50
TCG36B41S	TP9C100C20MP13C	21.0	CF/CM/CU42C	1225	35.4	29.4	16.25	13.50
TCG36B41S	TP9C100C20MP13C	21.0	CF/CM/CU48C	1225	36.0	29.6	16.25	13.50
TCG36B41S	TP9C100C20MP13C	21.0	CF/CM/CU60C	1225	36.0	29.8	16.50	13.50
TCG36B41S	TP9C120D20MP12C	24.5	CF/CM/CU48D	1225	36.0	28.4	16.50	13.75
TCG36B41S	TP9C120D20MP12C	24.5	CF/CM/CU60D	1250	36.0	28.6	16.50	14.00
TCG36B41S	TP9C120D20MP12C	24.5	CF/CM36D	1125	34.6	26.2	16.50	14.00
TCG36B41S	TP9C120D20MP12C	24.5	CF/CM42D	1125	35.4	26.8	16.50	13.75
TCG36B41S	TP9C120D20MP13C	24.5	CF/CM/CU36D	1200	34.6	29.1	16.50	14.25
TCG36B41S	TP9C120D20MP13C	24.5	CF/CM/CU42D	1200	35.8	29.0	16.75	13.75
TCG36B41S	TP9C120D20MP13C	24.5	CF/CM/CU48D	1200	36.0	29.4	16.75	13.75
TCG36B41S	TP9C120D20MP13C	24.5	CF/CM/CU60D	1200	36.0	29.6	16.75	14.00
TCG36B41S	TPLC080C16MP12C	21.0	CF/CM/CU36C	1050	34.6	26.2	16.00	13.50
TCG36B41S	TPLC080C16MP12C	21.0	CF/CM/CU42C	1075	36.0	26.2	16.25	13.50
TCG36B41S	TPLC080C16MP12C	21.0	CF/CM/CU48C	1075	36.0	26.6	16.50	13.75
TCG36B41S	TPLC080C16MP12C	21.0	CF/CM/CU48D	1050	36.0	26.2	16.50	13.75
TCG36B41S	TPLC080C16MP12C	21.0	CF/CM/CU60C	1075	36.0	26.4	16.50	13.75
TCG36B41S	TPLC080C16MP12C	21.0	CF/CM/CU60D	1075	36.0	26.4	16.50	14.00
TCG36B41S	TPLC080C16MP13C	21.0	CF/CM/CU36C	1150	34.6	28.3	16.25	13.50
TCG36B41S	TPLC080C16MP13C	21.0	CF/CM/CU42C	1200	36.0	29.0	16.25	13.50
TCG36B41S	TPLC080C16MP13C	21.0	CF/CM/CU48C	1150	36.0	28.2	16.50	13.75
TCG36B41S	TPLC080C16MP13C	21.0	CF/CM/CU60C	1200	36.0	29.2	16.50	13.75
TCG36B41S	TPLC100C16MP12C	21.0	CF/CM/CU36C	1050	34.6	26.2	16.00	13.50
TCG36B41S	TPLC100C16MP12C	21.0	CF/CM/CU42C	1075	36.0	26.2	16.25	13.50
TCG36B41S	TPLC100C16MP12C	21.0	CF/CM/CU48C	1075	36.0	26.6	16.50	13.75
TCG36B41S	TPLC100C16MP12C	21.0	CF/CM/CU48D	1050	36.0	26.2	16.50	13.75
TCG36B41S	TPLC100C16MP12C	21.0	CF/CM/CU60C	1075	36.0	26.4	16.50	13.75
TCG36B41S	TPLC100C16MP12C	21.0	CF/CM/CU60D	1075	36.0	26.4	16.50	14.00
TCG36B41S	TPLC100C16MP13C	21.0	CF/CM/CU36C	1150	34.6	28.3	16.25	13.50
TCG36B41S	TPLC100C16MP13C	21.0	CF/CM/CU42C	1200	36.0	29.0	16.25	13.50
TCG36B41S	TPLC100C16MP13C	21.0	CF/CM/CU48C	1150	36.0	28.2	16.50	13.75
TCG36B41S	TPLC100C16MP13C	21.0	CF/CM/CU60C	1200	36.0	29.2	16.50	13.75
TCG36B41S	TPLC100C20MP12C	21.0	CF/CM/CU36C	1150	34.6	27.4	15.75	13.50
TCG36B41S	TPLC100C20MP12C	21.0	CF/CM/CU42C	1150	36.0	27.2	16.25	13.50
TCG36B41S	TPLC100C20MP12C	21.0	CF/CM/CU48C	1250	36.0	28.4	16.25	13.75
TCG36B41S	TPLC100C20MP12C	21.0	CF/CM/CU48D	1125	36.0	27.2	16.25	13.50
TCG36B41S	TPLC100C20MP12C	21.0	CF/CM/CU60C	1225	36.0	28.2	16.50	13.75
TCG36B41S	TPLC100C20MP12C	21.0	CF/CM/CU60D	1225	36.0	28.2	16.50	13.50
TCG36B41S	TPLC100C20MP13C	21.0	CF/CM/CU36C	1150	34.8	28.4	16.00	13.50
TCG36B41S	TPLC100C20MP13C	21.0	CF/CM/CU42C	1225	36.0	29.5	16.50	13.50
TCG36B41S	TPLC100C20MP13C	21.0	CF/CM/CU48C	1150	36.0	28.3	16.50	13.75
TCG36B41S	TPLC100C20MP13C	21.0	CF/CM/CU60C	1225	36.0	29.7	16.75	13.75
TCG36B41S	TPLC120C20MP12C	21.0	CF/CM/CU36C	1150	34.6	27.4	15.75	13.50
TCG36B41S	TPLC120C20MP12C	21.0	CF/CM/CU42C	1150	36.0	27.2	16.25	13.50
TCG36B41S	TPLC120C20MP12C	21.0	CF/CM/CU48C	1250	36.0	28.4	16.25	13.75
TCG36B41S	TPLC120C20MP12C	21.0	CF/CM/CU48D	1125	36.0	27.2	16.25	13.50
TCG36B41S	TPLC120C20MP12C	21.0	CF/CM/CU60C	1225	36.0	28.2	16.50	13.75
TCG36B41S	TPLC120C20MP12C	21.0	CF/CM/CU60D	1225	36.0	28.2	16.50	13.50
TCG36B41S	TPLC120C20MP13C	21.0	CF/CM/CU36C	1150	34.8	28.4	16.00	13.50
TCG36B41S	TPLC120C20MP13C	21.0	CF/CM/CU42C	1225	36.0	29.5	16.50	13.50
TCG36B41S	TPLC120C20MP13C	21.0	CF/CM/CU48C	1150	36.0	28.3	16.50	13.75
TCG36B41S	TPLC120C20MP13C	21.0	CF/CM/CU60C	1225	36.0	29.7	16.75	13.75
TCG36B41S	YP9C060B12MP12C	17.5	CF/CM/CU36B	1050	34.6	26.0	15.75	13.25

COOLING CAPACITY - With High Efficiency Motor Furnaces¹ (Continued)

UNIT MODEL	FURNACE		COIL MODEL ²	COOLING				
	MODEL	WIDTH		RATED CFM	NET MBH		SEER	EER
					TOTAL	SENS.		
TCG36B41S	YP9C060B12MP12C	17.5	CF42B	1050	35.4	25.8	16.20	13.50
TCG36B41S	YP9C060B12MP13C	17.5	CF/CM/CU36B	1000	34.6	26.2	15.50	12.75
TCG36B41S	YP9C060B12MP13C	17.5	CF/CM/CU36C	1000	34.6	26.4	15.25	12.50
TCG36B41S	YP9C060B12MP13C	17.5	CF/CM/CU42C	1000	35.4	26.4	15.75	13.00
TCG36B41S	YP9C060B12MP13C	17.5	CF/CM/CU48C	1000	36.0	26.7	15.75	13.00
TCG36B41S	YP9C060B12MP13C	17.5	CF/CM/CU60C	1000	36.0	26.2	15.75	13.00
TCG36B41S	YP9C060B12MP13C	17.5	CF42B	1000	35.4	26.3	15.75	13.00
TCG36B41S	YP9C080B12MP12C	17.5	CF/CM/CU36B	1050	34.6	26.0	15.75	13.25
TCG36B41S	YP9C080B12MP12C	17.5	CF42B	1050	35.4	25.8	16.20	13.50
TCG36B41S	YP9C080B12MP13C	17.5	CF/CM/CU36B	1175	35.0	28.8	15.75	13.25
TCG36B41S	YP9C080B12MP13C	17.5	CF42B	1075	35.4	26.4	16.00	13.25
TCG36B41S	YP9C080C16MP12C	21.0	CF/CM/CU36C	1000	34.6	25.4	16.00	13.75
TCG36B41S	YP9C080C16MP12C	21.0	CF/CM/CU42C	1000	35.4	25.2	16.50	13.75
TCG36B41S	YP9C080C16MP12C	21.0	CF/CM/CU48C	1250	36.0	28.2	16.25	13.50
TCG36B41S	YP9C080C16MP12C	21.0	CF/CM/CU48D	1200	36.0	27.8	16.50	14.00
TCG36B41S	YP9C080C16MP12C	21.0	CF/CM/CU60C	1200	36.0	27.8	16.50	14.00
TCG36B41S	YP9C080C16MP12C	21.0	CF/CM/CU60D	1050	36.0	26.4	16.50	14.00
TCG36B41S	YP9C100C16MP12C	21.0	CF/CM/CU36C	1000	34.6	25.4	16.00	13.75
TCG36B41S	YP9C100C16MP12C	21.0	CF/CM/CU42C	1000	35.4	25.2	16.50	13.75
TCG36B41S	YP9C100C16MP12C	21.0	CF/CM/CU48C	1250	36.0	28.2	16.25	13.50
TCG36B41S	YP9C100C16MP12C	21.0	CF/CM/CU48D	1200	36.0	27.8	16.50	14.00
TCG36B41S	YP9C100C16MP12C	21.0	CF/CM/CU60C	1200	36.0	27.8	16.50	14.00
TCG36B41S	YP9C100C16MP12C	21.0	CF/CM/CU60D	1050	36.0	26.4	16.50	14.00
TCG36B41S	YP9C100C16MP13C	21.0	CF/CM/CU36C	1175	35.6	29.1	16.25	13.75
TCG36B41S	YP9C100C16MP13C	21.0	CF/CM/CU42C	1175	36.0	28.7	16.50	13.75
TCG36B41S	YP9C100C16MP13C	21.0	CF/CM/CU48C	1175	36.0	28.8	16.50	13.75
TCG36B41S	YP9C100C16MP13C	21.0	CF/CM/CU60C	1175	36.0	28.8	16.50	14.00
TCG36B41S	YP9C100C20MP12C	21.0	CF/CM/CU36C	1075	34.6	26.0	15.75	13.50
TCG36B41S	YP9C100C20MP12C	21.0	CF/CM/CU42C	1250	35.4	28.0	15.75	13.25
TCG36B41S	YP9C100C20MP12C	21.0	CF/CM/CU48C	1175	36.0	27.4	16.25	13.50
TCG36B41S	YP9C100C20MP12C	21.0	CF/CM/CU48D	1250	36.0	28.2	16.25	13.50
TCG36B41S	YP9C100C20MP12C	21.0	CF/CM/CU60C	1175	36.0	27.4	16.25	13.50
TCG36B41S	YP9C100C20MP12C	21.0	CF/CM/CU60D	1175	36.0	27.4	16.50	13.75
TCG36B41S	YP9C100C20MP13C	21.0	CF/CM/CU36C	1225	35.2	29.4	15.75	13.50
TCG36B41S	YP9C100C20MP13C	21.0	CF/CM/CU42C	1225	35.4	29.4	16.25	13.50
TCG36B41S	YP9C100C20MP13C	21.0	CF/CM/CU48C	1225	36.0	29.6	16.25	13.50
TCG36B41S	YP9C100C20MP13C	21.0	CF/CM/CU60C	1225	36.0	29.8	16.50	13.50
TCG36B41S	YP9C120D20MP12C	24.5	CF/CM/CU48D	1225	36.0	28.4	16.50	13.75
TCG36B41S	YP9C120D20MP12C	24.5	CF/CM/CU60D	1250	36.0	28.6	16.50	14.00
TCG36B41S	YP9C120D20MP12C	24.5	CF/CM36D	1125	34.6	26.2	16.50	14.00
TCG36B41S	YP9C120D20MP12C	24.5	CF/CM42D	1125	35.4	26.8	16.50	13.75
TCG36B41S	YP9C120D20MP13C	24.5	CF/CM/CU36D	1200	34.6	29.1	16.50	14.25
TCG36B41S	YP9C120D20MP13C	24.5	CF/CM/CU42D	1200	35.8	29.0	16.75	13.75
TCG36B41S	YP9C120D20MP13C	24.5	CF/CM/CU48D	1200	36.0	29.4	16.75	13.75
TCG36B41S	YP9C120D20MP13C	24.5	CF/CM/CU60D	1200	36.0	29.6	16.75	14.00
TCG36B41S	YPLC080C16MP12C	21.0	CF/CM/CU36C	1050	34.6	26.2	16.00	13.50
TCG36B41S	YPLC080C16MP12C	21.0	CF/CM/CU42C	1075	36.0	26.2	16.25	13.50
TCG36B41S	YPLC080C16MP12C	21.0	CF/CM/CU48C	1075	36.0	26.6	16.50	13.75
TCG36B41S	YPLC080C16MP12C	21.0	CF/CM/CU48D	1050	36.0	26.2	16.50	13.75
TCG36B41S	YPLC080C16MP12C	21.0	CF/CM/CU60C	1075	36.0	26.4	16.50	13.75
TCG36B41S	YPLC080C16MP12C	21.0	CF/CM/CU60D	1075	36.0	26.4	16.50	14.00
TCG36B41S	YPLC080C16MP13C	21.0	CF/CM/CU36C	1150	34.6	28.3	16.25	13.50
TCG36B41S	YPLC080C16MP13C	21.0	CF/CM/CU42C	1200	36.0	29.0	16.25	13.50

COOLING CAPACITY - With High Efficiency Motor Furnaces¹ (Continued)

UNIT MODEL	FURNACE		COIL MODEL ²	COOLING				
	MODEL	WIDTH		RATED CFM	NET MBH		SEER	EER
					TOTAL	SENS.		
TCG36B41S	YPLC080C16MP13C	21.0	CF/CM/CU48C	1150	36.0	28.2	16.50	13.75
TCG36B41S	YPLC080C16MP13C	21.0	CF/CM/CU60C	1200	36.0	29.2	16.50	13.75
TCG36B41S	YPLC100C16MP12C	21.0	CF/CM/CU36C	1050	34.6	26.2	16.00	13.50
TCG36B41S	YPLC100C16MP12C	21.0	CF/CM/CU42C	1075	36.0	26.2	16.25	13.50
TCG36B41S	YPLC100C16MP12C	21.0	CF/CM/CU48C	1075	36.0	26.6	16.50	13.75
TCG36B41S	YPLC100C16MP12C	21.0	CF/CM/CU48D	1050	36.0	26.2	16.50	13.75
TCG36B41S	YPLC100C16MP12C	21.0	CF/CM/CU60C	1075	36.0	26.4	16.50	13.75
TCG36B41S	YPLC100C16MP12C	21.0	CF/CM/CU60D	1075	36.0	26.4	16.50	14.00
TCG36B41S	YPLC100C16MP13C	21.0	CF/CM/CU36C	1150	34.6	28.3	16.25	13.50
TCG36B41S	YPLC100C16MP13C	21.0	CF/CM/CU42C	1200	36.0	29.0	16.25	13.50
TCG36B41S	YPLC100C16MP13C	21.0	CF/CM/CU48C	1150	36.0	28.2	16.50	13.75
TCG36B41S	YPLC100C16MP13C	21.0	CF/CM/CU60C	1200	36.0	29.2	16.50	13.75
TCG36B41S	YPLC100C20MP12C	21.0	CF/CM/CU36C	1150	34.6	27.4	15.75	13.50
TCG36B41S	YPLC100C20MP12C	21.0	CF/CM/CU42C	1150	36.0	27.2	16.25	13.50
TCG36B41S	YPLC100C20MP12C	21.0	CF/CM/CU48C	1250	36.0	28.4	16.25	13.75
TCG36B41S	YPLC100C20MP12C	21.0	CF/CM/CU48D	1125	36.0	27.2	16.25	13.50
TCG36B41S	YPLC100C20MP12C	21.0	CF/CM/CU60C	1225	36.0	28.2	16.50	13.75
TCG36B41S	YPLC100C20MP12C	21.0	CF/CM/CU60D	1225	36.0	28.2	16.50	13.50
TCG36B41S	YPLC100C20MP13C	21.0	CF/CM/CU36C	1150	34.8	28.4	16.00	13.50
TCG36B41S	YPLC100C20MP13C	21.0	CF/CM/CU42C	1225	36.0	29.5	16.50	13.50
TCG36B41S	YPLC100C20MP13C	21.0	CF/CM/CU48C	1150	36.0	28.3	16.50	13.75
TCG36B41S	YPLC100C20MP13C	21.0	CF/CM/CU60C	1225	36.0	29.7	16.75	13.75
TCG36B41S	YPLC120C20MP12C	21.0	CF/CM/CU36C	1150	34.6	27.4	15.75	13.50
TCG36B41S	YPLC120C20MP12C	21.0	CF/CM/CU42C	1150	36.0	27.2	16.25	13.50
TCG36B41S	YPLC120C20MP12C	21.0	CF/CM/CU48C	1250	36.0	28.4	16.25	13.75
TCG36B41S	YPLC120C20MP12C	21.0	CF/CM/CU48D	1125	36.0	27.2	16.25	13.50
TCG36B41S	YPLC120C20MP12C	21.0	CF/CM/CU60C	1225	36.0	28.2	16.50	13.75
TCG36B41S	YPLC120C20MP12C	21.0	CF/CM/CU60D	1225	36.0	28.2	16.50	13.50
TCG36B41S	YPLC120C20MP13C	21.0	CF/CM/CU36C	1150	34.8	28.4	16.00	13.50
TCG36B41S	YPLC120C20MP13C	21.0	CF/CM/CU42C	1225	36.0	29.5	16.50	13.50
TCG36B41S	YPLC120C20MP13C	21.0	CF/CM/CU48C	1150	36.0	28.3	16.50	13.75
TCG36B41S	YPLC120C20MP13C	21.0	CF/CM/CU60C	1225	36.0	29.7	16.75	13.75
TCG48B31S	TL8E080C16UH11	21.0	CF/CM/CU48C	1400	45.0	34.2	15.75	12.75
TCG48B31S	TL8E080C16UH11	21.0	CF/CM/CU48D	1400	45.0	34.2	15.75	13.00
TCG48B31S	TL8E080C16UH11	21.0	CF/CM/CU60C	1375	45.5	33.9	15.50	12.75
TCG48B31S	TL8E080C16UH11	21.0	CF/CM/CU60D	1400	46.5	35.0	15.75	13.00
TCG48B31S	TL8E080C16UH11	21.0	CF/CM64D	1400	47.0	35.2	16.00	13.25
TCG48B31S	TL8E100C20UH11	21.0	CF/CM/CU48C	1400	45.5	34.6	16.00	13.25
TCG48B31S	TL8E100C20UH11	21.0	CF/CM/CU48D	1425	45.5	34.7	16.00	13.25
TCG48B31S	TL8E100C20UH11	21.0	CF/CM/CU60C	1400	45.5	34.1	16.00	13.25
TCG48B31S	TL8E100C20UH11	21.0	CF/CM/CU60D	1425	46.5	35.5	16.25	13.50
TCG48B31S	TL8E100C20UH11	21.0	CF/CM64D	1400	47.0	35.1	16.50	13.50
TCG48B31S	TL9E080C16UH11	21.0	CF/CM/CU48C	1400	45.0	34.2	15.25	12.50
TCG48B31S	TL9E080C16UH11	21.0	CF/CM/CU48D	1400	45.0	34.2	15.50	12.75
TCG48B31S	TL9E080C16UH11	21.0	CF/CM/CU60C	1400	45.5	34.2	15.25	12.50
TCG48B31S	TL9E080C16UH11	21.0	CF/CM/CU60D	1425	46.0	35.1	15.50	12.75
TCG48B31S	TL9E080C16UH11	21.0	CF/CM64D	1400	46.5	34.7	15.75	13.00
TCG48B31S	TL9E100C20UH11	21.0	CF/CM/CU48C	1400	45.5	34.6	16.00	13.00
TCG48B31S	TL9E100C20UH11	21.0	CF/CM/CU48D	1425	45.5	34.7	16.00	13.25
TCG48B31S	TL9E100C20UH11	21.0	CF/CM/CU60C	1400	45.5	34.1	15.75	13.00
TCG48B31S	TL9E100C20UH11	21.0	CF/CM/CU60D	1425	46.5	35.6	16.00	13.25
TCG48B31S	TL9E100C20UH11	21.0	CF/CM64D	1400	47.0	35.1	16.25	13.50
TCG48B31S	TM8E080B12MP11	17.5	CF/CM/CU48C	1325	44.5	33.0	15.00	12.50

COOLING CAPACITY - With High Efficiency Motor Furnaces¹ (Continued)

UNIT MODEL	FURNACE		COIL MODEL ²	COOLING				
	MODEL	WIDTH		RATED CFM	NET MBH		SEER	EER
					TOTAL	SENS.		
TCG48B31S	TM8E080B12MP11	17.5	CF/CM/CU60C	1325	45.0	33.1	14.75	12.25
TCG48B31S	TM8E080C16MP11	21.0	CF/CM/CU48C	1575	44.0	33.5	14.50	12.25
TCG48B31S	TM8E080C16MP11	21.0	CF/CM/CU48D	1600	44.5	34.1	14.50	12.25
TCG48B31S	TM8E080C16MP11	21.0	CF/CM/CU60C	1575	46.0	35.9	15.00	12.50
TCG48B31S	TM8E080C16MP11	21.0	CF/CM/CU60D	1600	46.0	36.2	15.00	12.50
TCG48B31S	TM8E080C16MP11	21.0	CF/CM64D	1575	47.5	37.4	15.50	12.75
TCG48B31S	TM8E080C20MP11	21.0	CF/CM/CU48C	1450	45.5	34.9	16.00	13.25
TCG48B31S	TM8E080C20MP11	21.0	CF/CM/CU48D	1475	46.0	35.6	16.00	13.25
TCG48B31S	TM8E080C20MP11	21.0	CF/CM/CU60C	1450	46.0	34.9	15.75	13.00
TCG48B31S	TM8E080C20MP11	21.0	CF/CM/CU60D	1475	46.0	35.2	15.75	13.00
TCG48B31S	TM8E080C20MP11	21.0	CF/CM64D	1450	47.5	36.1	16.25	13.50
TCG48B31S	TM8E100C16MP11	21.0	CF/CM/CU48C	1300	45.0	33.3	15.75	13.00
TCG48B31S	TM8E100C16MP11	21.0	CF/CM/CU48D	1300	45.0	33.3	16.00	13.00
TCG48B31S	TM8E100C16MP11	21.0	CF/CM/CU60C	1575	46.0	35.9	15.00	12.50
TCG48B31S	TM8E100C16MP11	21.0	CF/CM/CU60D	1300	45.0	32.9	15.75	13.00
TCG48B31S	TM8E100C16MP11	21.0	CF/CM64D	1300	46.0	34.0	16.25	13.50
TCG48B31S	TM8E100C20MP11	21.0	CF/CM/CU48C	1425	45.5	34.7	15.75	13.00
TCG48B31S	TM8E100C20MP11	21.0	CF/CM/CU48D	1450	46.0	35.4	16.00	13.25
TCG48B31S	TM8E100C20MP11	21.0	CF/CM/CU60C	1425	45.5	34.2	16.00	13.00
TCG48B31S	TM8E100C20MP11	21.0	CF/CM/CU60D	1450	46.0	34.9	15.75	13.00
TCG48B31S	TM8E100C20MP11	21.0	CF/CM64D	1425	47.0	35.4	16.25	13.50
TCG48B31S	TM8E120C16MP11	21.0	CF/CM/CU48C	1300	45.0	33.3	16.00	13.00
TCG48B31S	TM8E120C16MP11	21.0	CF/CM/CU48D	1300	45.0	33.3	16.00	13.25
TCG48B31S	TM8E120C16MP11	21.0	CF/CM/CU60C	1300	45.0	32.9	15.75	13.00
TCG48B31S	TM8E120C16MP11	21.0	CF/CM/CU60D	1325	45.5	33.5	15.75	13.00
TCG48B31S	TM8E120C16MP11	21.0	CF/CM64D	1300	46.0	34.0	16.25	13.50
TCG48B31S	TM8E120C20MP11	21.0	CF/CM/CU48C	1425	45.5	34.7	16.00	13.25
TCG48B31S	TM8E120C20MP11	21.0	CF/CM/CU48D	1450	46.0	35.4	16.00	13.25
TCG48B31S	TM8E120C20MP11	21.0	CF/CM/CU60C	1425	46.0	34.7	16.00	13.25
TCG48B31S	TM8E120C20MP11	21.0	CF/CM/CU60D	1300	45.0	32.9	16.00	13.25
TCG48B31S	TM8E120C20MP11	21.0	CF/CM64D	1425	47.0	35.4	16.25	13.50
TCG48B31S	TM8E130D20MP11	24.5	CF/CM/CU48D	1425	45.5	34.7	16.00	13.25
TCG48B31S	TM8E130D20MP11	24.5	CF/CM/CU60D	1450	46.0	34.9	16.00	13.25
TCG48B31S	TM8E130D20MP11	24.5	CF/CM64D	1425	47.5	35.9	16.50	13.75
TCG48B31S	TM8V080C16MP11C	21.0	CF/CM/CU48C	1375	45.5	31.8	15.50	12.75
TCG48B31S	TM8V080C16MP11C	21.0	CF/CM/CU48D	1375	45.5	32.0	15.75	13.00
TCG48B31S	TM8V080C16MP11C	21.0	CF/CM/CU60C	1375	46.0	32.2	15.75	13.00
TCG48B31S	TM8V080C16MP11C	21.0	CF/CM/CU60D	1375	46.0	32.2	16.00	13.25
TCG48B31S	TM8V080C16MP11C	21.0	CF/CM64D	1325	46.0	31.6	15.75	13.25
TCG48B31S	TM8V080C16MP12C	21.0	CF/CM/CU48C	1425	45.0	34.3	15.75	13.00
TCG48B31S	TM8V080C16MP12C	21.0	CF/CM/CU60C	1425	45.5	34.5	16.00	13.25
TCG48B31S	TM8V080C16MP12C	21.0	CF/CM64D	1425	46.5	35.1	16.25	13.50
TCG48B31S	TM8V100C16MP11C	21.0	CF/CM/CU48C	1375	45.5	31.8	15.50	12.75
TCG48B31S	TM8V100C16MP11C	21.0	CF/CM/CU48D	1375	45.5	32.0	15.75	13.00
TCG48B31S	TM8V100C16MP11C	21.0	CF/CM/CU60C	1375	46.0	32.2	15.75	13.00
TCG48B31S	TM8V100C16MP11C	21.0	CF/CM/CU60D	1375	46.0	32.2	16.00	13.25
TCG48B31S	TM8V100C16MP11C	21.0	CF/CM64D	1325	46.0	31.6	15.75	13.25
TCG48B31S	TM8V100C16MP12C	21.0	CF/CM/CU48C	1425	45.0	34.3	15.75	13.00
TCG48B31S	TM8V100C16MP12C	21.0	CF/CM/CU60C	1425	45.5	34.5	16.00	13.25
TCG48B31S	TM8V100C16MP12C	21.0	CF/CM64D	1425	46.5	35.1	16.25	13.50
TCG48B31S	TM8V100C20MP11C	21.0	CF/CM/CU48C	1325	45.0	31.0	15.75	13.00
TCG48B31S	TM8V100C20MP11C	21.0	CF/CM/CU48D	1450	46.0	32.8	16.00	13.25
TCG48B31S	TM8V100C20MP11C	21.0	CF/CM/CU60C	1400	46.0	32.8	16.00	13.25

COOLING CAPACITY - With High Efficiency Motor Furnaces¹ (Continued)

UNIT MODEL	FURNACE		COIL MODEL ²	COOLING				
	MODEL	WIDTH		RATED CFM	NET MBH		SEER	EER
					TOTAL	SENS.		
TCG48B31S	TM8V100C20MP11C	21.0	CF/CM64D	1425	47.0	33.4	16.25	13.25
TCG48B31S	TM8V100C20MP12C	21.0	CF/CM/CU48C	1425	45.5	34.7	15.75	13.00
TCG48B31S	TM8V100C20MP12C	21.0	CF/CM/CU60C	1325	45.0	33.1	16.00	13.25
TCG48B31S	TM8V100C20MP12C	21.0	CF/CM64D	1425	46.5	35.0	16.25	13.25
TCG48B31S	TM8V120C20MP11C	21.0	CF/CM/CU48C	1325	45.0	31.0	15.75	13.00
TCG48B31S	TM8V120C20MP11C	21.0	CF/CM/CU48D	1450	46.0	32.8	16.00	13.25
TCG48B31S	TM8V120C20MP11C	21.0	CF/CM/CU60C	1400	46.0	32.8	16.00	13.25
TCG48B31S	TM8V120C20MP11C	21.0	CF/CM64D	1425	47.0	33.4	16.25	13.25
TCG48B31S	TM8V120C20MP12C	21.0	CF/CM/CU48C	1425	45.5	34.7	15.75	13.00
TCG48B31S	TM8V120C20MP12C	21.0	CF/CM/CU60C	1325	45.0	33.1	16.00	13.25
TCG48B31S	TM8V120C20MP12C	21.0	CF/CM64D	1425	46.5	35.0	16.25	13.25
TCG48B31S	TM8X080C16MP11	21.0	CF/CM/CU48C	1400	45.5	32.2	15.75	13.00
TCG48B31S	TM8X080C16MP11	21.0	CF/CM/CU48D	1425	45.5	32.6	15.75	13.00
TCG48B31S	TM8X080C16MP11	21.0	CF/CM/CU60C	1400	46.0	32.6	16.00	13.25
TCG48B31S	TM8X080C16MP11	21.0	CF/CM/CU60D	1425	46.0	33.2	16.25	13.25
TCG48B31S	TM8X080C16MP11	21.0	CF/CM64D	1400	46.5	33.2	16.25	13.50
TCG48B31S	TM8X100C16MP11	21.0	CF/CM/CU48C	1400	45.5	32.2	15.75	13.00
TCG48B31S	TM8X100C16MP11	21.0	CF/CM/CU48D	1425	45.5	32.6	15.75	13.00
TCG48B31S	TM8X100C16MP11	21.0	CF/CM/CU60C	1400	46.0	32.6	16.00	13.25
TCG48B31S	TM8X100C16MP11	21.0	CF/CM/CU60D	1425	46.0	33.2	16.25	13.25
TCG48B31S	TM8X100C16MP11	21.0	CF/CM64D	1400	46.5	33.2	16.25	13.50
TCG48B31S	TM8X100C20MP11	21.0	CF/CM/CU48C	1425	45.5	32.6	16.00	13.25
TCG48B31S	TM8X100C20MP11	21.0	CF/CM/CU48D	1300	45.0	31.2	16.25	13.50
TCG48B31S	TM8X100C20MP11	21.0	CF/CM/CU60C	1450	46.5	33.4	16.25	13.50
TCG48B31S	TM8X100C20MP11	21.0	CF/CM/CU60D	1475	46.5	33.8	16.50	13.50
TCG48B31S	TM8X100C20MP11	21.0	CF/CM64D	1450	47.0	33.8	16.50	13.75
TCG48B31S	TM8X120C20MP11	21.0	CF/CM/CU48C	1425	45.5	32.6	16.00	13.25
TCG48B31S	TM8X120C20MP11	21.0	CF/CM/CU48D	1300	45.0	31.2	16.25	13.50
TCG48B31S	TM8X120C20MP11	21.0	CF/CM/CU60C	1450	46.5	33.4	16.25	13.50
TCG48B31S	TM8X120C20MP11	21.0	CF/CM/CU60D	1475	46.5	33.8	16.50	13.50
TCG48B31S	TM8X120C20MP11	21.0	CF/CM64D	1450	47.0	33.8	16.50	13.75
TCG48B31S	TM8Y080C16MP11	21.0	CF/CM/CU48C	1400	45.5	32.2	15.75	13.00
TCG48B31S	TM8Y080C16MP11	21.0	CF/CM/CU48D	1425	45.5	32.6	15.75	13.00
TCG48B31S	TM8Y080C16MP11	21.0	CF/CM/CU60C	1400	46.0	32.6	16.00	13.25
TCG48B31S	TM8Y080C16MP11	21.0	CF/CM/CU60D	1425	46.0	33.2	16.25	13.25
TCG48B31S	TM8Y080C16MP11	21.0	CF/CM64D	1400	46.5	33.2	16.25	13.50
TCG48B31S	TM8Y100C16MP11	21.0	CF/CM/CU48C	1400	45.5	32.2	15.75	13.00
TCG48B31S	TM8Y100C16MP11	21.0	CF/CM/CU48D	1425	45.5	32.6	15.75	13.00
TCG48B31S	TM8Y100C16MP11	21.0	CF/CM/CU60C	1400	46.0	32.6	16.00	13.25
TCG48B31S	TM8Y100C16MP11	21.0	CF/CM/CU60D	1425	46.0	33.2	16.25	13.25
TCG48B31S	TM8Y100C16MP11	21.0	CF/CM64D	1400	46.5	33.2	16.25	13.50
TCG48B31S	TM8Y100C20MP11	21.0	CF/CM/CU48C	1425	45.5	32.6	16.00	13.25
TCG48B31S	TM8Y100C20MP11	21.0	CF/CM/CU48D	1300	45.0	31.2	16.25	13.50
TCG48B31S	TM8Y100C20MP11	21.0	CF/CM/CU60C	1450	46.5	33.4	16.25	13.50
TCG48B31S	TM8Y100C20MP11	21.0	CF/CM/CU60D	1475	46.5	33.8	16.50	13.50
TCG48B31S	TM8Y100C20MP11	21.0	CF/CM64D	1450	47.0	33.8	16.50	13.75
TCG48B31S	TM8Y120C20MP11	21.0	CF/CM/CU48C	1425	45.5	32.6	16.00	13.25
TCG48B31S	TM8Y120C20MP11	21.0	CF/CM/CU48D	1300	45.0	31.2	16.25	13.50
TCG48B31S	TM8Y120C20MP11	21.0	CF/CM/CU60C	1450	46.5	33.4	16.25	13.50
TCG48B31S	TM8Y120C20MP11	21.0	CF/CM/CU60D	1475	46.5	33.8	16.50	13.50
TCG48B31S	TM8Y120C20MP11	21.0	CF/CM64D	1450	47.0	33.8	16.50	13.75
TCG48B31S	TM9E080B12MP12	17.5	CF/CM/CU48C	1325	44.5	33.0	15.00	12.50
TCG48B31S	TM9E080B12MP12	17.5	CF/CM/CU60C	1325	45.0	33.1	14.75	12.25

COOLING CAPACITY - With High Efficiency Motor Furnaces¹ (Continued)

UNIT MODEL	FURNACE		COIL MODEL ²	COOLING				
	MODEL	WIDTH		RATED CFM	NET MBH		SEER	EER
					TOTAL	SENS.		
TCG48B31S	TM9E080C16MP11	21.0	CF/CM/CU48C	1250	45.0	32.3	15.50	13.00
TCG48B31S	TM9E080C16MP11	21.0	CF/CM/CU48D	1250	45.0	32.3	15.75	13.00
TCG48B31S	TM9E080C16MP11	21.0	CF/CM/CU60C	1250	44.5	32.0	15.75	13.00
TCG48B31S	TM9E080C16MP11	21.0	CF/CM/CU60D	1250	45.5	32.9	16.00	13.25
TCG48B31S	TM9E080C16MP11	21.0	CF/CM64D	1250	46.0	33.1	16.25	13.25
TCG48B31S	TM9E080C20MP12	21.0	CF/CM/CU48C	1400	45.5	34.6	16.00	13.00
TCG48B31S	TM9E080C20MP12	21.0	CF/CM/CU48D	1425	45.5	34.7	16.00	13.25
TCG48B31S	TM9E080C20MP12	21.0	CF/CM/CU60C	1400	45.5	34.1	15.75	13.00
TCG48B31S	TM9E080C20MP12	21.0	CF/CM/CU60D	1425	46.0	34.7	15.75	13.00
TCG48B31S	TM9E080C20MP12	21.0	CF/CM64D	1400	46.5	35.1	16.25	13.50
TCG48B31S	TM9E100C16MP11	21.0	CF/CM/CU48C	1325	45.0	30.8	15.50	13.00
TCG48B31S	TM9E100C16MP11	21.0	CF/CM/CU48D	1350	45.0	31.0	15.75	13.00
TCG48B31S	TM9E100C16MP11	21.0	CF/CM/CU60C	1325	45.5	31.2	15.75	13.00
TCG48B31S	TM9E100C16MP11	21.0	CF/CM/CU60D	1325	45.5	31.2	16.00	13.25
TCG48B31S	TM9E100C16MP11	21.0	CF/CM64D	1350	46.0	31.6	16.25	13.25
TCG48B31S	TM9E100C16MP12	21.0	CF/CM/CU60D	1600	46.0	36.3	14.50	12.25
TCG48B31S	TM9E100C20MP11	21.0	CF/CM/CU48C	1400	45.5	32.2	16.00	13.25
TCG48B31S	TM9E100C20MP11	21.0	CF/CM/CU48D	1425	45.5	32.6	16.00	13.25
TCG48B31S	TM9E100C20MP11	21.0	CF/CM/CU60C	1400	46.0	32.8	16.25	13.50
TCG48B31S	TM9E100C20MP11	21.0	CF/CM/CU60D	1450	46.5	33.4	16.25	13.50
TCG48B31S	TM9E100C20MP11	21.0	CF/CM64D	1400	47.0	33.2	16.50	13.50
TCG48B31S	TM9E100C20MP12	21.0	CF/CM/CU48C	1400	45.5	34.6	16.00	13.25
TCG48B31S	TM9E100C20MP12	21.0	CF/CM/CU48D	1425	45.5	34.7	16.00	13.25
TCG48B31S	TM9E100C20MP12	21.0	CF/CM/CU60C	1400	45.5	34.1	16.00	13.25
TCG48B31S	TM9E100C20MP12	21.0	CF/CM/CU60D	1425	46.0	34.7	16.00	13.25
TCG48B31S	TM9E100C20MP12	21.0	CF/CM64D	1400	46.5	35.1	16.50	13.50
TCG48B31S	TM9E120D20MP11	24.5	CF/CM/CU48D	1425	46.0	32.6	16.20	13.25
TCG48B31S	TM9E120D20MP11	24.5	CF/CM/CU60D	1425	46.5	33.2	16.50	13.50
TCG48B31S	TM9E120D20MP11	24.5	CF/CM64D	1400	47.0	33.4	16.50	13.75
TCG48B31S	TM9E120D20MP12	24.5	CF/CM/CU48D	1450	45.5	34.9	16.00	13.00
TCG48B31S	TM9E120D20MP12	24.5	CF/CM/CU60D	1450	46.0	35.0	15.75	13.00
TCG48B31S	TM9E120D20MP12	24.5	CF/CM64D	1450	47.0	35.7	16.25	13.50
TCG48B31S	TM9V080C16MP11C	21.0	CF/CM/CU48C	1350	45.0	30.8	15.50	12.75
TCG48B31S	TM9V080C16MP11C	21.0	CF/CM/CU48D	1425	46.0	32.8	16.25	13.25
TCG48B31S	TM9V080C16MP11C	21.0	CF/CM/CU60C	1350	45.5	31.4	16.00	13.25
TCG48B31S	TM9V080C16MP11C	21.0	CF/CM/CU60D	1375	46.0	32.4	16.00	13.25
TCG48B31S	TM9V080C16MP11C	21.0	CF/CM64D	1350	46.5	31.6	16.25	13.50
TCG48B31S	TM9V080C16MP12C	21.0	CF/CM/CU48C	1300	45.0	32.8	15.75	13.00
TCG48B31S	TM9V080C16MP12C	21.0	CF/CM/CU48D	1300	45.5	33.3	16.00	13.25
TCG48B31S	TM9V080C16MP12C	21.0	CF/CM/CU60C	1300	45.0	33.0	15.75	13.00
TCG48B31S	TM9V080C16MP12C	21.0	CF/CM/CU60D	1300	45.0	33.0	15.75	13.00
TCG48B31S	TM9V080C16MP12C	21.0	CF/CM64D	1300	46.5	34.1	16.25	13.50
TCG48B31S	TM9V100C16MP11C	21.0	CF/CM/CU48C	1350	45.0	30.8	15.50	12.75
TCG48B31S	TM9V100C16MP11C	21.0	CF/CM/CU48D	1425	46.0	32.8	16.25	13.25
TCG48B31S	TM9V100C16MP11C	21.0	CF/CM/CU60C	1350	45.5	31.4	16.00	13.25
TCG48B31S	TM9V100C16MP11C	21.0	CF/CM/CU60D	1375	46.0	32.4	16.00	13.25
TCG48B31S	TM9V100C16MP11C	21.0	CF/CM64D	1350	46.5	31.6	16.25	13.50
TCG48B31S	TM9V100C16MP12C	21.0	CF/CM/CU48C	1475	45.5	35.2	15.75	13.00
TCG48B31S	TM9V100C16MP12C	21.0	CF/CM/CU60C	1475	46.5	36.0	16.00	13.25
TCG48B31S	TM9V100C16MP12C	21.0	CF/CM64D	1475	47.0	36.4	16.50	13.50
TCG48B31S	TM9V100C20MP11C	21.0	CF/CM/CU48C	1350	45.5	30.8	15.25	12.75
TCG48B31S	TM9V100C20MP11C	21.0	CF/CM/CU48D	1325	45.5	30.8	15.50	12.75
TCG48B31S	TM9V100C20MP11C	21.0	CF/CM/CU60C	1325	45.5	31.2	15.75	13.00

COOLING CAPACITY - With High Efficiency Motor Furnaces¹ (Continued)

UNIT MODEL	FURNACE		COIL MODEL ²	COOLING				
	MODEL	WIDTH		RATED CFM	NET MBH		SEER	EER
					TOTAL	SENS.		
TCG48B31S	TM9V100C20MP11C	21.0	CF/CM/CU60D	1350	45.5	31.2	15.75	13.00
TCG48B31S	TM9V100C20MP11C	21.0	CF/CM64D	1350	46.5	31.6	16.00	13.25
TCG48B31S	TM9V100C20MP12C	21.0	CF/CM/CU48C	1475	45.5	35.2	15.25	12.75
TCG48B31S	TM9V100C20MP12C	21.0	CF/CM/CU60C	1475	46.5	36.0	15.75	13.00
TCG48B31S	TM9V100C20MP12C	21.0	CF/CM64D	1475	47.0	36.4	16.50	13.50
TCG48B31S	TM9V120D20MP11C	24.5	CF/CM/CU48D	1350	45.5	31.0	16.00	13.00
TCG48B31S	TM9V120D20MP11C	24.5	CF/CM/CU60D	1400	46.5	32.8	16.25	13.25
TCG48B31S	TM9V120D20MP11C	24.5	CF/CM64D	1475	47.0	34.0	16.25	13.25
TCG48B31S	TM9V120D20MP12C	24.5	CF/CM/CU48D	1400	45.0	34.0	16.20	13.25
TCG48B31S	TM9V120D20MP12C	24.5	CF/CM/CU60D	1400	46.0	34.8	16.50	13.50
TCG48B31S	TM9V120D20MP12C	24.5	CF/CM64D	1400	46.5	35.0	16.50	13.25
TCG48B31S	TM9Y080C16MP11	21.0	CF/CM/CU48C	1250	45.0	32.3	15.50	13.00
TCG48B31S	TM9Y080C16MP11	21.0	CF/CM/CU48D	1250	45.0	32.3	15.75	13.00
TCG48B31S	TM9Y080C16MP11	21.0	CF/CM/CU60C	1250	44.5	32.0	15.75	13.00
TCG48B31S	TM9Y080C16MP11	21.0	CF/CM/CU60D	1250	45.5	32.9	16.00	13.25
TCG48B31S	TM9Y080C16MP11	21.0	CF/CM64D	1250	46.0	33.1	16.25	13.25
TCG48B31S	TM9Y100C16MP11	21.0	CF/CM/CU48C	1325	45.0	30.8	15.50	13.00
TCG48B31S	TM9Y100C16MP11	21.0	CF/CM/CU48D	1350	45.0	31.0	15.75	13.00
TCG48B31S	TM9Y100C16MP11	21.0	CF/CM/CU60C	1325	45.5	31.2	15.75	13.00
TCG48B31S	TM9Y100C16MP11	21.0	CF/CM/CU60D	1325	45.5	31.2	16.00	13.25
TCG48B31S	TM9Y100C16MP11	21.0	CF/CM64D	1350	46.0	31.6	16.25	13.25
TCG48B31S	TM9Y100C20MP11	21.0	CF/CM/CU48C	1400	45.5	32.2	16.00	13.25
TCG48B31S	TM9Y100C20MP11	21.0	CF/CM/CU48D	1425	45.5	32.6	16.00	13.25
TCG48B31S	TM9Y100C20MP11	21.0	CF/CM/CU60C	1400	46.0	32.8	16.25	13.50
TCG48B31S	TM9Y100C20MP11	21.0	CF/CM/CU60D	1450	46.5	33.4	16.25	13.50
TCG48B31S	TM9Y100C20MP11	21.0	CF/CM64D	1400	47.0	33.2	16.50	13.50
TCG48B31S	TM9Y120D20MP11	24.5	CF/CM/CU48D	1425	46.0	32.6	16.20	13.25
TCG48B31S	TM9Y120D20MP11	24.5	CF/CM/CU60D	1425	46.5	33.2	16.50	13.50
TCG48B31S	TM9Y120D20MP11	24.5	CF/CM64D	1400	47.0	33.4	16.50	13.75
TCG48B31S	TMLE080B12MP11	17.5	CF/CM/CU48C	1325	44.5	33.0	15.00	12.50
TCG48B31S	TMLE080B12MP11	17.5	CF/CM/CU60C	1325	45.0	33.1	14.75	12.25
TCG48B31S	TMLE080C16MP11	21.0	CF/CM/CU48C	1575	44.0	33.5	14.50	12.25
TCG48B31S	TMLE080C16MP11	21.0	CF/CM/CU48D	1600	44.5	34.1	14.50	12.25
TCG48B31S	TMLE080C16MP11	21.0	CF/CM/CU60C	1575	46.0	35.9	15.00	12.50
TCG48B31S	TMLE080C16MP11	21.0	CF/CM/CU60D	1600	46.0	36.2	15.00	12.50
TCG48B31S	TMLE080C16MP11	21.0	CF/CM64D	1575	47.5	37.4	15.50	12.75
TCG48B31S	TMLE080C20MP11	21.0	CF/CM/CU48C	1450	45.5	34.9	16.00	13.25
TCG48B31S	TMLE080C20MP11	21.0	CF/CM/CU48D	1475	46.0	35.6	16.00	13.25
TCG48B31S	TMLE080C20MP11	21.0	CF/CM/CU60C	1450	46.0	34.9	15.75	13.00
TCG48B31S	TMLE080C20MP11	21.0	CF/CM/CU60D	1475	46.0	35.2	15.75	13.00
TCG48B31S	TMLE080C20MP11	21.0	CF/CM64D	1450	47.5	36.1	16.25	13.50
TCG48B31S	TMLE100C16MP11	21.0	CF/CM/CU48C	1300	45.0	33.3	15.75	13.00
TCG48B31S	TMLE100C16MP11	21.0	CF/CM/CU48D	1300	45.0	33.3	16.00	13.00
TCG48B31S	TMLE100C16MP11	21.0	CF/CM/CU60C	1575	46.0	35.9	15.00	12.50
TCG48B31S	TMLE100C16MP11	21.0	CF/CM/CU60D	1300	45.0	32.9	15.75	13.00
TCG48B31S	TMLE100C16MP11	21.0	CF/CM64D	1300	46.0	34.0	16.25	13.50
TCG48B31S	TMLE100C20MP11	21.0	CF/CM/CU48C	1425	45.5	34.7	15.75	13.00
TCG48B31S	TMLE100C20MP11	21.0	CF/CM/CU48D	1450	46.0	35.4	16.00	13.25
TCG48B31S	TMLE100C20MP11	21.0	CF/CM/CU60C	1425	45.5	34.2	16.00	13.00
TCG48B31S	TMLE100C20MP11	21.0	CF/CM/CU60D	1450	46.0	34.9	15.75	13.00
TCG48B31S	TMLE100C20MP11	21.0	CF/CM64D	1425	47.0	35.4	16.25	13.50
TCG48B31S	TMLE120C16MP11	21.0	CF/CM/CU48C	1300	45.0	33.3	16.00	13.00
TCG48B31S	TMLE120C16MP11	21.0	CF/CM/CU48D	1300	45.0	33.3	16.00	13.25

COOLING CAPACITY - With High Efficiency Motor Furnaces¹ (Continued)

UNIT MODEL	FURNACE		COIL MODEL ²	COOLING				
	MODEL	WIDTH		RATED CFM	NET MBH		SEER	EER
					TOTAL	SENS.		
TCG48B31S	TMLE120C16MP11	21.0	CF/CM/CU60C	1300	45.0	32.9	15.75	13.00
TCG48B31S	TMLE120C16MP11	21.0	CF/CM/CU60D	1325	45.5	33.5	15.75	13.00
TCG48B31S	TMLE120C16MP11	21.0	CF/CM64D	1300	46.0	34.0	16.25	13.50
TCG48B31S	TMLE120C20MP11	21.0	CF/CM/CU48C	1425	45.5	34.7	16.00	13.25
TCG48B31S	TMLE120C20MP11	21.0	CF/CM/CU48D	1450	46.0	35.4	16.00	13.25
TCG48B31S	TMLE120C20MP11	21.0	CF/CM/CU60C	1425	46.0	34.7	16.00	13.25
TCG48B31S	TMLE120C20MP11	21.0	CF/CM/CU60D	1300	45.0	32.9	16.00	13.25
TCG48B31S	TMLE120C20MP11	21.0	CF/CM64D	1425	47.0	35.4	16.25	13.50
TCG48B31S	TMLE130D20MP11	24.5	CF/CM/CU48D	1425	45.5	34.7	16.00	13.25
TCG48B31S	TMLE130D20MP11	24.5	CF/CM/CU60D	1450	46.0	34.9	16.00	13.25
TCG48B31S	TMLE130D20MP11	24.5	CF/CM64D	1425	47.5	35.9	16.50	13.75
TCG48B31S	TMLV080C16MP11C	21.0	CF/CM/CU48C	1375	45.5	31.8	15.50	12.75
TCG48B31S	TMLV080C16MP11C	21.0	CF/CM/CU48D	1375	45.5	32.0	15.75	13.00
TCG48B31S	TMLV080C16MP11C	21.0	CF/CM/CU60C	1375	46.0	32.2	15.75	13.00
TCG48B31S	TMLV080C16MP11C	21.0	CF/CM/CU60D	1375	46.0	32.2	16.00	13.25
TCG48B31S	TMLV080C16MP11C	21.0	CF/CM64D	1325	46.0	31.6	15.75	13.25
TCG48B31S	TMLV080C16MP12C	21.0	CF/CM/CU48C	1425	45.0	34.3	15.75	13.00
TCG48B31S	TMLV080C16MP12C	21.0	CF/CM/CU60C	1425	45.5	34.5	16.00	13.25
TCG48B31S	TMLV080C16MP12C	21.0	CF/CM64D	1425	46.5	35.1	16.25	13.50
TCG48B31S	TMLV100C16MP11C	21.0	CF/CM/CU48C	1375	45.5	31.8	15.50	12.75
TCG48B31S	TMLV100C16MP11C	21.0	CF/CM/CU48D	1375	45.5	32.0	15.75	13.00
TCG48B31S	TMLV100C16MP11C	21.0	CF/CM/CU60C	1375	46.0	32.2	15.75	13.00
TCG48B31S	TMLV100C16MP11C	21.0	CF/CM/CU60D	1375	46.0	32.2	16.00	13.25
TCG48B31S	TMLV100C16MP11C	21.0	CF/CM64D	1325	46.0	31.6	15.75	13.25
TCG48B31S	TMLV100C16MP12C	21.0	CF/CM/CU48C	1425	45.0	34.3	15.75	13.00
TCG48B31S	TMLV100C16MP12C	21.0	CF/CM/CU60C	1425	45.5	34.5	16.00	13.25
TCG48B31S	TMLV100C16MP12C	21.0	CF/CM64D	1425	46.5	35.1	16.25	13.50
TCG48B31S	TMLV100C20MP11C	21.0	CF/CM/CU48C	1325	45.0	31.0	15.75	13.00
TCG48B31S	TMLV100C20MP11C	21.0	CF/CM/CU48D	1450	46.0	32.8	16.00	13.25
TCG48B31S	TMLV100C20MP11C	21.0	CF/CM/CU60C	1400	46.0	32.8	16.00	13.25
TCG48B31S	TMLV100C20MP11C	21.0	CF/CM64D	1425	47.0	33.4	16.25	13.25
TCG48B31S	TMLV100C20MP12C	21.0	CF/CM/CU48C	1425	45.5	34.7	15.75	13.00
TCG48B31S	TMLV100C20MP12C	21.0	CF/CM/CU60C	1325	45.0	33.1	16.00	13.25
TCG48B31S	TMLV100C20MP12C	21.0	CF/CM64D	1425	46.5	35.0	16.25	13.25
TCG48B31S	TMLV120C20MP11C	21.0	CF/CM/CU48C	1325	45.0	31.0	15.75	13.00
TCG48B31S	TMLV120C20MP11C	21.0	CF/CM/CU48D	1450	46.0	32.8	16.00	13.25
TCG48B31S	TMLV120C20MP11C	21.0	CF/CM/CU60C	1400	46.0	32.8	16.00	13.25
TCG48B31S	TMLV120C20MP11C	21.0	CF/CM64D	1425	47.0	33.4	16.25	13.25
TCG48B31S	TMLV120C20MP12C	21.0	CF/CM/CU48C	1425	45.5	34.7	15.75	13.00
TCG48B31S	TMLV120C20MP12C	21.0	CF/CM/CU60C	1325	45.0	33.1	16.00	13.25
TCG48B31S	TMLV120C20MP12C	21.0	CF/CM64D	1425	46.5	35.0	16.25	13.25
TCG48B31S	TMLX080C16MP11	21.0	CF/CM/CU48C	1400	45.5	32.2	15.75	13.00
TCG48B31S	TMLX080C16MP11	21.0	CF/CM/CU48D	1425	45.5	32.6	15.75	13.00
TCG48B31S	TMLX080C16MP11	21.0	CF/CM/CU60C	1400	46.0	32.6	16.00	13.25
TCG48B31S	TMLX080C16MP11	21.0	CF/CM/CU60D	1425	46.0	33.2	16.25	13.25
TCG48B31S	TMLX080C16MP11	21.0	CF/CM64D	1400	46.5	33.2	16.25	13.50
TCG48B31S	TMLX100C16MP11	21.0	CF/CM/CU48C	1400	45.5	32.2	15.75	13.00
TCG48B31S	TMLX100C16MP11	21.0	CF/CM/CU48D	1425	45.5	32.6	15.75	13.00
TCG48B31S	TMLX100C16MP11	21.0	CF/CM/CU60C	1400	46.0	32.6	16.00	13.25
TCG48B31S	TMLX100C16MP11	21.0	CF/CM/CU60D	1425	46.0	33.2	16.25	13.25
TCG48B31S	TMLX100C16MP11	21.0	CF/CM64D	1400	46.5	33.2	16.25	13.50
TCG48B31S	TMLX100C20MP11	21.0	CF/CM/CU48C	1425	45.5	32.6	16.00	13.25
TCG48B31S	TMLX100C20MP11	21.0	CF/CM/CU48D	1300	45.0	31.2	16.25	13.50

COOLING CAPACITY - With High Efficiency Motor Furnaces¹ (Continued)

UNIT MODEL	FURNACE		COIL MODEL ²	COOLING				
	MODEL	WIDTH		RATED CFM	NET MBH		SEER	EER
					TOTAL	SENS.		
TCG48B31S	TMLX100C20MP11	21.0	CF/CM/CU60C	1450	46.5	33.4	16.25	13.50
TCG48B31S	TMLX100C20MP11	21.0	CF/CM/CU60D	1475	46.5	33.8	16.50	13.50
TCG48B31S	TMLX100C20MP11	21.0	CF/CM64D	1450	47.0	33.8	16.50	13.75
TCG48B31S	TMLX120C20MP11	21.0	CF/CM/CU48C	1425	45.5	32.6	16.00	13.25
TCG48B31S	TMLX120C20MP11	21.0	CF/CM/CU48D	1300	45.0	31.2	16.25	13.50
TCG48B31S	TMLX120C20MP11	21.0	CF/CM/CU60C	1450	46.5	33.4	16.25	13.50
TCG48B31S	TMLX120C20MP11	21.0	CF/CM/CU60D	1475	46.5	33.8	16.50	13.50
TCG48B31S	TMLX120C20MP11	21.0	CF/CM64D	1450	47.0	33.8	16.50	13.75
TCG48B31S	TP9C080C16MP12C	21.0	CF/CM/CU48C	1350	45.0	30.8	15.50	12.75
TCG48B31S	TP9C080C16MP12C	21.0	CF/CM/CU48D	1425	46.0	32.8	16.25	13.25
TCG48B31S	TP9C080C16MP12C	21.0	CF/CM/CU60C	1350	45.5	31.4	16.00	13.25
TCG48B31S	TP9C080C16MP12C	21.0	CF/CM/CU60D	1375	46.0	32.4	16.00	13.25
TCG48B31S	TP9C080C16MP12C	21.0	CF/CM64D	1350	46.5	31.6	16.25	13.50
TCG48B31S	TP9C080C16MP13C	21.0	CF/CM/CU48C	1300	45.0	32.8	15.75	13.00
TCG48B31S	TP9C080C16MP13C	21.0	CF/CM/CU48D	1300	45.5	33.3	16.00	13.25
TCG48B31S	TP9C080C16MP13C	21.0	CF/CM/CU60C	1300	45.0	33.0	15.75	13.00
TCG48B31S	TP9C080C16MP13C	21.0	CF/CM/CU60D	1300	45.0	33.0	15.75	13.00
TCG48B31S	TP9C080C16MP13C	21.0	CF/CM64D	1300	46.5	34.1	16.25	13.50
TCG48B31S	TP9C100C16MP12C	21.0	CF/CM/CU48C	1350	45.0	30.8	15.50	12.75
TCG48B31S	TP9C100C16MP12C	21.0	CF/CM/CU48D	1425	46.0	32.8	16.25	13.25
TCG48B31S	TP9C100C16MP12C	21.0	CF/CM/CU60C	1350	45.5	31.4	16.00	13.25
TCG48B31S	TP9C100C16MP12C	21.0	CF/CM/CU60D	1375	46.0	32.4	16.00	13.25
TCG48B31S	TP9C100C16MP12C	21.0	CF/CM64D	1350	46.5	31.6	16.25	13.50
TCG48B31S	TP9C100C16MP13C	21.0	CF/CM/CU48C	1475	45.5	35.2	15.75	13.00
TCG48B31S	TP9C100C16MP13C	21.0	CF/CM/CU60C	1475	46.5	36.0	16.00	13.25
TCG48B31S	TP9C100C16MP13C	21.0	CF/CM64D	1475	47.0	36.4	16.50	13.50
TCG48B31S	TP9C100C20MP12C	21.0	CF/CM/CU48C	1350	45.5	30.8	15.25	12.75
TCG48B31S	TP9C100C20MP12C	21.0	CF/CM/CU48D	1325	45.5	30.8	15.50	12.75
TCG48B31S	TP9C100C20MP12C	21.0	CF/CM/CU60C	1325	45.5	31.2	15.75	13.00
TCG48B31S	TP9C100C20MP12C	21.0	CF/CM/CU60D	1350	45.5	31.2	15.75	13.00
TCG48B31S	TP9C100C20MP12C	21.0	CF/CM64D	1350	46.5	31.6	16.00	13.25
TCG48B31S	TP9C100C20MP13C	21.0	CF/CM/CU48C	1475	45.5	35.2	15.25	12.75
TCG48B31S	TP9C100C20MP13C	21.0	CF/CM/CU60C	1475	46.5	36.0	15.75	13.00
TCG48B31S	TP9C100C20MP13C	21.0	CF/CM64D	1475	47.0	36.4	16.50	13.50
TCG48B31S	TP9C120D20MP12C	24.5	CF/CM/CU48D	1350	45.5	31.0	16.00	13.00
TCG48B31S	TP9C120D20MP12C	24.5	CF/CM/CU60D	1400	46.5	32.8	16.25	13.25
TCG48B31S	TP9C120D20MP12C	24.5	CF/CM64D	1475	47.0	34.0	16.25	13.25
TCG48B31S	TP9C120D20MP13C	24.5	CF/CM/CU48D	1400	45.0	34.0	16.20	13.25
TCG48B31S	TP9C120D20MP13C	24.5	CF/CM/CU60D	1400	46.0	34.8	16.50	13.50
TCG48B31S	TP9C120D20MP13C	24.5	CF/CM64D	1400	46.5	35.0	16.50	13.25
TCG48B31S	TPLC080C16MP12C	21.0	CF/CM/CU48C	1375	45.5	31.8	15.50	12.75
TCG48B31S	TPLC080C16MP12C	21.0	CF/CM/CU48D	1375	45.5	32.0	15.75	13.00
TCG48B31S	TPLC080C16MP12C	21.0	CF/CM/CU60C	1375	46.0	32.2	15.75	13.00
TCG48B31S	TPLC080C16MP12C	21.0	CF/CM/CU60D	1375	46.0	32.2	16.00	13.25
TCG48B31S	TPLC080C16MP12C	21.0	CF/CM64D	1325	46.0	31.6	15.75	13.25
TCG48B31S	TPLC080C16MP13C	21.0	CF/CM/CU48C	1425	45.0	34.3	15.75	13.00
TCG48B31S	TPLC080C16MP13C	21.0	CF/CM/CU60C	1425	45.5	34.5	16.00	13.25
TCG48B31S	TPLC080C16MP13C	21.0	CF/CM64D	1425	46.5	35.1	16.25	13.50
TCG48B31S	TPLC100C16MP12C	21.0	CF/CM/CU48C	1375	45.5	31.8	15.50	12.75
TCG48B31S	TPLC100C16MP12C	21.0	CF/CM/CU48D	1375	45.5	32.0	15.75	13.00
TCG48B31S	TPLC100C16MP12C	21.0	CF/CM/CU60C	1375	46.0	32.2	15.75	13.00
TCG48B31S	TPLC100C16MP12C	21.0	CF/CM/CU60D	1375	46.0	32.2	16.00	13.25
TCG48B31S	TPLC100C16MP12C	21.0	CF/CM64D	1325	46.0	31.6	15.75	13.25

COOLING CAPACITY - With High Efficiency Motor Furnaces¹ (Continued)

UNIT MODEL	FURNACE		COIL MODEL ²	COOLING				
	MODEL	WIDTH		RATED CFM	NET MBH		SEER	EER
					TOTAL	SENS.		
TCG48B31S	TPLC100C16MP13C	21.0	CF/CM/CU48C	1425	45.0	34.3	15.75	13.00
TCG48B31S	TPLC100C16MP13C	21.0	CF/CM/CU60C	1425	45.5	34.5	16.00	13.25
TCG48B31S	TPLC100C16MP13C	21.0	CF/CM64D	1425	46.5	35.1	16.25	13.50
TCG48B31S	TPLC100C20MP12C	21.0	CF/CM/CU48C	1325	45.0	31.0	15.75	13.00
TCG48B31S	TPLC100C20MP12C	21.0	CF/CM/CU48D	1450	46.0	32.8	16.00	13.25
TCG48B31S	TPLC100C20MP12C	21.0	CF/CM/CU60C	1400	46.0	32.8	16.00	13.25
TCG48B31S	TPLC100C20MP12C	21.0	CF/CM64D	1425	47.0	33.4	16.25	13.25
TCG48B31S	TPLC100C20MP13C	21.0	CF/CM/CU48C	1425	45.5	34.7	15.75	13.00
TCG48B31S	TPLC100C20MP13C	21.0	CF/CM/CU60C	1325	45.0	33.1	16.00	13.25
TCG48B31S	TPLC100C20MP13C	21.0	CF/CM64D	1425	46.5	35.0	16.25	13.25
TCG48B31S	TPLC120C20MP12C	21.0	CF/CM/CU48C	1325	45.0	31.0	15.75	13.00
TCG48B31S	TPLC120C20MP12C	21.0	CF/CM/CU48D	1450	46.0	32.8	16.00	13.25
TCG48B31S	TPLC120C20MP12C	21.0	CF/CM/CU60C	1400	46.0	32.8	16.00	13.25
TCG48B31S	TPLC120C20MP12C	21.0	CF/CM64D	1425	47.0	33.4	16.25	13.25
TCG48B31S	TPLC120C20MP13C	21.0	CF/CM/CU48C	1425	45.5	34.7	15.75	13.00
TCG48B31S	TPLC120C20MP13C	21.0	CF/CM/CU60C	1325	45.0	33.1	16.00	13.25
TCG48B31S	TPLC120C20MP13C	21.0	CF/CM64D	1425	46.5	35.0	16.25	13.25
TCG48B31S	YP9C080C16MP12C	21.0	CF/CM/CU48C	1350	45.0	30.8	15.50	12.75
TCG48B31S	YP9C080C16MP12C	21.0	CF/CM/CU48D	1425	46.0	32.8	16.25	13.25
TCG48B31S	YP9C080C16MP12C	21.0	CF/CM/CU60C	1350	45.5	31.4	16.00	13.25
TCG48B31S	YP9C080C16MP12C	21.0	CF/CM/CU60D	1375	46.0	32.4	16.00	13.25
TCG48B31S	YP9C080C16MP12C	21.0	CF/CM64D	1350	46.5	31.6	16.25	13.50
TCG48B31S	YP9C080C16MP13C	21.0	CF/CM/CU48C	1300	45.0	32.8	15.75	13.00
TCG48B31S	YP9C080C16MP13C	21.0	CF/CM/CU48D	1300	45.5	33.3	16.00	13.25
TCG48B31S	YP9C080C16MP13C	21.0	CF/CM/CU60C	1300	45.0	33.0	15.75	13.00
TCG48B31S	YP9C080C16MP13C	21.0	CF/CM/CU60D	1300	45.0	33.0	15.75	13.00
TCG48B31S	YP9C080C16MP13C	21.0	CF/CM64D	1300	46.5	34.1	16.25	13.50
TCG48B31S	YP9C100C16MP12C	21.0	CF/CM/CU48C	1350	45.0	30.8	15.50	12.75
TCG48B31S	YP9C100C16MP12C	21.0	CF/CM/CU48D	1425	46.0	32.8	16.25	13.25
TCG48B31S	YP9C100C16MP12C	21.0	CF/CM/CU60C	1350	45.5	31.4	16.00	13.25
TCG48B31S	YP9C100C16MP12C	21.0	CF/CM/CU60D	1375	46.0	32.4	16.00	13.25
TCG48B31S	YP9C100C16MP12C	21.0	CF/CM64D	1350	46.5	31.6	16.25	13.50
TCG48B31S	YP9C100C16MP13C	21.0	CF/CM/CU48C	1475	45.5	35.2	15.75	13.00
TCG48B31S	YP9C100C16MP13C	21.0	CF/CM/CU60C	1475	46.5	36.0	16.00	13.25
TCG48B31S	YP9C100C16MP13C	21.0	CF/CM64D	1475	47.0	36.4	16.50	13.50
TCG48B31S	YP9C100C20MP12C	21.0	CF/CM/CU48C	1350	45.5	30.8	15.25	12.75
TCG48B31S	YP9C100C20MP12C	21.0	CF/CM/CU48D	1325	45.5	30.8	15.50	12.75
TCG48B31S	YP9C100C20MP12C	21.0	CF/CM/CU60C	1325	45.5	31.2	15.75	13.00
TCG48B31S	YP9C100C20MP12C	21.0	CF/CM/CU60D	1350	45.5	31.2	15.75	13.00
TCG48B31S	YP9C100C20MP12C	21.0	CF/CM64D	1350	46.5	31.6	16.00	13.25
TCG48B31S	YP9C100C20MP13C	21.0	CF/CM/CU48C	1475	45.5	35.2	15.25	12.75
TCG48B31S	YP9C100C20MP13C	21.0	CF/CM/CU60C	1475	46.5	36.0	15.75	13.00
TCG48B31S	YP9C100C20MP13C	21.0	CF/CM64D	1475	47.0	36.4	16.50	13.50
TCG48B31S	YP9C120D20MP12C	24.5	CF/CM/CU48D	1350	45.5	31.0	16.00	13.00
TCG48B31S	YP9C120D20MP12C	24.5	CF/CM/CU60D	1400	46.5	32.8	16.25	13.25
TCG48B31S	YP9C120D20MP12C	24.5	CF/CM64D	1475	47.0	34.0	16.25	13.25
TCG48B31S	YP9C120D20MP13C	24.5	CF/CM/CU48D	1400	45.0	34.0	16.20	13.25
TCG48B31S	YP9C120D20MP13C	24.5	CF/CM/CU60D	1400	46.0	34.8	16.50	13.50
TCG48B31S	YP9C120D20MP13C	24.5	CF/CM64D	1400	46.5	35.0	16.50	13.25
TCG48B31S	YPLC080C16MP12C	21.0	CF/CM/CU48C	1375	45.5	31.8	15.50	12.75
TCG48B31S	YPLC080C16MP12C	21.0	CF/CM/CU48D	1375	45.5	32.0	15.75	13.00
TCG48B31S	YPLC080C16MP12C	21.0	CF/CM/CU60C	1375	46.0	32.2	15.75	13.00
TCG48B31S	YPLC080C16MP12C	21.0	CF/CM/CU60D	1375	46.0	32.2	16.00	13.25

COOLING CAPACITY - With High Efficiency Motor Furnaces¹ (Continued)

UNIT MODEL	FURNACE		COIL MODEL ²	COOLING				
	MODEL	WIDTH		RATED CFM	NET MBH		SEER	EER
					TOTAL	SENS.		
TCG48B31S	YPLC080C16MP12C	21.0	CF/CM64D	1325	46.0	31.6	15.75	13.25
TCG48B31S	YPLC080C16MP13C	21.0	CF/CM/CU48C	1425	45.0	34.3	15.75	13.00
TCG48B31S	YPLC080C16MP13C	21.0	CF/CM/CU60C	1425	45.5	34.5	16.00	13.25
TCG48B31S	YPLC080C16MP13C	21.0	CF/CM64D	1425	46.5	35.1	16.25	13.50
TCG48B31S	YPLC100C16MP12C	21.0	CF/CM/CU48C	1375	45.5	31.8	15.50	12.75
TCG48B31S	YPLC100C16MP12C	21.0	CF/CM/CU48D	1375	45.5	32.0	15.75	13.00
TCG48B31S	YPLC100C16MP12C	21.0	CF/CM/CU60C	1375	46.0	32.2	15.75	13.00
TCG48B31S	YPLC100C16MP12C	21.0	CF/CM/CU60D	1375	46.0	32.2	16.00	13.25
TCG48B31S	YPLC100C16MP12C	21.0	CF/CM64D	1325	46.0	31.6	15.75	13.25
TCG48B31S	YPLC100C16MP13C	21.0	CF/CM/CU48C	1425	45.0	34.3	15.75	13.00
TCG48B31S	YPLC100C16MP13C	21.0	CF/CM/CU60C	1425	45.5	34.5	16.00	13.25
TCG48B31S	YPLC100C16MP13C	21.0	CF/CM64D	1425	46.5	35.1	16.25	13.50
TCG48B31S	YPLC100C20MP12C	21.0	CF/CM/CU48C	1325	45.0	31.0	15.75	13.00
TCG48B31S	YPLC100C20MP12C	21.0	CF/CM/CU48D	1450	46.0	32.8	16.00	13.25
TCG48B31S	YPLC100C20MP12C	21.0	CF/CM/CU60C	1400	46.0	32.8	16.00	13.25
TCG48B31S	YPLC100C20MP12C	21.0	CF/CM64D	1425	47.0	33.4	16.25	13.25
TCG48B31S	YPLC100C20MP13C	21.0	CF/CM/CU48C	1425	45.5	34.7	15.75	13.00
TCG48B31S	YPLC100C20MP13C	21.0	CF/CM/CU60C	1325	45.0	33.1	16.00	13.25
TCG48B31S	YPLC100C20MP13C	21.0	CF/CM64D	1425	46.5	35.0	16.25	13.25
TCG48B31S	YPLC120C20MP12C	21.0	CF/CM/CU48C	1325	45.0	31.0	15.75	13.00
TCG48B31S	YPLC120C20MP12C	21.0	CF/CM/CU48D	1450	46.0	32.8	16.00	13.25
TCG48B31S	YPLC120C20MP12C	21.0	CF/CM/CU60C	1400	46.0	32.8	16.00	13.25
TCG48B31S	YPLC120C20MP12C	21.0	CF/CM64D	1425	47.0	33.4	16.25	13.25
TCG48B31S	YPLC120C20MP13C	21.0	CF/CM/CU48C	1425	45.5	34.7	15.75	13.00
TCG48B31S	YPLC120C20MP13C	21.0	CF/CM/CU60C	1325	45.0	33.1	16.00	13.25
TCG48B31S	YPLC120C20MP13C	21.0	CF/CM64D	1425	46.5	35.0	16.25	13.25
TCG48B41S	TL8E080C16UH11	21.0	CF/CM/CU48C	1400	45.0	34.2	15.75	12.75
TCG48B41S	TL8E080C16UH11	21.0	CF/CM/CU48D	1400	45.0	34.2	15.75	13.00
TCG48B41S	TL8E080C16UH11	21.0	CF/CM/CU60C	1375	45.5	33.9	15.50	12.75
TCG48B41S	TL8E080C16UH11	21.0	CF/CM/CU60D	1400	46.5	35.0	15.75	13.00
TCG48B41S	TL8E080C16UH11	21.0	CF/CM64D	1400	47.0	35.2	16.00	13.25
TCG48B41S	TL8E100C20UH11	21.0	CF/CM/CU48C	1400	45.5	34.6	16.00	13.25
TCG48B41S	TL8E100C20UH11	21.0	CF/CM/CU48D	1425	45.5	34.7	16.00	13.25
TCG48B41S	TL8E100C20UH11	21.0	CF/CM/CU60C	1400	45.5	34.1	16.00	13.25
TCG48B41S	TL8E100C20UH11	21.0	CF/CM/CU60D	1425	46.5	35.5	16.25	13.50
TCG48B41S	TL8E100C20UH11	21.0	CF/CM64D	1400	47.0	35.1	16.50	13.50
TCG48B41S	TL9E080C16UH11	21.0	CF/CM/CU48C	1400	45.0	34.2	15.25	12.50
TCG48B41S	TL9E080C16UH11	21.0	CF/CM/CU48D	1400	45.0	34.2	15.50	12.75
TCG48B41S	TL9E080C16UH11	21.0	CF/CM/CU60C	1400	45.5	34.2	15.25	12.50
TCG48B41S	TL9E080C16UH11	21.0	CF/CM/CU60D	1425	46.0	35.1	15.50	12.75
TCG48B41S	TL9E080C16UH11	21.0	CF/CM64D	1400	46.5	34.7	15.75	13.00
TCG48B41S	TL9E100C20UH11	21.0	CF/CM/CU48C	1400	45.5	34.6	16.00	13.00
TCG48B41S	TL9E100C20UH11	21.0	CF/CM/CU48D	1425	45.5	34.7	16.00	13.25
TCG48B41S	TL9E100C20UH11	21.0	CF/CM/CU60C	1400	45.5	34.1	15.75	13.00
TCG48B41S	TL9E100C20UH11	21.0	CF/CM/CU60D	1425	46.5	35.6	16.00	13.25
TCG48B41S	TL9E100C20UH11	21.0	CF/CM64D	1400	47.0	35.1	16.25	13.50
TCG48B41S	TM8E080B12MP11	17.5	CF/CM/CU48C	1325	44.5	33.0	15.00	12.50
TCG48B41S	TM8E080B12MP11	17.5	CF/CM/CU60C	1325	45.0	33.1	14.75	12.25
TCG48B41S	TM8E080C16MP11	21.0	CF/CM/CU48C	1575	44.0	33.5	14.50	12.25
TCG48B41S	TM8E080C16MP11	21.0	CF/CM/CU48D	1600	44.5	34.1	14.50	12.25
TCG48B41S	TM8E080C16MP11	21.0	CF/CM/CU60C	1575	46.0	35.9	15.00	12.50
TCG48B41S	TM8E080C16MP11	21.0	CF/CM/CU60D	1600	46.0	36.2	15.00	12.50
TCG48B41S	TM8E080C16MP11	21.0	CF/CM64D	1575	47.5	37.4	15.50	12.75

COOLING CAPACITY - With High Efficiency Motor Furnaces¹ (Continued)

UNIT MODEL	FURNACE		COIL MODEL ²	COOLING				
	MODEL	WIDTH		RATED CFM	NET MBH		SEER	EER
					TOTAL	SENS.		
TCG48B41S	TM8E080C20MP11	21.0	CF/CM/CU48C	1450	45.5	34.9	16.00	13.25
TCG48B41S	TM8E080C20MP11	21.0	CF/CM/CU48D	1475	46.0	35.6	16.00	13.25
TCG48B41S	TM8E080C20MP11	21.0	CF/CM/CU60C	1450	46.0	34.9	15.75	13.00
TCG48B41S	TM8E080C20MP11	21.0	CF/CM/CU60D	1475	46.0	35.2	15.75	13.00
TCG48B41S	TM8E080C20MP11	21.0	CF/CM64D	1450	47.5	36.1	16.25	13.50
TCG48B41S	TM8E100C16MP11	21.0	CF/CM/CU48C	1300	45.0	33.3	15.75	13.00
TCG48B41S	TM8E100C16MP11	21.0	CF/CM/CU48D	1300	45.0	33.3	16.00	13.00
TCG48B41S	TM8E100C16MP11	21.0	CF/CM/CU60C	1575	46.0	35.9	15.00	12.50
TCG48B41S	TM8E100C16MP11	21.0	CF/CM/CU60D	1300	45.0	32.9	15.75	13.00
TCG48B41S	TM8E100C16MP11	21.0	CF/CM64D	1300	46.0	34.0	16.25	13.50
TCG48B41S	TM8E100C20MP11	21.0	CF/CM/CU48C	1425	45.5	34.7	15.75	13.00
TCG48B41S	TM8E100C20MP11	21.0	CF/CM/CU48D	1450	46.0	35.4	16.00	13.25
TCG48B41S	TM8E100C20MP11	21.0	CF/CM/CU60C	1425	45.5	34.2	16.00	13.00
TCG48B41S	TM8E100C20MP11	21.0	CF/CM/CU60D	1450	46.0	34.9	15.75	13.00
TCG48B41S	TM8E100C20MP11	21.0	CF/CM64D	1425	47.0	35.4	16.25	13.50
TCG48B41S	TM8E120C16MP11	21.0	CF/CM/CU48C	1300	45.0	33.3	16.00	13.00
TCG48B41S	TM8E120C16MP11	21.0	CF/CM/CU48D	1300	45.0	33.3	16.00	13.25
TCG48B41S	TM8E120C16MP11	21.0	CF/CM/CU60C	1300	45.0	32.9	15.75	13.00
TCG48B41S	TM8E120C16MP11	21.0	CF/CM/CU60D	1325	45.5	33.5	15.75	13.00
TCG48B41S	TM8E120C16MP11	21.0	CF/CM64D	1300	46.0	34.0	16.25	13.50
TCG48B41S	TM8E120C20MP11	21.0	CF/CM/CU48C	1425	45.5	34.7	16.00	13.25
TCG48B41S	TM8E120C20MP11	21.0	CF/CM/CU48D	1450	46.0	35.4	16.00	13.25
TCG48B41S	TM8E120C20MP11	21.0	CF/CM/CU60C	1425	46.0	34.7	16.00	13.25
TCG48B41S	TM8E120C20MP11	21.0	CF/CM/CU60D	1300	45.0	32.9	16.00	13.25
TCG48B41S	TM8E120C20MP11	21.0	CF/CM64D	1425	47.0	35.4	16.25	13.50
TCG48B41S	TM8E130D20MP11	24.5	CF/CM/CU48D	1425	45.5	34.7	16.00	13.25
TCG48B41S	TM8E130D20MP11	24.5	CF/CM/CU60D	1450	46.0	34.9	16.00	13.25
TCG48B41S	TM8E130D20MP11	24.5	CF/CM64D	1425	47.5	35.9	16.50	13.75
TCG48B41S	TM8V080C16MP11C	21.0	CF/CM/CU48C	1375	45.5	32.0	15.50	12.75
TCG48B41S	TM8V080C16MP11C	21.0	CF/CM/CU48D	1375	46.0	32.0	15.75	13.00
TCG48B41S	TM8V080C16MP11C	21.0	CF/CM/CU60C	1375	46.0	32.4	15.75	13.00
TCG48B41S	TM8V080C16MP11C	21.0	CF/CM/CU60D	1375	46.0	32.4	16.00	13.25
TCG48B41S	TM8V080C16MP11C	21.0	CF/CM64D	1325	46.0	31.8	15.75	13.25
TCG48B41S	TM8V080C16MP12C	21.0	CF/CM/CU48C	1425	45.0	34.3	15.75	13.00
TCG48B41S	TM8V080C16MP12C	21.0	CF/CM/CU60C	1425	45.5	34.7	16.00	13.25
TCG48B41S	TM8V080C16MP12C	21.0	CF/CM64D	1425	46.5	35.0	16.25	13.50
TCG48B41S	TM8V100C16MP11C	21.0	CF/CM/CU48C	1375	45.5	32.0	15.50	12.75
TCG48B41S	TM8V100C16MP11C	21.0	CF/CM/CU48D	1375	46.0	32.0	15.75	13.00
TCG48B41S	TM8V100C16MP11C	21.0	CF/CM/CU60C	1375	46.0	32.4	15.75	13.00
TCG48B41S	TM8V100C16MP11C	21.0	CF/CM/CU60D	1375	46.0	32.4	16.00	13.25
TCG48B41S	TM8V100C16MP11C	21.0	CF/CM64D	1325	46.0	31.8	15.75	13.25
TCG48B41S	TM8V100C16MP12C	21.0	CF/CM/CU48C	1425	45.0	34.3	15.75	13.00
TCG48B41S	TM8V100C16MP12C	21.0	CF/CM/CU60C	1425	45.5	34.7	16.00	13.25
TCG48B41S	TM8V100C16MP12C	21.0	CF/CM64D	1425	46.5	35.0	16.25	13.50
TCG48B41S	TM8V100C20MP11C	21.0	CF/CM/CU48C	1325	45.0	31.2	15.75	13.00
TCG48B41S	TM8V100C20MP11C	21.0	CF/CM/CU48D	1450	46.0	33.0	16.00	13.25
TCG48B41S	TM8V100C20MP11C	21.0	CF/CM/CU60C	1400	46.0	33.0	16.00	13.25
TCG48B41S	TM8V100C20MP11C	21.0	CF/CM64D	1425	47.0	33.6	16.25	13.25
TCG48B41S	TM8V100C20MP12C	21.0	CF/CM/CU48C	1425	45.0	34.2	15.75	13.00
TCG48B41S	TM8V100C20MP12C	21.0	CF/CM/CU60C	1325	45.0	33.1	16.00	13.25
TCG48B41S	TM8V100C20MP12C	21.0	CF/CM64D	1425	46.5	34.9	16.25	13.25
TCG48B41S	TM8V120C20MP11C	21.0	CF/CM/CU48C	1325	45.0	31.2	15.75	13.00
TCG48B41S	TM8V120C20MP11C	21.0	CF/CM/CU48D	1450	46.0	33.0	16.00	13.25

COOLING CAPACITY - With High Efficiency Motor Furnaces¹ (Continued)

UNIT MODEL	FURNACE		COIL MODEL ²	COOLING				
	MODEL	WIDTH		RATED CFM	NET MBH		SEER	EER
					TOTAL	SENS.		
TCG48B41S	TM8V120C20MP11C	21.0	CF/CM/CU60C	1400	46.0	33.0	16.00	13.25
TCG48B41S	TM8V120C20MP11C	21.0	CF/CM64D	1425	47.0	33.6	16.25	13.25
TCG48B41S	TM8V120C20MP12C	21.0	CF/CM/CU48C	1425	45.0	34.2	15.75	13.00
TCG48B41S	TM8V120C20MP12C	21.0	CF/CM/CU60C	1325	45.0	33.1	16.00	13.25
TCG48B41S	TM8V120C20MP12C	21.0	CF/CM64D	1425	46.5	34.9	16.25	13.25
TCG48B41S	TM8X080C16MP11	21.0	CF/CM/CU48C	1400	45.5	32.4	15.75	13.00
TCG48B41S	TM8X080C16MP11	21.0	CF/CM/CU48D	1425	45.5	32.6	15.75	13.00
TCG48B41S	TM8X080C16MP11	21.0	CF/CM/CU60C	1400	46.0	32.8	16.00	13.25
TCG48B41S	TM8X080C16MP11	21.0	CF/CM/CU60D	1425	46.0	33.2	16.25	13.25
TCG48B41S	TM8X080C16MP11	21.0	CF/CM64D	1400	46.5	33.2	16.25	13.50
TCG48B41S	TM8X100C16MP11	21.0	CF/CM/CU48C	1400	45.5	32.4	15.75	13.00
TCG48B41S	TM8X100C16MP11	21.0	CF/CM/CU48D	1425	45.5	32.6	15.75	13.00
TCG48B41S	TM8X100C16MP11	21.0	CF/CM/CU60C	1400	46.0	32.8	16.00	13.25
TCG48B41S	TM8X100C16MP11	21.0	CF/CM/CU60D	1425	46.0	33.2	16.25	13.25
TCG48B41S	TM8X100C16MP11	21.0	CF/CM64D	1400	46.5	33.2	16.25	13.50
TCG48B41S	TM8X100C20MP11	21.0	CF/CM/CU48C	1425	45.5	32.8	16.00	13.25
TCG48B41S	TM8X100C20MP11	21.0	CF/CM/CU48D	1300	45.0	31.2	16.25	13.50
TCG48B41S	TM8X100C20MP11	21.0	CF/CM/CU60C	1450	46.5	33.6	16.25	13.50
TCG48B41S	TM8X100C20MP11	21.0	CF/CM/CU60D	1475	46.5	34.0	16.50	13.50
TCG48B41S	TM8X100C20MP11	21.0	CF/CM64D	1450	47.5	34.0	16.50	13.75
TCG48B41S	TM8X120C20MP11	21.0	CF/CM/CU48C	1425	45.5	32.8	16.00	13.25
TCG48B41S	TM8X120C20MP11	21.0	CF/CM/CU48D	1300	45.0	31.2	16.25	13.50
TCG48B41S	TM8X120C20MP11	21.0	CF/CM/CU60C	1450	46.5	33.6	16.25	13.50
TCG48B41S	TM8X120C20MP11	21.0	CF/CM/CU60D	1475	46.5	34.0	16.50	13.50
TCG48B41S	TM8X120C20MP11	21.0	CF/CM64D	1450	47.5	34.0	16.50	13.75
TCG48B41S	TM8Y080C16MP11	21.0	CF/CM/CU48C	1400	45.5	32.4	15.75	13.00
TCG48B41S	TM8Y080C16MP11	21.0	CF/CM/CU48D	1425	45.5	32.6	15.75	13.00
TCG48B41S	TM8Y080C16MP11	21.0	CF/CM/CU60C	1400	46.0	32.8	16.00	13.25
TCG48B41S	TM8Y080C16MP11	21.0	CF/CM/CU60D	1425	46.0	33.2	16.25	13.25
TCG48B41S	TM8Y080C16MP11	21.0	CF/CM64D	1400	46.5	33.2	16.25	13.50
TCG48B41S	TM8Y100C16MP11	21.0	CF/CM/CU48C	1400	45.5	32.4	15.75	13.00
TCG48B41S	TM8Y100C16MP11	21.0	CF/CM/CU48D	1425	45.5	32.6	15.75	13.00
TCG48B41S	TM8Y100C16MP11	21.0	CF/CM/CU60C	1400	46.0	32.8	16.00	13.25
TCG48B41S	TM8Y100C16MP11	21.0	CF/CM/CU60D	1425	46.0	33.2	16.25	13.25
TCG48B41S	TM8Y100C16MP11	21.0	CF/CM64D	1400	46.5	33.2	16.25	13.50
TCG48B41S	TM8Y100C20MP11	21.0	CF/CM/CU48C	1425	45.5	32.8	16.00	13.25
TCG48B41S	TM8Y100C20MP11	21.0	CF/CM/CU48D	1300	45.0	31.2	16.25	13.50
TCG48B41S	TM8Y100C20MP11	21.0	CF/CM/CU60C	1450	46.5	33.6	16.25	13.50
TCG48B41S	TM8Y100C20MP11	21.0	CF/CM/CU60D	1475	46.5	34.0	16.50	13.50
TCG48B41S	TM8Y100C20MP11	21.0	CF/CM64D	1450	47.5	34.0	16.50	13.75
TCG48B41S	TM8Y120C20MP11	21.0	CF/CM/CU48C	1425	45.5	32.8	16.00	13.25
TCG48B41S	TM8Y120C20MP11	21.0	CF/CM/CU48D	1300	45.0	31.2	16.25	13.50
TCG48B41S	TM8Y120C20MP11	21.0	CF/CM/CU60C	1450	46.5	33.6	16.25	13.50
TCG48B41S	TM8Y120C20MP11	21.0	CF/CM/CU60D	1475	46.5	34.0	16.50	13.50
TCG48B41S	TM8Y120C20MP11	21.0	CF/CM64D	1450	47.5	34.0	16.50	13.75
TCG48B41S	TM9E080B12MP12	17.5	CF/CM/CU48C	1325	44.5	33.0	15.00	12.50
TCG48B41S	TM9E080B12MP12	17.5	CF/CM/CU60C	1325	45.0	33.1	14.75	12.25
TCG48B41S	TM9E080C16MP11	21.0	CF/CM/CU48C	1250	45.0	32.3	15.50	13.00
TCG48B41S	TM9E080C16MP11	21.0	CF/CM/CU48D	1250	45.0	32.3	15.75	13.00
TCG48B41S	TM9E080C16MP11	21.0	CF/CM/CU60C	1250	44.5	32.0	15.75	13.00
TCG48B41S	TM9E080C16MP11	21.0	CF/CM/CU60D	1250	45.5	32.9	16.00	13.25
TCG48B41S	TM9E080C16MP11	21.0	CF/CM64D	1250	46.0	33.1	16.25	13.25
TCG48B41S	TM9E080C20MP12	21.0	CF/CM/CU48C	1400	45.5	34.6	16.00	13.00

COOLING CAPACITY - With High Efficiency Motor Furnaces¹ (Continued)

UNIT MODEL	FURNACE		COIL MODEL ²	COOLING				
	MODEL	WIDTH		RATED CFM	NET MBH		SEER	EER
					TOTAL	SENS.		
TCG48B41S	TM9E080C20MP12	21.0	CF/CM/CU48D	1425	45.5	34.7	16.00	13.25
TCG48B41S	TM9E080C20MP12	21.0	CF/CM/CU60C	1400	45.5	34.1	15.75	13.00
TCG48B41S	TM9E080C20MP12	21.0	CF/CM/CU60D	1425	46.0	34.7	15.75	13.00
TCG48B41S	TM9E080C20MP12	21.0	CF/CM64D	1400	46.5	35.1	16.25	13.50
TCG48B41S	TM9E100C16MP11	21.0	CF/CM/CU48C	1325	45.0	31.0	15.50	13.00
TCG48B41S	TM9E100C16MP11	21.0	CF/CM/CU48D	1350	45.0	31.0	15.75	13.00
TCG48B41S	TM9E100C16MP11	21.0	CF/CM/CU60C	1325	45.5	31.4	15.75	13.00
TCG48B41S	TM9E100C16MP11	21.0	CF/CM/CU60D	1325	45.5	31.4	16.00	13.25
TCG48B41S	TM9E100C16MP11	21.0	CF/CM64D	1350	46.0	31.8	16.25	13.25
TCG48B41S	TM9E100C16MP12	21.0	CF/CM/CU60D	1600	46.0	36.3	14.50	12.25
TCG48B41S	TM9E100C20MP11	21.0	CF/CM/CU48C	1400	45.5	32.4	16.00	13.25
TCG48B41S	TM9E100C20MP11	21.0	CF/CM/CU48D	1425	45.5	32.8	16.00	13.25
TCG48B41S	TM9E100C20MP11	21.0	CF/CM/CU60C	1400	46.0	33.0	16.25	13.50
TCG48B41S	TM9E100C20MP11	21.0	CF/CM/CU60D	1450	46.5	33.6	16.25	13.50
TCG48B41S	TM9E100C20MP11	21.0	CF/CM64D	1400	47.0	33.2	16.50	13.50
TCG48B41S	TM9E100C20MP12	21.0	CF/CM/CU48C	1400	45.5	34.6	16.00	13.25
TCG48B41S	TM9E100C20MP12	21.0	CF/CM/CU48D	1425	45.5	34.7	16.00	13.25
TCG48B41S	TM9E100C20MP12	21.0	CF/CM/CU60C	1400	45.5	34.1	16.00	13.25
TCG48B41S	TM9E100C20MP12	21.0	CF/CM/CU60D	1425	46.0	34.7	16.00	13.25
TCG48B41S	TM9E100C20MP12	21.0	CF/CM64D	1400	46.5	35.1	16.50	13.50
TCG48B41S	TM9E120D20MP11	24.5	CF/CM/CU48D	1425	46.0	32.8	16.20	13.25
TCG48B41S	TM9E120D20MP11	24.5	CF/CM/CU60D	1425	46.5	33.2	16.50	13.50
TCG48B41S	TM9E120D20MP11	24.5	CF/CM64D	1400	47.0	33.2	16.50	13.75
TCG48B41S	TM9E120D20MP12	24.5	CF/CM/CU48D	1450	45.5	34.9	16.00	13.00
TCG48B41S	TM9E120D20MP12	24.5	CF/CM/CU60D	1450	46.0	35.0	15.75	13.00
TCG48B41S	TM9E120D20MP12	24.5	CF/CM64D	1450	47.0	35.7	16.25	13.50
TCG48B41S	TM9V080C16MP11C	21.0	CF/CM/CU48C	1350	45.5	31.0	15.50	12.75
TCG48B41S	TM9V080C16MP11C	21.0	CF/CM/CU48D	1425	46.0	32.8	16.25	13.25
TCG48B41S	TM9V080C16MP11C	21.0	CF/CM/CU60C	1350	45.5	31.6	16.00	13.25
TCG48B41S	TM9V080C16MP11C	21.0	CF/CM/CU60D	1375	46.0	32.4	16.00	13.25
TCG48B41S	TM9V080C16MP11C	21.0	CF/CM64D	1350	46.5	31.8	16.25	13.50
TCG48B41S	TM9V080C16MP12C	21.0	CF/CM/CU48C	1300	45.0	32.8	15.75	13.00
TCG48B41S	TM9V080C16MP12C	21.0	CF/CM/CU48D	1300	45.5	33.3	16.00	13.25
TCG48B41S	TM9V080C16MP12C	21.0	CF/CM/CU60C	1300	45.0	33.0	15.75	13.00
TCG48B41S	TM9V080C16MP12C	21.0	CF/CM/CU60D	1300	45.0	33.0	15.75	13.00
TCG48B41S	TM9V080C16MP12C	21.0	CF/CM64D	1300	46.5	34.1	16.25	13.50
TCG48B41S	TM9V100C16MP11C	21.0	CF/CM/CU48C	1350	45.5	31.0	15.50	12.75
TCG48B41S	TM9V100C16MP11C	21.0	CF/CM/CU48D	1425	46.0	32.8	16.25	13.25
TCG48B41S	TM9V100C16MP11C	21.0	CF/CM/CU60C	1350	45.5	31.6	16.00	13.25
TCG48B41S	TM9V100C16MP11C	21.0	CF/CM/CU60D	1375	46.0	32.4	16.00	13.25
TCG48B41S	TM9V100C16MP11C	21.0	CF/CM64D	1350	46.5	31.8	16.25	13.50
TCG48B41S	TM9V100C16MP12C	21.0	CF/CM/CU48C	1475	45.5	35.2	15.75	13.00
TCG48B41S	TM9V100C16MP12C	21.0	CF/CM/CU60C	1475	46.0	35.5	16.00	13.25
TCG48B41S	TM9V100C16MP12C	21.0	CF/CM64D	1475	47.0	36.5	16.25	13.50
TCG48B41S	TM9V100C20MP11C	21.0	CF/CM/CU48C	1350	45.5	31.0	15.25	12.75
TCG48B41S	TM9V100C20MP11C	21.0	CF/CM/CU48D	1325	45.5	31.0	15.50	12.75
TCG48B41S	TM9V100C20MP11C	21.0	CF/CM/CU60C	1325	45.5	31.4	15.75	13.00
TCG48B41S	TM9V100C20MP11C	21.0	CF/CM/CU60D	1350	45.5	31.4	15.75	13.00
TCG48B41S	TM9V100C20MP11C	21.0	CF/CM64D	1350	46.5	31.8	16.25	13.50
TCG48B41S	TM9V100C20MP12C	21.0	CF/CM/CU48C	1475	45.5	35.2	15.25	12.75
TCG48B41S	TM9V100C20MP12C	21.0	CF/CM/CU60C	1475	46.0	35.5	15.75	13.00
TCG48B41S	TM9V100C20MP12C	21.0	CF/CM64D	1475	47.0	36.5	16.25	13.50
TCG48B41S	TM9V120D20MP11C	24.5	CF/CM/CU48D	1350	45.5	31.2	16.00	13.00

COOLING CAPACITY - With High Efficiency Motor Furnaces¹ (Continued)

UNIT MODEL	FURNACE		COIL MODEL ²	COOLING				
	MODEL	WIDTH		RATED CFM	NET MBH		SEER	EER
					TOTAL	SENS.		
TCG48B41S	TM9V120D20MP11C	24.5	CF/CM/CU60D	1400	46.0	33.0	16.25	13.25
TCG48B41S	TM9V120D20MP11C	24.5	CF/CM64D	1475	47.5	34.2	16.25	13.25
TCG48B41S	TM9V120D20MP12C	24.5	CF/CM/CU48D	1400	45.0	34.0	16.20	13.25
TCG48B41S	TM9V120D20MP12C	24.5	CF/CM/CU60D	1400	45.5	34.2	16.50	13.50
TCG48B41S	TM9V120D20MP12C	24.5	CF/CM64D	1400	46.5	34.9	16.50	13.25
TCG48B41S	TM9Y080C16MP11	21.0	CF/CM/CU48C	1250	45.0	32.3	15.50	13.00
TCG48B41S	TM9Y080C16MP11	21.0	CF/CM/CU48D	1250	45.0	32.3	15.75	13.00
TCG48B41S	TM9Y080C16MP11	21.0	CF/CM/CU60C	1250	44.5	32.0	15.75	13.00
TCG48B41S	TM9Y080C16MP11	21.0	CF/CM/CU60D	1250	45.5	32.9	16.00	13.25
TCG48B41S	TM9Y080C16MP11	21.0	CF/CM64D	1250	46.0	33.1	16.25	13.25
TCG48B41S	TM9Y100C16MP11	21.0	CF/CM/CU48C	1325	45.0	31.0	15.50	13.00
TCG48B41S	TM9Y100C16MP11	21.0	CF/CM/CU48D	1350	45.0	31.0	15.75	13.00
TCG48B41S	TM9Y100C16MP11	21.0	CF/CM/CU60C	1325	45.5	31.4	15.75	13.00
TCG48B41S	TM9Y100C16MP11	21.0	CF/CM/CU60D	1325	45.5	31.4	16.00	13.25
TCG48B41S	TM9Y100C16MP11	21.0	CF/CM64D	1350	46.0	31.8	16.25	13.25
TCG48B41S	TM9Y100C20MP11	21.0	CF/CM/CU48C	1400	45.5	32.4	16.00	13.25
TCG48B41S	TM9Y100C20MP11	21.0	CF/CM/CU48D	1425	45.5	32.8	16.00	13.25
TCG48B41S	TM9Y100C20MP11	21.0	CF/CM/CU60C	1400	46.0	33.0	16.25	13.50
TCG48B41S	TM9Y100C20MP11	21.0	CF/CM/CU60D	1450	46.5	33.6	16.25	13.50
TCG48B41S	TM9Y100C20MP11	21.0	CF/CM64D	1400	47.0	33.2	16.50	13.50
TCG48B41S	TM9Y120D20MP11	24.5	CF/CM/CU48D	1425	46.0	32.8	16.20	13.25
TCG48B41S	TM9Y120D20MP11	24.5	CF/CM/CU60D	1425	46.5	33.2	16.50	13.50
TCG48B41S	TM9Y120D20MP11	24.5	CF/CM64D	1400	47.0	33.2	16.50	13.75
TCG48B41S	TMLE080B12MP11	17.5	CF/CM/CU48C	1325	44.5	33.0	15.00	12.50
TCG48B41S	TMLE080B12MP11	17.5	CF/CM/CU60C	1325	45.0	33.1	14.75	12.25
TCG48B41S	TMLE080C16MP11	21.0	CF/CM/CU48C	1575	44.0	33.5	14.50	12.25
TCG48B41S	TMLE080C16MP11	21.0	CF/CM/CU48D	1600	44.5	34.1	14.50	12.25
TCG48B41S	TMLE080C16MP11	21.0	CF/CM/CU60C	1575	46.0	35.9	15.00	12.50
TCG48B41S	TMLE080C16MP11	21.0	CF/CM/CU60D	1600	46.0	36.2	15.00	12.50
TCG48B41S	TMLE080C16MP11	21.0	CF/CM64D	1575	47.5	37.4	15.50	12.75
TCG48B41S	TMLE080C20MP11	21.0	CF/CM/CU48C	1450	45.5	34.9	16.00	13.25
TCG48B41S	TMLE080C20MP11	21.0	CF/CM/CU48D	1475	46.0	35.6	16.00	13.25
TCG48B41S	TMLE080C20MP11	21.0	CF/CM/CU60C	1450	46.0	34.9	15.75	13.00
TCG48B41S	TMLE080C20MP11	21.0	CF/CM/CU60D	1475	46.0	35.2	15.75	13.00
TCG48B41S	TMLE080C20MP11	21.0	CF/CM64D	1450	47.5	36.1	16.25	13.50
TCG48B41S	TMLE100C16MP11	21.0	CF/CM/CU48C	1300	45.0	33.3	15.75	13.00
TCG48B41S	TMLE100C16MP11	21.0	CF/CM/CU48D	1300	45.0	33.3	16.00	13.00
TCG48B41S	TMLE100C16MP11	21.0	CF/CM/CU60C	1575	46.0	35.9	15.00	12.50
TCG48B41S	TMLE100C16MP11	21.0	CF/CM/CU60D	1300	45.0	32.9	15.75	13.00
TCG48B41S	TMLE100C16MP11	21.0	CF/CM64D	1300	46.0	34.0	16.25	13.50
TCG48B41S	TMLE100C20MP11	21.0	CF/CM/CU48C	1425	45.5	34.7	15.75	13.00
TCG48B41S	TMLE100C20MP11	21.0	CF/CM/CU48D	1450	46.0	35.4	16.00	13.25
TCG48B41S	TMLE100C20MP11	21.0	CF/CM/CU60C	1425	45.5	34.2	16.00	13.00
TCG48B41S	TMLE100C20MP11	21.0	CF/CM/CU60D	1450	46.0	34.9	15.75	13.00
TCG48B41S	TMLE100C20MP11	21.0	CF/CM64D	1425	47.0	35.4	16.25	13.50
TCG48B41S	TMLE120C16MP11	21.0	CF/CM/CU48C	1300	45.0	33.3	16.00	13.00
TCG48B41S	TMLE120C16MP11	21.0	CF/CM/CU48D	1300	45.0	33.3	16.00	13.25
TCG48B41S	TMLE120C16MP11	21.0	CF/CM/CU60C	1300	45.0	32.9	15.75	13.00
TCG48B41S	TMLE120C16MP11	21.0	CF/CM/CU60D	1325	45.5	33.5	15.75	13.00
TCG48B41S	TMLE120C16MP11	21.0	CF/CM64D	1300	46.0	34.0	16.25	13.50
TCG48B41S	TMLE120C20MP11	21.0	CF/CM/CU48C	1425	45.5	34.7	16.00	13.25
TCG48B41S	TMLE120C20MP11	21.0	CF/CM/CU48D	1450	46.0	35.4	16.00	13.25
TCG48B41S	TMLE120C20MP11	21.0	CF/CM/CU60C	1425	46.0	34.7	16.00	13.25

COOLING CAPACITY - With High Efficiency Motor Furnaces¹ (Continued)

UNIT MODEL	FURNACE		COIL MODEL ²	COOLING				
	MODEL	WIDTH		RATED CFM	NET MBH		SEER	EER
					TOTAL	SENS.		
TCG48B41S	TMLE120C20MP11	21.0	CF/CM/CU60D	1300	45.0	32.9	16.00	13.25
TCG48B41S	TMLE120C20MP11	21.0	CF/CM64D	1425	47.0	35.4	16.25	13.50
TCG48B41S	TMLE130D20MP11	24.5	CF/CM/CU48D	1425	45.5	34.7	16.00	13.25
TCG48B41S	TMLE130D20MP11	24.5	CF/CM/CU60D	1450	46.0	34.9	16.00	13.25
TCG48B41S	TMLE130D20MP11	24.5	CF/CM64D	1425	47.5	35.9	16.50	13.75
TCG48B41S	TMLV080C16MP11C	21.0	CF/CM/CU48C	1375	45.5	32.0	15.50	12.75
TCG48B41S	TMLV080C16MP11C	21.0	CF/CM/CU48D	1375	46.0	32.0	15.75	13.00
TCG48B41S	TMLV080C16MP11C	21.0	CF/CM/CU60C	1375	46.0	32.4	15.75	13.00
TCG48B41S	TMLV080C16MP11C	21.0	CF/CM/CU60D	1375	46.0	32.4	16.00	13.25
TCG48B41S	TMLV080C16MP11C	21.0	CF/CM64D	1325	46.0	31.8	15.75	13.25
TCG48B41S	TMLV080C16MP12C	21.0	CF/CM/CU48C	1425	45.0	34.3	15.75	13.00
TCG48B41S	TMLV080C16MP12C	21.0	CF/CM/CU60C	1425	45.5	34.7	16.00	13.25
TCG48B41S	TMLV080C16MP12C	21.0	CF/CM64D	1425	46.5	35.0	16.25	13.50
TCG48B41S	TMLV100C16MP11C	21.0	CF/CM/CU48C	1375	45.5	32.0	15.50	12.75
TCG48B41S	TMLV100C16MP11C	21.0	CF/CM/CU48D	1375	46.0	32.0	15.75	13.00
TCG48B41S	TMLV100C16MP11C	21.0	CF/CM/CU60C	1375	46.0	32.4	15.75	13.00
TCG48B41S	TMLV100C16MP11C	21.0	CF/CM/CU60D	1375	46.0	32.4	16.00	13.25
TCG48B41S	TMLV100C16MP11C	21.0	CF/CM64D	1325	46.0	31.8	15.75	13.25
TCG48B41S	TMLV100C16MP12C	21.0	CF/CM/CU48C	1425	45.0	34.3	15.75	13.00
TCG48B41S	TMLV100C16MP12C	21.0	CF/CM/CU60C	1425	45.5	34.7	16.00	13.25
TCG48B41S	TMLV100C16MP12C	21.0	CF/CM64D	1425	46.5	35.0	16.25	13.50
TCG48B41S	TMLV100C20MP11C	21.0	CF/CM/CU48C	1325	45.0	31.2	15.75	13.00
TCG48B41S	TMLV100C20MP11C	21.0	CF/CM/CU48D	1450	46.0	33.0	16.00	13.25
TCG48B41S	TMLV100C20MP11C	21.0	CF/CM/CU60C	1400	46.0	33.0	16.00	13.25
TCG48B41S	TMLV100C20MP11C	21.0	CF/CM64D	1425	47.0	33.6	16.25	13.25
TCG48B41S	TMLV100C20MP12C	21.0	CF/CM/CU48C	1425	45.0	34.2	15.75	13.00
TCG48B41S	TMLV100C20MP12C	21.0	CF/CM/CU60C	1325	45.0	33.1	16.00	13.25
TCG48B41S	TMLV100C20MP12C	21.0	CF/CM64D	1425	46.5	34.9	16.25	13.25
TCG48B41S	TMLV120C20MP11C	21.0	CF/CM/CU48C	1325	45.0	31.2	15.75	13.00
TCG48B41S	TMLV120C20MP11C	21.0	CF/CM/CU48D	1450	46.0	33.0	16.00	13.25
TCG48B41S	TMLV120C20MP11C	21.0	CF/CM/CU60C	1400	46.0	33.0	16.00	13.25
TCG48B41S	TMLV120C20MP11C	21.0	CF/CM64D	1425	47.0	33.6	16.25	13.25
TCG48B41S	TMLV120C20MP12C	21.0	CF/CM/CU48C	1425	45.0	34.2	15.75	13.00
TCG48B41S	TMLV120C20MP12C	21.0	CF/CM/CU60C	1325	45.0	33.1	16.00	13.25
TCG48B41S	TMLV120C20MP12C	21.0	CF/CM64D	1425	46.5	34.9	16.25	13.25
TCG48B41S	TMLX080C16MP11	21.0	CF/CM/CU48C	1400	45.5	32.4	15.75	13.00
TCG48B41S	TMLX080C16MP11	21.0	CF/CM/CU48D	1425	45.5	32.6	15.75	13.00
TCG48B41S	TMLX080C16MP11	21.0	CF/CM/CU60C	1400	46.0	32.8	16.00	13.25
TCG48B41S	TMLX080C16MP11	21.0	CF/CM/CU60D	1425	46.0	33.2	16.25	13.25
TCG48B41S	TMLX080C16MP11	21.0	CF/CM64D	1400	46.5	33.2	16.25	13.50
TCG48B41S	TMLX100C16MP11	21.0	CF/CM/CU48C	1400	45.5	32.4	15.75	13.00
TCG48B41S	TMLX100C16MP11	21.0	CF/CM/CU48D	1425	45.5	32.6	15.75	13.00
TCG48B41S	TMLX100C16MP11	21.0	CF/CM/CU60C	1400	46.0	32.8	16.00	13.25
TCG48B41S	TMLX100C16MP11	21.0	CF/CM/CU60D	1425	46.0	33.2	16.25	13.25
TCG48B41S	TMLX100C16MP11	21.0	CF/CM64D	1400	46.5	33.2	16.25	13.50
TCG48B41S	TMLX100C20MP11	21.0	CF/CM/CU48C	1425	45.5	32.8	16.00	13.25
TCG48B41S	TMLX100C20MP11	21.0	CF/CM/CU48D	1300	45.0	31.2	16.25	13.50
TCG48B41S	TMLX100C20MP11	21.0	CF/CM/CU60C	1450	46.5	33.6	16.25	13.50
TCG48B41S	TMLX100C20MP11	21.0	CF/CM/CU60D	1475	46.5	34.0	16.50	13.50
TCG48B41S	TMLX100C20MP11	21.0	CF/CM64D	1450	47.5	34.0	16.50	13.75
TCG48B41S	TMLX120C20MP11	21.0	CF/CM/CU48C	1425	45.5	32.8	16.00	13.25
TCG48B41S	TMLX120C20MP11	21.0	CF/CM/CU48D	1300	45.0	31.2	16.25	13.50
TCG48B41S	TMLX120C20MP11	21.0	CF/CM/CU60C	1450	46.5	33.6	16.25	13.50

COOLING CAPACITY - With High Efficiency Motor Furnaces¹ (Continued)

UNIT MODEL	FURNACE		COIL MODEL ²	COOLING				
	MODEL	WIDTH		RATED CFM	NET MBH		SEER	EER
					TOTAL	SENS.		
TCG48B41S	TMLX120C20MP11	21.0	CF/CM/CU60D	1475	46.5	34.0	16.50	13.50
TCG48B41S	TMLX120C20MP11	21.0	CF/CM64D	1450	47.5	34.0	16.50	13.75
TCG48B41S	TP9C080C16MP12C	21.0	CF/CM/CU48C	1350	45.5	31.0	15.50	12.75
TCG48B41S	TP9C080C16MP12C	21.0	CF/CM/CU48D	1425	46.0	32.8	16.25	13.25
TCG48B41S	TP9C080C16MP12C	21.0	CF/CM/CU60C	1350	45.5	31.6	16.00	13.25
TCG48B41S	TP9C080C16MP12C	21.0	CF/CM/CU60D	1375	46.0	32.4	16.00	13.25
TCG48B41S	TP9C080C16MP12C	21.0	CF/CM64D	1350	46.5	31.8	16.25	13.50
TCG48B41S	TP9C080C16MP13C	21.0	CF/CM/CU48C	1300	45.0	32.8	15.75	13.00
TCG48B41S	TP9C080C16MP13C	21.0	CF/CM/CU48D	1300	45.5	33.3	16.00	13.25
TCG48B41S	TP9C080C16MP13C	21.0	CF/CM/CU60C	1300	45.0	33.0	15.75	13.00
TCG48B41S	TP9C080C16MP13C	21.0	CF/CM/CU60D	1300	45.0	33.0	15.75	13.00
TCG48B41S	TP9C080C16MP13C	21.0	CF/CM64D	1300	46.5	34.1	16.25	13.50
TCG48B41S	TP9C100C16MP12C	21.0	CF/CM/CU48C	1350	45.5	31.0	15.50	12.75
TCG48B41S	TP9C100C16MP12C	21.0	CF/CM/CU48D	1425	46.0	32.8	16.25	13.25
TCG48B41S	TP9C100C16MP12C	21.0	CF/CM/CU60C	1350	45.5	31.6	16.00	13.25
TCG48B41S	TP9C100C16MP12C	21.0	CF/CM/CU60D	1375	46.0	32.4	16.00	13.25
TCG48B41S	TP9C100C16MP12C	21.0	CF/CM64D	1350	46.5	31.8	16.25	13.50
TCG48B41S	TP9C100C16MP13C	21.0	CF/CM/CU48C	1475	45.5	35.2	15.75	13.00
TCG48B41S	TP9C100C16MP13C	21.0	CF/CM/CU60C	1475	46.0	35.5	16.00	13.25
TCG48B41S	TP9C100C16MP13C	21.0	CF/CM64D	1475	47.0	36.5	16.25	13.50
TCG48B41S	TP9C100C20MP12C	21.0	CF/CM/CU48C	1350	45.5	31.0	15.25	12.75
TCG48B41S	TP9C100C20MP12C	21.0	CF/CM/CU48D	1325	45.5	31.0	15.50	12.75
TCG48B41S	TP9C100C20MP12C	21.0	CF/CM/CU60C	1325	45.5	31.4	15.75	13.00
TCG48B41S	TP9C100C20MP12C	21.0	CF/CM/CU60D	1350	45.5	31.4	15.75	13.00
TCG48B41S	TP9C100C20MP12C	21.0	CF/CM64D	1350	46.5	31.8	16.25	13.50
TCG48B41S	TP9C100C20MP13C	21.0	CF/CM/CU48C	1475	45.5	35.2	15.25	12.75
TCG48B41S	TP9C100C20MP13C	21.0	CF/CM/CU60C	1475	46.0	35.5	15.75	13.00
TCG48B41S	TP9C100C20MP13C	21.0	CF/CM64D	1475	47.0	36.5	16.25	13.50
TCG48B41S	TP9C120D20MP12C	24.5	CF/CM/CU48D	1350	45.5	31.2	16.00	13.00
TCG48B41S	TP9C120D20MP12C	24.5	CF/CM/CU60D	1400	46.0	33.0	16.25	13.25
TCG48B41S	TP9C120D20MP12C	24.5	CF/CM64D	1475	47.5	34.2	16.25	13.25
TCG48B41S	TP9C120D20MP13C	24.5	CF/CM/CU48D	1400	45.0	34.0	16.20	13.25
TCG48B41S	TP9C120D20MP13C	24.5	CF/CM/CU60D	1400	45.5	34.2	16.50	13.50
TCG48B41S	TP9C120D20MP13C	24.5	CF/CM64D	1400	46.5	34.9	16.50	13.25
TCG48B41S	TPLC080C16MP12C	21.0	CF/CM/CU48C	1375	45.5	32.0	15.50	12.75
TCG48B41S	TPLC080C16MP12C	21.0	CF/CM/CU48D	1375	46.0	32.0	15.75	13.00
TCG48B41S	TPLC080C16MP12C	21.0	CF/CM/CU60C	1375	46.0	32.4	15.75	13.00
TCG48B41S	TPLC080C16MP12C	21.0	CF/CM/CU60D	1375	46.0	32.4	16.00	13.25
TCG48B41S	TPLC080C16MP12C	21.0	CF/CM64D	1325	46.0	31.8	15.75	13.25
TCG48B41S	TPLC080C16MP13C	21.0	CF/CM/CU48C	1425	45.0	34.3	15.75	13.00
TCG48B41S	TPLC080C16MP13C	21.0	CF/CM/CU60C	1425	45.5	34.7	16.00	13.25
TCG48B41S	TPLC080C16MP13C	21.0	CF/CM64D	1425	46.5	35.0	16.25	13.50
TCG48B41S	TPLC100C16MP12C	21.0	CF/CM/CU48C	1375	45.5	32.0	15.50	12.75
TCG48B41S	TPLC100C16MP12C	21.0	CF/CM/CU48D	1375	46.0	32.0	15.75	13.00
TCG48B41S	TPLC100C16MP12C	21.0	CF/CM/CU60C	1375	46.0	32.4	15.75	13.00
TCG48B41S	TPLC100C16MP12C	21.0	CF/CM/CU60D	1375	46.0	32.4	16.00	13.25
TCG48B41S	TPLC100C16MP12C	21.0	CF/CM64D	1325	46.0	31.8	15.75	13.25
TCG48B41S	TPLC100C16MP13C	21.0	CF/CM/CU48C	1425	45.0	34.3	15.75	13.00
TCG48B41S	TPLC100C16MP13C	21.0	CF/CM/CU60C	1425	45.5	34.7	16.00	13.25
TCG48B41S	TPLC100C16MP13C	21.0	CF/CM64D	1425	46.5	35.0	16.25	13.50
TCG48B41S	TPLC100C20MP12C	21.0	CF/CM/CU48C	1325	45.0	31.2	15.75	13.00
TCG48B41S	TPLC100C20MP12C	21.0	CF/CM/CU48D	1450	46.0	33.0	16.00	13.25
TCG48B41S	TPLC100C20MP12C	21.0	CF/CM/CU60C	1400	46.0	33.0	16.00	13.25

COOLING CAPACITY - With High Efficiency Motor Furnaces¹ (Continued)

UNIT MODEL	FURNACE		COIL MODEL ²	COOLING				
	MODEL	WIDTH		RATED CFM	NET MBH		SEER	EER
					TOTAL	SENS.		
TCG48B41S	TPLC100C20MP12C	21.0	CF/CM64D	1425	47.0	33.6	16.25	13.25
TCG48B41S	TPLC100C20MP13C	21.0	CF/CM/CU48C	1425	45.0	34.2	15.75	13.00
TCG48B41S	TPLC100C20MP13C	21.0	CF/CM/CU60C	1325	45.0	33.1	16.00	13.25
TCG48B41S	TPLC100C20MP13C	21.0	CF/CM64D	1425	46.5	34.9	16.25	13.25
TCG48B41S	TPLC120C20MP12C	21.0	CF/CM/CU48C	1325	45.0	31.2	15.75	13.00
TCG48B41S	TPLC120C20MP12C	21.0	CF/CM/CU48D	1450	46.0	33.0	16.00	13.25
TCG48B41S	TPLC120C20MP12C	21.0	CF/CM/CU60C	1400	46.0	33.0	16.00	13.25
TCG48B41S	TPLC120C20MP12C	21.0	CF/CM64D	1425	47.0	33.6	16.25	13.25
TCG48B41S	TPLC120C20MP13C	21.0	CF/CM/CU48C	1425	45.0	34.2	15.75	13.00
TCG48B41S	TPLC120C20MP13C	21.0	CF/CM/CU60C	1325	45.0	33.1	16.00	13.25
TCG48B41S	TPLC120C20MP13C	21.0	CF/CM64D	1425	46.5	34.9	16.25	13.25
TCG48B41S	YP9C080C16MP12C	21.0	CF/CM/CU48C	1350	45.5	31.0	15.50	12.75
TCG48B41S	YP9C080C16MP12C	21.0	CF/CM/CU48D	1425	46.0	32.8	16.25	13.25
TCG48B41S	YP9C080C16MP12C	21.0	CF/CM/CU60C	1350	45.5	31.6	16.00	13.25
TCG48B41S	YP9C080C16MP12C	21.0	CF/CM/CU60D	1375	46.0	32.4	16.00	13.25
TCG48B41S	YP9C080C16MP12C	21.0	CF/CM64D	1350	46.5	31.8	16.25	13.50
TCG48B41S	YP9C080C16MP13C	21.0	CF/CM/CU48C	1300	45.0	32.8	15.75	13.00
TCG48B41S	YP9C080C16MP13C	21.0	CF/CM/CU48D	1300	45.5	33.3	16.00	13.25
TCG48B41S	YP9C080C16MP13C	21.0	CF/CM/CU60C	1300	45.0	33.0	15.75	13.00
TCG48B41S	YP9C080C16MP13C	21.0	CF/CM/CU60D	1300	45.0	33.0	15.75	13.00
TCG48B41S	YP9C080C16MP13C	21.0	CF/CM64D	1300	46.5	34.1	16.25	13.50
TCG48B41S	YP9C100C16MP12C	21.0	CF/CM/CU48C	1350	45.5	31.0	15.50	12.75
TCG48B41S	YP9C100C16MP12C	21.0	CF/CM/CU48D	1425	46.0	32.8	16.25	13.25
TCG48B41S	YP9C100C16MP12C	21.0	CF/CM/CU60C	1350	45.5	31.6	16.00	13.25
TCG48B41S	YP9C100C16MP12C	21.0	CF/CM/CU60D	1375	46.0	32.4	16.00	13.25
TCG48B41S	YP9C100C16MP12C	21.0	CF/CM64D	1350	46.5	31.8	16.25	13.50
TCG48B41S	YP9C100C16MP13C	21.0	CF/CM/CU48C	1475	45.5	35.2	15.75	13.00
TCG48B41S	YP9C100C16MP13C	21.0	CF/CM/CU60C	1475	46.0	35.5	16.00	13.25
TCG48B41S	YP9C100C16MP13C	21.0	CF/CM64D	1475	47.0	36.5	16.25	13.50
TCG48B41S	YP9C100C20MP12C	21.0	CF/CM/CU48C	1350	45.5	31.0	15.25	12.75
TCG48B41S	YP9C100C20MP12C	21.0	CF/CM/CU48D	1325	45.5	31.0	15.50	12.75
TCG48B41S	YP9C100C20MP12C	21.0	CF/CM/CU60C	1325	45.5	31.4	15.75	13.00
TCG48B41S	YP9C100C20MP12C	21.0	CF/CM/CU60D	1350	45.5	31.4	15.75	13.00
TCG48B41S	YP9C100C20MP12C	21.0	CF/CM64D	1350	46.5	31.8	16.25	13.50
TCG48B41S	YP9C100C20MP13C	21.0	CF/CM/CU48C	1475	45.5	35.2	15.25	12.75
TCG48B41S	YP9C100C20MP13C	21.0	CF/CM/CU60C	1475	46.0	35.5	15.75	13.00
TCG48B41S	YP9C100C20MP13C	21.0	CF/CM64D	1475	47.0	36.5	16.25	13.50
TCG48B41S	YP9C120D20MP12C	24.5	CF/CM/CU48D	1350	45.5	31.2	16.00	13.00
TCG48B41S	YP9C120D20MP12C	24.5	CF/CM/CU60D	1400	46.0	33.0	16.25	13.25
TCG48B41S	YP9C120D20MP12C	24.5	CF/CM64D	1475	47.5	34.2	16.25	13.25
TCG48B41S	YP9C120D20MP13C	24.5	CF/CM/CU48D	1400	45.0	34.0	16.20	13.25
TCG48B41S	YP9C120D20MP13C	24.5	CF/CM/CU60D	1400	45.5	34.2	16.50	13.50
TCG48B41S	YP9C120D20MP13C	24.5	CF/CM64D	1400	46.5	34.9	16.50	13.25
TCG48B41S	YPLC080C16MP12C	21.0	CF/CM/CU48C	1375	45.5	32.0	15.50	12.75
TCG48B41S	YPLC080C16MP12C	21.0	CF/CM/CU48D	1375	46.0	32.0	15.75	13.00
TCG48B41S	YPLC080C16MP12C	21.0	CF/CM/CU60C	1375	46.0	32.4	15.75	13.00
TCG48B41S	YPLC080C16MP12C	21.0	CF/CM/CU60D	1375	46.0	32.4	16.00	13.25
TCG48B41S	YPLC080C16MP12C	21.0	CF/CM64D	1325	46.0	31.8	15.75	13.25
TCG48B41S	YPLC080C16MP13C	21.0	CF/CM/CU48C	1425	45.0	34.3	15.75	13.00
TCG48B41S	YPLC080C16MP13C	21.0	CF/CM/CU60C	1425	45.5	34.7	16.00	13.25
TCG48B41S	YPLC080C16MP13C	21.0	CF/CM64D	1425	46.5	35.0	16.25	13.50
TCG48B41S	YPLC100C16MP12C	21.0	CF/CM/CU48C	1375	45.5	32.0	15.50	12.75
TCG48B41S	YPLC100C16MP12C	21.0	CF/CM/CU48D	1375	46.0	32.0	15.75	13.00

COOLING CAPACITY - With High Efficiency Motor Furnaces¹ (Continued)

UNIT MODEL	FURNACE		COIL MODEL ²	COOLING				
	MODEL	WIDTH		RATED CFM	NET MBH		SEER	EER
					TOTAL	SENS.		
TCG48B41S	YPLC100C16MP12C	21.0	CF/CM/CU60C	1375	46.0	32.4	15.75	13.00
TCG48B41S	YPLC100C16MP12C	21.0	CF/CM/CU60D	1375	46.0	32.4	16.00	13.25
TCG48B41S	YPLC100C16MP12C	21.0	CF/CM64D	1325	46.0	31.8	15.75	13.25
TCG48B41S	YPLC100C16MP13C	21.0	CF/CM/CU48C	1425	45.0	34.3	15.75	13.00
TCG48B41S	YPLC100C16MP13C	21.0	CF/CM/CU60C	1425	45.5	34.7	16.00	13.25
TCG48B41S	YPLC100C16MP13C	21.0	CF/CM64D	1425	46.5	35.0	16.25	13.50
TCG48B41S	YPLC100C20MP12C	21.0	CF/CM/CU48C	1325	45.0	31.2	15.75	13.00
TCG48B41S	YPLC100C20MP12C	21.0	CF/CM/CU48D	1450	46.0	33.0	16.00	13.25
TCG48B41S	YPLC100C20MP12C	21.0	CF/CM/CU60C	1400	46.0	33.0	16.00	13.25
TCG48B41S	YPLC100C20MP12C	21.0	CF/CM64D	1425	47.0	33.6	16.25	13.25
TCG48B41S	YPLC100C20MP13C	21.0	CF/CM/CU48C	1425	45.0	34.2	15.75	13.00
TCG48B41S	YPLC100C20MP13C	21.0	CF/CM/CU60C	1325	45.0	33.1	16.00	13.25
TCG48B41S	YPLC100C20MP13C	21.0	CF/CM64D	1425	46.5	34.9	16.25	13.25
TCG48B41S	YPLC120C20MP12C	21.0	CF/CM/CU48C	1325	45.0	31.2	15.75	13.00
TCG48B41S	YPLC120C20MP12C	21.0	CF/CM/CU48D	1450	46.0	33.0	16.00	13.25
TCG48B41S	YPLC120C20MP12C	21.0	CF/CM/CU60C	1400	46.0	33.0	16.00	13.25
TCG48B41S	YPLC120C20MP12C	21.0	CF/CM64D	1425	47.0	33.6	16.25	13.25
TCG48B41S	YPLC120C20MP13C	21.0	CF/CM/CU48C	1425	45.0	34.2	15.75	13.00
TCG48B41S	YPLC120C20MP13C	21.0	CF/CM/CU60C	1325	45.0	33.1	16.00	13.25
TCG48B41S	YPLC120C20MP13C	21.0	CF/CM64D	1425	46.5	34.9	16.25	13.25
TCG60B31S	TL8E080C16UH11	21.0	CF/CM/CU60C	1550	54.5	39.4	14.25	11.75
TCG60B31S	TL8E080C16UH11	21.0	CF/CM/CU60D	1575	55.0	40.1	14.25	12.00
TCG60B31S	TL8E080C16UH11	21.0	CF/CM64D	1550	56.0	40.6	14.75	12.25
TCG60B31S	TL8E100C20UH11	21.0	CF/CM/CU60C	1600	55.0	40.4	14.50	12.25
TCG60B31S	TL8E100C20UH11	21.0	CF/CM/CU60D	1625	55.0	40.4	14.50	12.25
TCG60B31S	TL8E100C20UH11	21.0	CF/CM64D	1600	57.0	41.8	15.25	12.50
TCG60B31S	TL9E100C20UH11	21.0	CF/CM/CU60C	1600	55.0	40.4	14.50	12.00
TCG60B31S	TL9E100C20UH11	21.0	CF/CM/CU60D	1625	55.0	40.5	14.50	12.00
TCG60B31S	TL9E100C20UH11	21.0	CF/CM64D	1600	57.0	41.8	15.00	12.50
TCG60B31S	TM8E080C16MP11	21.0	CF/CM/CU60C	1575	54.5	39.6	14.25	12.00
TCG60B31S	TM8E080C16MP11	21.0	CF/CM/CU60D	1600	55.0	40.4	14.25	12.00
TCG60B31S	TM8E080C16MP11	21.0	CF/CM64D	1575	56.5	41.3	14.75	12.25
TCG60B31S	TM8E080C20MP11	21.0	CF/CM/CU60C	1550	55.0	39.8	14.50	12.25
TCG60B31S	TM8E080C20MP11	21.0	CF/CM/CU60D	1575	55.0	40.0	14.75	12.25
TCG60B31S	TM8E080C20MP11	21.0	CF/CM64D	1575	57.0	41.2	15.25	12.75
TCG60B31S	TM8E100C16MP11	21.0	CF/CM/CU60C	1575	54.5	39.6	14.25	12.00
TCG60B31S	TM8E100C16MP11	21.0	CF/CM/CU60D	1600	55.0	40.4	14.25	12.00
TCG60B31S	TM8E100C16MP11	21.0	CF/CM64D	1575	56.5	41.3	14.75	12.25
TCG60B31S	TM8E100C20MP11	21.0	CF/CM/CU60C	1725	55.5	41.7	14.00	11.75
TCG60B31S	TM8E100C20MP11	21.0	CF/CM/CU60D	1550	55.0	39.8	14.75	12.25
TCG60B31S	TM8E100C20MP11	21.0	CF/CM64D	1525	57.0	40.7	15.50	12.75
TCG60B31S	TM8E120C16MP11	21.0	CF/CM/CU60C	1575	55.0	40.1	14.25	12.00
TCG60B31S	TM8E120C16MP11	21.0	CF/CM/CU60D	1600	55.0	40.4	14.25	12.00
TCG60B31S	TM8E120C16MP11	21.0	CF/CM64D	1575	56.5	41.3	14.75	12.25
TCG60B31S	TM8E120C20MP11	21.0	CF/CM/CU60C	1750	55.5	41.9	14.25	12.00
TCG60B31S	TM8E120C20MP11	21.0	CF/CM/CU60D	1525	54.5	39.5	14.75	12.25
TCG60B31S	TM8E120C20MP11	21.0	CF/CM64D	1525	57.0	40.7	15.50	12.75
TCG60B31S	TM8E130D20MP11	24.5	CF/CM/CU60D	1650	55.5	41.1	14.50	12.25
TCG60B31S	TM8E130D20MP11	24.5	CF/CM64D	1625	57.0	42.2	15.25	12.75
TCG60B31S	TM8V080C16MP12C	21.0	CF/CM/CU60C	1700	56.5	41.9	14.25	12.20
TCG60B31S	TM8V080C16MP12C	21.0	CF/CM/CU60D	1700	56.5	41.8	14.50	12.25
TCG60B31S	TM8V100C16MP12C	21.0	CF/CM/CU60C	1700	56.5	41.9	14.25	12.20
TCG60B31S	TM8V100C16MP12C	21.0	CF/CM/CU60D	1700	56.5	41.8	14.50	12.25

COOLING CAPACITY - With High Efficiency Motor Furnaces¹ (Continued)

UNIT MODEL	FURNACE		COIL MODEL ²	COOLING				
	MODEL	WIDTH		RATED CFM	NET MBH		SEER	EER
					TOTAL	SENS.		
TCG60B31S	TM8V100C20MP11C	21.0	CF/CM/CU60D	1775	56.0	40.5	14.25	12.00
TCG60B31S	TM8V100C20MP12C	21.0	CF/CM/CU60C	1550	55.0	39.1	15.00	12.50
TCG60B31S	TM8V100C20MP12C	21.0	CF/CM/CU60D	1550	55.0	39.1	15.25	12.50
TCG60B31S	TM8V100C20MP12C	21.0	CF/CM64D	1550	56.0	39.5	15.25	12.75
TCG60B31S	TM8V120C20MP11C	21.0	CF/CM/CU60D	1775	56.0	40.5	14.25	12.00
TCG60B31S	TM8V120C20MP12C	21.0	CF/CM/CU60C	1550	55.0	39.1	15.00	12.50
TCG60B31S	TM8V120C20MP12C	21.0	CF/CM/CU60D	1550	55.0	39.1	15.25	12.50
TCG60B31S	TM8V120C20MP12C	21.0	CF/CM64D	1550	56.0	39.5	15.25	12.75
TCG60B31S	TM8X080C16MP11	21.0	CF/CM/CU60C	1525	54.5	38.5	14.50	12.25
TCG60B31S	TM8X080C16MP11	21.0	CF/CM/CU60D	1550	55.0	39.1	14.75	12.25
TCG60B31S	TM8X080C16MP11	21.0	CF/CM64D	1525	55.5	38.7	14.75	12.50
TCG60B31S	TM8X100C16MP11	21.0	CF/CM/CU60C	1525	54.5	38.5	14.50	12.25
TCG60B31S	TM8X100C16MP11	21.0	CF/CM/CU60D	1550	55.0	39.1	14.75	12.25
TCG60B31S	TM8X100C16MP11	21.0	CF/CM64D	1525	55.5	38.7	14.75	12.50
TCG60B31S	TM8X100C20MP11	21.0	CF/CM/CU60C	1625	56.0	39.0	15.00	12.25
TCG60B31S	TM8X100C20MP11	21.0	CF/CM/CU60D	1650	56.0	39.0	15.00	12.50
TCG60B31S	TM8X100C20MP11	21.0	CF/CM64D	1625	57.5	39.5	15.50	12.75
TCG60B31S	TM8X120C20MP11	21.0	CF/CM/CU60C	1625	56.0	39.0	15.00	12.25
TCG60B31S	TM8X120C20MP11	21.0	CF/CM/CU60D	1650	56.0	39.0	15.00	12.50
TCG60B31S	TM8X120C20MP11	21.0	CF/CM64D	1625	57.5	39.5	15.50	12.75
TCG60B31S	TM8Y080C16MP11	21.0	CF/CM/CU60C	1525	54.5	38.5	14.50	12.25
TCG60B31S	TM8Y080C16MP11	21.0	CF/CM/CU60D	1550	55.0	39.1	14.75	12.25
TCG60B31S	TM8Y080C16MP11	21.0	CF/CM64D	1525	55.5	38.7	14.75	12.50
TCG60B31S	TM8Y100C16MP11	21.0	CF/CM/CU60C	1525	54.5	38.5	14.50	12.25
TCG60B31S	TM8Y100C16MP11	21.0	CF/CM/CU60D	1550	55.0	39.1	14.75	12.25
TCG60B31S	TM8Y100C16MP11	21.0	CF/CM64D	1525	55.5	38.7	14.75	12.50
TCG60B31S	TM8Y100C20MP11	21.0	CF/CM/CU60C	1625	56.0	39.0	15.00	12.25
TCG60B31S	TM8Y100C20MP11	21.0	CF/CM/CU60D	1650	56.0	39.0	15.00	12.50
TCG60B31S	TM8Y100C20MP11	21.0	CF/CM64D	1625	57.5	39.5	15.50	12.75
TCG60B31S	TM8Y120C20MP11	21.0	CF/CM/CU60C	1625	56.0	39.0	15.00	12.25
TCG60B31S	TM8Y120C20MP11	21.0	CF/CM/CU60D	1650	56.0	39.0	15.00	12.50
TCG60B31S	TM8Y120C20MP11	21.0	CF/CM64D	1625	57.5	39.5	15.50	12.75
TCG60B31S	TM9E080C20MP12	21.0	CF/CM/CU60C	1725	55.5	41.7	14.00	11.75
TCG60B31S	TM9E080C20MP12	21.0	CF/CM/CU60D	1525	54.5	39.5	14.75	12.25
TCG60B31S	TM9E080C20MP12	21.0	CF/CM64D	1750	57.5	43.6	14.75	12.25
TCG60B31S	TM9E100C16MP12	21.0	CF/CM/CU60D	1600	54.5	40.0	14.00	11.75
TCG60B31S	TM9E100C20MP11	21.0	CF/CM/CU60C	1525	54.5	38.4	14.75	12.25
TCG60B31S	TM9E100C20MP11	21.0	CF/CM/CU60D	1625	56.0	39.0	14.75	12.25
TCG60B31S	TM9E100C20MP11	21.0	CF/CM64D	1600	57.0	39.5	15.00	12.50
TCG60B31S	TM9E100C20MP12	21.0	CF/CM/CU60C	1700	55.5	41.5	14.25	12.00
TCG60B31S	TM9E100C20MP12	21.0	CF/CM/CU60D	1550	55.0	39.8	14.75	12.25
TCG60B31S	TM9E100C20MP12	21.0	CF/CM64D	1525	57.0	40.7	15.50	12.75
TCG60B31S	TM9E120D20MP11	24.5	CF/CM/CU60D	1625	56.0	39.0	15.00	12.50
TCG60B31S	TM9E120D20MP11	24.5	CF/CM64D	1600	57.5	39.5	15.25	12.75
TCG60B31S	TM9E120D20MP12	24.5	CF/CM/CU60D	1625	55.0	40.5	14.50	12.00
TCG60B31S	TM9E120D20MP12	24.5	CF/CM64D	1600	57.0	41.9	15.00	12.50
TCG60B31S	TM9V080C16MP11C	21.0	CF/CM/CU60C	1650	56.0	39.0	14.50	12.00
TCG60B31S	TM9V080C16MP11C	21.0	CF/CM/CU60D	1525	54.5	39.1	14.25	12.00
TCG60B31S	TM9V080C16MP12C	21.0	CF/CM/CU60D	1525	54.5	39.1	14.25	12.00
TCG60B31S	TM9V100C16MP11C	21.0	CF/CM/CU60C	1650	56.0	39.0	14.50	12.00
TCG60B31S	TM9V100C16MP12C	21.0	CF/CM/CU60C	1600	55.5	40.1	14.50	12.25
TCG60B31S	TM9V100C16MP12C	21.0	CF/CM/CU60D	1600	55.5	40.0	14.75	12.50
TCG60B31S	TM9V100C16MP12C	21.0	CF/CM64D	1600	56.5	40.3	15.00	12.50

COOLING CAPACITY - With High Efficiency Motor Furnaces¹ (Continued)

UNIT MODEL	FURNACE		COIL MODEL ²	COOLING				
	MODEL	WIDTH		RATED CFM	NET MBH		SEER	EER
					TOTAL	SENS.		
TCG60B31S	TM9V100C20MP11C	21.0	CF/CM64D	1500	56.5	38.0	15.00	12.50
TCG60B31S	TM9V100C20MP12C	21.0	CF/CM/CU60C	1600	55.5	40.1	14.75	12.25
TCG60B31S	TM9V100C20MP12C	21.0	CF/CM64D	1600	56.5	40.3	15.00	12.50
TCG60B31S	TM9V120D20MP11C	24.5	CF/CM/CU60D	1675	56.0	39.0	14.75	12.25
TCG60B31S	TM9V120D20MP11C	24.5	CF/CM64D	1675	57.5	39.5	14.75	12.50
TCG60B31S	TM9V120D20MP12C	24.5	CF/CM/CU60D	1575	55.5	39.7	15.25	12.75
TCG60B31S	TM9V120D20MP12C	24.5	CF/CM64D	1575	56.5	40.1	15.50	12.75
TCG60B31S	TM9Y100C20MP11	21.0	CF/CM/CU60C	1525	54.5	38.4	14.75	12.25
TCG60B31S	TM9Y100C20MP11	21.0	CF/CM/CU60D	1625	56.0	39.0	14.75	12.25
TCG60B31S	TM9Y100C20MP11	21.0	CF/CM64D	1600	57.0	39.5	15.00	12.50
TCG60B31S	TM9Y120D20MP11	24.5	CF/CM/CU60D	1625	56.0	39.0	15.00	12.50
TCG60B31S	TM9Y120D20MP11	24.5	CF/CM64D	1600	57.5	39.5	15.25	12.75
TCG60B31S	TMLE080C16MP11	21.0	CF/CM/CU60C	1575	54.5	39.6	14.25	12.00
TCG60B31S	TMLE080C16MP11	21.0	CF/CM/CU60D	1600	55.0	40.4	14.25	12.00
TCG60B31S	TMLE080C16MP11	21.0	CF/CM64D	1575	56.5	41.3	14.75	12.25
TCG60B31S	TMLE080C20MP11	21.0	CF/CM/CU60C	1550	55.0	39.8	14.50	12.25
TCG60B31S	TMLE080C20MP11	21.0	CF/CM/CU60D	1575	55.0	40.0	14.75	12.25
TCG60B31S	TMLE080C20MP11	21.0	CF/CM64D	1575	57.0	41.2	15.25	12.75
TCG60B31S	TMLE100C16MP11	21.0	CF/CM/CU60C	1575	54.5	39.6	14.25	12.00
TCG60B31S	TMLE100C16MP11	21.0	CF/CM/CU60D	1600	55.0	40.4	14.25	12.00
TCG60B31S	TMLE100C16MP11	21.0	CF/CM64D	1575	56.5	41.3	14.75	12.25
TCG60B31S	TMLE100C20MP11	21.0	CF/CM/CU60C	1725	55.5	41.7	14.00	11.75
TCG60B31S	TMLE100C20MP11	21.0	CF/CM/CU60D	1550	55.0	39.8	14.75	12.25
TCG60B31S	TMLE100C20MP11	21.0	CF/CM64D	1525	57.0	40.7	15.50	12.75
TCG60B31S	TMLE120C16MP11	21.0	CF/CM/CU60C	1575	55.0	40.1	14.25	12.00
TCG60B31S	TMLE120C16MP11	21.0	CF/CM/CU60D	1600	55.0	40.4	14.25	12.00
TCG60B31S	TMLE120C16MP11	21.0	CF/CM64D	1575	56.5	41.3	14.75	12.25
TCG60B31S	TMLE120C20MP11	21.0	CF/CM/CU60C	1750	55.5	41.9	14.25	12.00
TCG60B31S	TMLE120C20MP11	21.0	CF/CM/CU60D	1525	54.5	39.5	14.75	12.25
TCG60B31S	TMLE120C20MP11	21.0	CF/CM64D	1525	57.0	40.7	15.50	12.75
TCG60B31S	TMLE130D20MP11	24.5	CF/CM/CU60D	1650	55.5	41.1	14.50	12.25
TCG60B31S	TMLE130D20MP11	24.5	CF/CM64D	1625	57.0	42.2	15.25	12.75
TCG60B31S	TMLV080C16MP12C	21.0	CF/CM/CU60C	1700	56.5	41.9	14.25	12.20
TCG60B31S	TMLV080C16MP12C	21.0	CF/CM/CU60D	1700	56.5	41.8	14.50	12.25
TCG60B31S	TMLV100C16MP12C	21.0	CF/CM/CU60C	1700	56.5	41.9	14.25	12.20
TCG60B31S	TMLV100C16MP12C	21.0	CF/CM/CU60D	1700	56.5	41.8	14.50	12.25
TCG60B31S	TMLV100C20MP11C	21.0	CF/CM/CU60D	1775	56.0	40.5	14.25	12.00
TCG60B31S	TMLV100C20MP12C	21.0	CF/CM/CU60C	1550	55.0	39.1	15.00	12.50
TCG60B31S	TMLV100C20MP12C	21.0	CF/CM/CU60D	1550	55.0	39.1	15.25	12.50
TCG60B31S	TMLV100C20MP12C	21.0	CF/CM64D	1550	56.0	39.5	15.25	12.75
TCG60B31S	TMLV120C20MP11C	21.0	CF/CM/CU60D	1775	56.0	40.5	14.25	12.00
TCG60B31S	TMLV120C20MP12C	21.0	CF/CM/CU60C	1550	55.0	39.1	15.00	12.50
TCG60B31S	TMLV120C20MP12C	21.0	CF/CM/CU60D	1550	55.0	39.1	15.25	12.50
TCG60B31S	TMLV120C20MP12C	21.0	CF/CM64D	1550	56.0	39.5	15.25	12.75
TCG60B31S	TMLX080C16MP11	21.0	CF/CM/CU60C	1525	54.5	38.5	14.50	12.25
TCG60B31S	TMLX080C16MP11	21.0	CF/CM/CU60D	1550	55.0	39.1	14.75	12.25
TCG60B31S	TMLX080C16MP11	21.0	CF/CM64D	1525	55.5	38.7	14.75	12.50
TCG60B31S	TMLX100C16MP11	21.0	CF/CM/CU60C	1525	54.5	38.5	14.50	12.25
TCG60B31S	TMLX100C16MP11	21.0	CF/CM/CU60D	1550	55.0	39.1	14.75	12.25
TCG60B31S	TMLX100C16MP11	21.0	CF/CM64D	1525	55.5	38.7	14.75	12.50
TCG60B31S	TMLX100C20MP11	21.0	CF/CM/CU60C	1625	56.0	39.0	15.00	12.25
TCG60B31S	TMLX100C20MP11	21.0	CF/CM/CU60D	1650	56.0	39.0	15.00	12.50
TCG60B31S	TMLX100C20MP11	21.0	CF/CM64D	1625	57.5	39.5	15.50	12.75

COOLING CAPACITY - With High Efficiency Motor Furnaces¹ (Continued)

UNIT MODEL	FURNACE		COIL MODEL ²	COOLING				
	MODEL	WIDTH		RATED CFM	NET MBH		SEER	EER
					TOTAL	SENS.		
TCG60B31S	TMLX120C20MP11	21.0	CF/CM/CU60C	1625	56.0	39.0	15.00	12.25
TCG60B31S	TMLX120C20MP11	21.0	CF/CM/CU60D	1650	56.0	39.0	15.00	12.50
TCG60B31S	TMLX120C20MP11	21.0	CF/CM64D	1625	57.5	39.5	15.50	12.75
TCG60B31S	TP9C080C16MP12C	21.0	CF/CM/CU60C	1650	56.0	39.0	14.50	12.00
TCG60B31S	TP9C080C16MP13C	21.0	CF/CM/CU60D	1525	54.5	39.1	14.25	12.00
TCG60B31S	TP9C100C16MP12C	21.0	CF/CM/CU60C	1650	56.0	39.0	14.50	12.00
TCG60B31S	TP9C100C16MP13C	21.0	CF/CM/CU60C	1600	55.5	40.1	14.50	12.25
TCG60B31S	TP9C100C16MP13C	21.0	CF/CM/CU60D	1600	55.5	40.0	14.75	12.50
TCG60B31S	TP9C100C16MP13C	21.0	CF/CM64D	1600	56.5	40.3	15.00	12.50
TCG60B31S	TP9C100C20MP12C	21.0	CF/CM64D	1500	56.5	38.0	15.00	12.50
TCG60B31S	TP9C100C20MP13C	21.0	CF/CM/CU60C	1600	55.5	40.1	14.75	12.25
TCG60B31S	TP9C100C20MP13C	21.0	CF/CM64D	1600	56.5	40.3	15.00	12.50
TCG60B31S	TP9C120D20MP12C	24.5	CF/CM/CU60D	1675	56.0	39.0	14.75	12.25
TCG60B31S	TP9C120D20MP12C	24.5	CF/CM64D	1675	57.5	39.5	14.75	12.50
TCG60B31S	TP9C120D20MP13C	24.5	CF/CM/CU60D	1575	55.5	39.7	15.25	12.75
TCG60B31S	TP9C120D20MP13C	24.5	CF/CM64D	1575	56.5	40.1	15.50	12.75
TCG60B31S	TPLC080C16MP13C	21.0	CF/CM/CU60C	1700	56.5	41.9	14.25	12.20
TCG60B31S	TPLC080C16MP13C	21.0	CF/CM/CU60D	1700	56.5	41.8	14.50	12.25
TCG60B31S	TPLC100C16MP13C	21.0	CF/CM/CU60C	1700	56.5	41.9	14.25	12.20
TCG60B31S	TPLC100C16MP13C	21.0	CF/CM/CU60D	1700	56.5	41.8	14.50	12.25
TCG60B31S	TPLC100C20MP12C	21.0	CF/CM/CU60D	1775	56.0	40.5	14.25	12.00
TCG60B31S	TPLC100C20MP13C	21.0	CF/CM/CU60C	1550	55.0	39.1	15.00	12.50
TCG60B31S	TPLC100C20MP13C	21.0	CF/CM/CU60D	1550	55.0	39.1	15.25	12.50
TCG60B31S	TPLC100C20MP13C	21.0	CF/CM64D	1550	56.0	39.5	15.25	12.75
TCG60B31S	TPLC120C20MP12C	21.0	CF/CM/CU60D	1775	56.0	40.5	14.25	12.00
TCG60B31S	TPLC120C20MP13C	21.0	CF/CM/CU60C	1550	55.0	39.1	15.00	12.50
TCG60B31S	TPLC120C20MP13C	21.0	CF/CM/CU60D	1550	55.0	39.1	15.25	12.50
TCG60B31S	TPLC120C20MP13C	21.0	CF/CM64D	1550	56.0	39.5	15.25	12.75
TCG60B31S	YP9C080C16MP12C	21.0	CF/CM/CU60C	1650	56.0	39.0	14.50	12.00
TCG60B31S	YP9C080C16MP13C	21.0	CF/CM/CU60D	1525	54.5	39.1	14.25	12.00
TCG60B31S	YP9C100C16MP12C	21.0	CF/CM/CU60C	1650	56.0	39.0	14.50	12.00
TCG60B31S	YP9C100C16MP13C	21.0	CF/CM/CU60C	1600	55.5	40.1	14.50	12.25
TCG60B31S	YP9C100C16MP13C	21.0	CF/CM/CU60D	1600	55.5	40.0	14.75	12.50
TCG60B31S	YP9C100C16MP13C	21.0	CF/CM64D	1600	56.5	40.3	15.00	12.50
TCG60B31S	YP9C100C20MP12C	21.0	CF/CM64D	1500	56.5	38.0	15.00	12.50
TCG60B31S	YP9C100C20MP13C	21.0	CF/CM/CU60C	1600	55.5	40.1	14.75	12.25
TCG60B31S	YP9C100C20MP13C	21.0	CF/CM64D	1600	56.5	40.3	15.00	12.50
TCG60B31S	YP9C120D20MP12C	24.5	CF/CM/CU60D	1675	56.0	39.0	14.75	12.25
TCG60B31S	YP9C120D20MP12C	24.5	CF/CM64D	1675	57.5	39.5	14.75	12.50
TCG60B31S	YP9C120D20MP13C	24.5	CF/CM/CU60D	1575	55.5	39.7	15.25	12.75
TCG60B31S	YP9C120D20MP13C	24.5	CF/CM64D	1575	56.5	40.1	15.50	12.75
TCG60B31S	YPLC080C16MP13C	21.0	CF/CM/CU60C	1700	56.5	41.9	14.25	12.20
TCG60B31S	YPLC080C16MP13C	21.0	CF/CM/CU60D	1700	56.5	41.8	14.50	12.25
TCG60B31S	YPLC100C16MP13C	21.0	CF/CM/CU60C	1700	56.5	41.9	14.25	12.20
TCG60B31S	YPLC100C16MP13C	21.0	CF/CM/CU60D	1700	56.5	41.8	14.50	12.25
TCG60B31S	YPLC100C20MP12C	21.0	CF/CM/CU60D	1775	56.0	40.5	14.25	12.00
TCG60B31S	YPLC100C20MP13C	21.0	CF/CM/CU60C	1550	55.0	39.1	15.00	12.50
TCG60B31S	YPLC100C20MP13C	21.0	CF/CM/CU60D	1550	55.0	39.1	15.25	12.50
TCG60B31S	YPLC100C20MP13C	21.0	CF/CM64D	1550	56.0	39.5	15.25	12.75
TCG60B31S	YPLC120C20MP12C	21.0	CF/CM/CU60D	1775	56.0	40.5	14.25	12.00
TCG60B31S	YPLC120C20MP13C	21.0	CF/CM/CU60C	1550	55.0	39.1	15.00	12.50
TCG60B31S	YPLC120C20MP13C	21.0	CF/CM/CU60D	1550	55.0	39.1	15.25	12.50
TCG60B31S	YPLC120C20MP13C	21.0	CF/CM64D	1550	56.0	39.5	15.25	12.75

COOLING CAPACITY - With High Efficiency Motor Furnaces¹ (Continued)

UNIT MODEL	FURNACE		COIL MODEL ²	COOLING				
	MODEL	WIDTH		RATED CFM	NET MBH		SEER	EER
					TOTAL	SENS.		
TCG60B41S	TL8E080C16UH11	21.0	CF/CM/CU60C	1550	54.5	39.4	14.25	11.75
TCG60B41S	TL8E080C16UH11	21.0	CF/CM/CU60D	1575	55.0	40.1	14.25	12.00
TCG60B41S	TL8E080C16UH11	21.0	CF/CM64D	1550	56.0	40.6	14.75	12.25
TCG60B41S	TL8E100C20UH11	21.0	CF/CM/CU60C	1600	55.0	40.4	14.50	12.25
TCG60B41S	TL8E100C20UH11	21.0	CF/CM/CU60D	1625	55.0	40.4	14.50	12.25
TCG60B41S	TL8E100C20UH11	21.0	CF/CM64D	1600	57.0	41.8	15.25	12.50
TCG60B41S	TL9E100C20UH11	21.0	CF/CM/CU60C	1600	55.0	40.4	14.50	12.00
TCG60B41S	TL9E100C20UH11	21.0	CF/CM/CU60D	1625	55.0	40.5	14.50	12.00
TCG60B41S	TL9E100C20UH11	21.0	CF/CM64D	1600	57.0	41.8	15.00	12.50
TCG60B41S	TM8E080C16MP11	21.0	CF/CM/CU60C	1575	54.5	39.6	14.25	12.00
TCG60B41S	TM8E080C16MP11	21.0	CF/CM/CU60D	1600	55.0	40.4	14.25	12.00
TCG60B41S	TM8E080C16MP11	21.0	CF/CM64D	1575	56.5	41.3	14.75	12.25
TCG60B41S	TM8E080C20MP11	21.0	CF/CM/CU60C	1550	55.0	39.8	14.50	12.25
TCG60B41S	TM8E080C20MP11	21.0	CF/CM/CU60D	1575	55.0	40.0	14.75	12.25
TCG60B41S	TM8E080C20MP11	21.0	CF/CM64D	1575	57.0	41.2	15.25	12.75
TCG60B41S	TM8E100C16MP11	21.0	CF/CM/CU60C	1575	54.5	39.6	14.25	12.00
TCG60B41S	TM8E100C16MP11	21.0	CF/CM/CU60D	1600	55.0	40.4	14.25	12.00
TCG60B41S	TM8E100C16MP11	21.0	CF/CM64D	1575	56.5	41.3	14.75	12.25
TCG60B41S	TM8E100C20MP11	21.0	CF/CM/CU60C	1725	55.5	41.7	14.00	11.75
TCG60B41S	TM8E100C20MP11	21.0	CF/CM/CU60D	1550	55.0	39.8	14.75	12.25
TCG60B41S	TM8E100C20MP11	21.0	CF/CM64D	1525	57.0	40.7	15.50	12.75
TCG60B41S	TM8E120C16MP11	21.0	CF/CM/CU60C	1575	55.0	40.1	14.25	12.00
TCG60B41S	TM8E120C16MP11	21.0	CF/CM/CU60D	1600	55.0	40.4	14.25	12.00
TCG60B41S	TM8E120C16MP11	21.0	CF/CM64D	1575	56.5	41.3	14.75	12.25
TCG60B41S	TM8E120C20MP11	21.0	CF/CM/CU60C	1750	55.5	41.9	14.25	12.00
TCG60B41S	TM8E120C20MP11	21.0	CF/CM/CU60D	1525	54.5	39.5	14.75	12.25
TCG60B41S	TM8E120C20MP11	21.0	CF/CM64D	1525	57.0	40.7	15.50	12.75
TCG60B41S	TM8E130D20MP11	24.5	CF/CM/CU60D	1650	55.5	41.1	14.50	12.25
TCG60B41S	TM8E130D20MP11	24.5	CF/CM64D	1625	57.0	42.2	15.25	12.75
TCG60B41S	TM8V080C16MP12C	21.0	CF/CM/CU60C	1700	56.5	41.9	14.25	12.20
TCG60B41S	TM8V080C16MP12C	21.0	CF/CM/CU60D	1700	56.5	41.8	14.50	12.25
TCG60B41S	TM8V100C16MP12C	21.0	CF/CM/CU60C	1700	56.5	41.9	14.25	12.20
TCG60B41S	TM8V100C16MP12C	21.0	CF/CM/CU60D	1700	56.5	41.8	14.50	12.25
TCG60B41S	TM8V100C20MP11C	21.0	CF/CM/CU60D	1775	56.0	40.5	14.25	12.00
TCG60B41S	TM8V100C20MP12C	21.0	CF/CM/CU60C	1550	55.0	39.1	15.00	12.50
TCG60B41S	TM8V100C20MP12C	21.0	CF/CM/CU60D	1550	55.0	39.1	15.25	12.50
TCG60B41S	TM8V100C20MP12C	21.0	CF/CM64D	1550	56.0	39.6	15.25	12.75
TCG60B41S	TM8V120C20MP11C	21.0	CF/CM/CU60D	1775	56.0	40.5	14.25	12.00
TCG60B41S	TM8V120C20MP12C	21.0	CF/CM/CU60C	1550	55.0	39.1	15.00	12.50
TCG60B41S	TM8V120C20MP12C	21.0	CF/CM/CU60D	1550	55.0	39.1	15.25	12.50
TCG60B41S	TM8V120C20MP12C	21.0	CF/CM64D	1550	56.0	39.6	15.25	12.75
TCG60B41S	TM8X080C16MP11	21.0	CF/CM/CU60C	1525	54.5	38.5	14.50	12.25
TCG60B41S	TM8X080C16MP11	21.0	CF/CM/CU60D	1550	55.0	39.1	14.75	12.25
TCG60B41S	TM8X080C16MP11	21.0	CF/CM64D	1525	55.5	38.8	14.75	12.50
TCG60B41S	TM8X100C16MP11	21.0	CF/CM/CU60C	1525	54.5	38.5	14.50	12.25
TCG60B41S	TM8X100C16MP11	21.0	CF/CM/CU60D	1550	55.0	39.1	14.75	12.25
TCG60B41S	TM8X100C16MP11	21.0	CF/CM64D	1525	55.5	38.8	14.75	12.50
TCG60B41S	TM8X100C20MP11	21.0	CF/CM/CU60C	1625	56.0	39.0	15.00	12.25
TCG60B41S	TM8X100C20MP11	21.0	CF/CM/CU60D	1650	56.0	39.0	15.00	12.50
TCG60B41S	TM8X100C20MP11	21.0	CF/CM64D	1625	57.5	39.5	15.50	12.75
TCG60B41S	TM8X120C20MP11	21.0	CF/CM/CU60C	1625	56.0	39.0	15.00	12.25
TCG60B41S	TM8X120C20MP11	21.0	CF/CM/CU60D	1650	56.0	39.0	15.00	12.50
TCG60B41S	TM8X120C20MP11	21.0	CF/CM64D	1625	57.5	39.5	15.50	12.75

COOLING CAPACITY - With High Efficiency Motor Furnaces¹ (Continued)

UNIT MODEL	FURNACE		COIL MODEL ²	COOLING				
	MODEL	WIDTH		RATED CFM	NET MBH		SEER	EER
					TOTAL	SENS.		
TCG60B41S	TM8Y080C16MP11	21.0	CF/CM/CU60C	1525	54.5	38.5	14.50	12.25
TCG60B41S	TM8Y080C16MP11	21.0	CF/CM/CU60D	1550	55.0	39.1	14.75	12.25
TCG60B41S	TM8Y080C16MP11	21.0	CF/CM64D	1525	55.5	38.8	14.75	12.50
TCG60B41S	TM8Y100C16MP11	21.0	CF/CM/CU60C	1525	54.5	38.5	14.50	12.25
TCG60B41S	TM8Y100C16MP11	21.0	CF/CM/CU60D	1550	55.0	39.1	14.75	12.25
TCG60B41S	TM8Y100C16MP11	21.0	CF/CM64D	1525	55.5	38.8	14.75	12.50
TCG60B41S	TM8Y100C20MP11	21.0	CF/CM/CU60C	1625	56.0	39.0	15.00	12.25
TCG60B41S	TM8Y100C20MP11	21.0	CF/CM/CU60D	1650	56.0	39.0	15.00	12.50
TCG60B41S	TM8Y100C20MP11	21.0	CF/CM64D	1625	57.5	39.5	15.50	12.75
TCG60B41S	TM8Y120C20MP11	21.0	CF/CM/CU60C	1625	56.0	39.0	15.00	12.25
TCG60B41S	TM8Y120C20MP11	21.0	CF/CM/CU60D	1650	56.0	39.0	15.00	12.50
TCG60B41S	TM8Y120C20MP11	21.0	CF/CM64D	1625	57.5	39.5	15.50	12.75
TCG60B41S	TM9E080C20MP12	21.0	CF/CM/CU60C	1725	55.5	41.7	14.00	11.75
TCG60B41S	TM9E080C20MP12	21.0	CF/CM/CU60D	1525	54.5	39.5	14.75	12.25
TCG60B41S	TM9E080C20MP12	21.0	CF/CM64D	1750	57.5	43.6	14.75	12.25
TCG60B41S	TM9E100C16MP12	21.0	CF/CM/CU60D	1600	54.5	40.0	14.00	11.75
TCG60B41S	TM9E100C20MP11	21.0	CF/CM/CU60C	1525	54.5	38.5	14.75	12.25
TCG60B41S	TM9E100C20MP11	21.0	CF/CM/CU60D	1625	56.0	39.0	14.75	12.25
TCG60B41S	TM9E100C20MP11	21.0	CF/CM64D	1600	57.0	39.5	15.00	12.50
TCG60B41S	TM9E100C20MP12	21.0	CF/CM/CU60C	1700	55.5	41.5	14.25	12.00
TCG60B41S	TM9E100C20MP12	21.0	CF/CM/CU60D	1550	55.0	39.8	14.75	12.25
TCG60B41S	TM9E100C20MP12	21.0	CF/CM64D	1525	57.0	40.7	15.50	12.75
TCG60B41S	TM9E120D20MP11	24.5	CF/CM/CU60D	1625	56.0	39.0	15.00	12.50
TCG60B41S	TM9E120D20MP11	24.5	CF/CM64D	1600	57.5	39.5	15.25	12.75
TCG60B41S	TM9E120D20MP12	24.5	CF/CM/CU60D	1625	55.0	40.5	14.50	12.00
TCG60B41S	TM9E120D20MP12	24.5	CF/CM64D	1600	57.0	41.9	15.00	12.50
TCG60B41S	TM9V080C16MP11C	21.0	CF/CM/CU60C	1650	56.0	39.0	14.50	12.00
TCG60B41S	TM9V080C16MP11C	21.0	CF/CM/CU60D	1525	54.5	39.1	14.25	12.00
TCG60B41S	TM9V080C16MP12C	21.0	CF/CM/CU60D	1525	54.5	39.1	14.25	12.00
TCG60B41S	TM9V100C16MP11C	21.0	CF/CM/CU60C	1650	56.0	39.0	14.50	12.00
TCG60B41S	TM9V100C16MP12C	21.0	CF/CM/CU60C	1600	55.5	40.1	14.50	12.25
TCG60B41S	TM9V100C16MP12C	21.0	CF/CM/CU60D	1600	55.5	40.1	14.75	12.50
TCG60B41S	TM9V100C16MP12C	21.0	CF/CM64D	1600	56.5	40.4	15.00	12.50
TCG60B41S	TM9V100C20MP11C	21.0	CF/CM64D	1500	56.5	38.0	15.00	12.50
TCG60B41S	TM9V100C20MP12C	21.0	CF/CM/CU60C	1600	55.5	40.1	14.75	12.25
TCG60B41S	TM9V100C20MP12C	21.0	CF/CM64D	1600	56.5	40.4	15.00	12.50
TCG60B41S	TM9V120D20MP11C	24.5	CF/CM/CU60D	1675	56.0	39.0	14.75	12.25
TCG60B41S	TM9V120D20MP11C	24.5	CF/CM64D	1675	57.5	39.5	14.75	12.50
TCG60B41S	TM9V120D20MP12C	24.5	CF/CM/CU60D	1575	55.5	39.8	15.25	12.75
TCG60B41S	TM9V120D20MP12C	24.5	CF/CM64D	1575	56.0	39.8	15.25	12.75
TCG60B41S	TM9Y100C20MP11	21.0	CF/CM/CU60C	1525	54.5	38.5	14.75	12.25
TCG60B41S	TM9Y100C20MP11	21.0	CF/CM/CU60D	1625	56.0	39.0	14.75	12.25
TCG60B41S	TM9Y100C20MP11	21.0	CF/CM64D	1600	57.0	39.5	15.00	12.50
TCG60B41S	TM9Y120D20MP11	24.5	CF/CM/CU60D	1625	56.0	39.0	15.00	12.50
TCG60B41S	TM9Y120D20MP11	24.5	CF/CM64D	1600	57.5	39.5	15.25	12.75
TCG60B41S	TMLE080C16MP11	21.0	CF/CM/CU60C	1575	54.5	39.6	14.25	12.00
TCG60B41S	TMLE080C16MP11	21.0	CF/CM/CU60D	1600	55.0	40.4	14.25	12.00
TCG60B41S	TMLE080C16MP11	21.0	CF/CM64D	1575	56.5	41.3	14.75	12.25
TCG60B41S	TMLE080C20MP11	21.0	CF/CM/CU60C	1550	55.0	39.8	14.50	12.25
TCG60B41S	TMLE080C20MP11	21.0	CF/CM/CU60D	1575	55.0	40.0	14.75	12.25
TCG60B41S	TMLE080C20MP11	21.0	CF/CM64D	1575	57.0	41.2	15.25	12.75
TCG60B41S	TMLE100C16MP11	21.0	CF/CM/CU60C	1575	54.5	39.6	14.25	12.00
TCG60B41S	TMLE100C16MP11	21.0	CF/CM/CU60D	1600	55.0	40.4	14.25	12.00

COOLING CAPACITY - With High Efficiency Motor Furnaces¹ (Continued)

UNIT MODEL	FURNACE		COIL MODEL ²	COOLING				
	MODEL	WIDTH		RATED CFM	NET MBH		SEER	EER
					TOTAL	SENS.		
TCG60B41S	TMLE100C16MP11	21.0	CF/CM64D	1575	56.5	41.3	14.75	12.25
TCG60B41S	TMLE100C20MP11	21.0	CF/CM/CU60C	1725	55.5	41.7	14.00	11.75
TCG60B41S	TMLE100C20MP11	21.0	CF/CM/CU60D	1550	55.0	39.8	14.75	12.25
TCG60B41S	TMLE100C20MP11	21.0	CF/CM64D	1525	57.0	40.7	15.50	12.75
TCG60B41S	TMLE120C16MP11	21.0	CF/CM/CU60C	1575	55.0	40.1	14.25	12.00
TCG60B41S	TMLE120C16MP11	21.0	CF/CM/CU60D	1600	55.0	40.4	14.25	12.00
TCG60B41S	TMLE120C16MP11	21.0	CF/CM64D	1575	56.5	41.3	14.75	12.25
TCG60B41S	TMLE120C20MP11	21.0	CF/CM/CU60C	1750	55.5	41.9	14.25	12.00
TCG60B41S	TMLE120C20MP11	21.0	CF/CM/CU60D	1525	54.5	39.5	14.75	12.25
TCG60B41S	TMLE120C20MP11	21.0	CF/CM64D	1525	57.0	40.7	15.50	12.75
TCG60B41S	TMLE130D20MP11	24.5	CF/CM/CU60D	1650	55.5	41.1	14.50	12.25
TCG60B41S	TMLE130D20MP11	24.5	CF/CM64D	1625	57.0	42.2	15.25	12.75
TCG60B41S	TMLV080C16MP12C	21.0	CF/CM/CU60C	1700	56.5	41.9	14.25	12.20
TCG60B41S	TMLV080C16MP12C	21.0	CF/CM/CU60D	1700	56.5	41.8	14.50	12.25
TCG60B41S	TMLV100C16MP12C	21.0	CF/CM/CU60C	1700	56.5	41.9	14.25	12.20
TCG60B41S	TMLV100C16MP12C	21.0	CF/CM/CU60D	1700	56.5	41.8	14.50	12.25
TCG60B41S	TMLV100C20MP11C	21.0	CF/CM/CU60D	1775	56.0	40.5	14.25	12.00
TCG60B41S	TMLV100C20MP12C	21.0	CF/CM/CU60C	1550	55.0	39.1	15.00	12.50
TCG60B41S	TMLV100C20MP12C	21.0	CF/CM/CU60D	1550	55.0	39.1	15.25	12.50
TCG60B41S	TMLV100C20MP12C	21.0	CF/CM64D	1550	56.0	39.6	15.25	12.75
TCG60B41S	TMLV120C20MP11C	21.0	CF/CM/CU60D	1775	56.0	40.5	14.25	12.00
TCG60B41S	TMLV120C20MP12C	21.0	CF/CM/CU60C	1550	55.0	39.1	15.00	12.50
TCG60B41S	TMLV120C20MP12C	21.0	CF/CM/CU60D	1550	55.0	39.1	15.25	12.50
TCG60B41S	TMLV120C20MP12C	21.0	CF/CM64D	1550	56.0	39.6	15.25	12.75
TCG60B41S	TMLX080C16MP11	21.0	CF/CM/CU60C	1525	54.5	38.5	14.50	12.25
TCG60B41S	TMLX080C16MP11	21.0	CF/CM/CU60D	1550	55.0	39.1	14.75	12.25
TCG60B41S	TMLX080C16MP11	21.0	CF/CM64D	1525	55.5	38.8	14.75	12.50
TCG60B41S	TMLX100C16MP11	21.0	CF/CM/CU60C	1525	54.5	38.5	14.50	12.25
TCG60B41S	TMLX100C16MP11	21.0	CF/CM/CU60D	1550	55.0	39.1	14.75	12.25
TCG60B41S	TMLX100C16MP11	21.0	CF/CM64D	1525	55.5	38.8	14.75	12.50
TCG60B41S	TMLX100C20MP11	21.0	CF/CM/CU60C	1625	56.0	39.0	15.00	12.25
TCG60B41S	TMLX100C20MP11	21.0	CF/CM/CU60D	1650	56.0	39.0	15.00	12.50
TCG60B41S	TMLX100C20MP11	21.0	CF/CM64D	1625	57.5	39.5	15.50	12.75
TCG60B41S	TMLX120C20MP11	21.0	CF/CM/CU60C	1625	56.0	39.0	15.00	12.25
TCG60B41S	TMLX120C20MP11	21.0	CF/CM/CU60D	1650	56.0	39.0	15.00	12.50
TCG60B41S	TMLX120C20MP11	21.0	CF/CM64D	1625	57.5	39.5	15.50	12.75
TCG60B41S	TP9C080C16MP12C	21.0	CF/CM/CU60C	1650	56.0	39.0	14.50	12.00
TCG60B41S	TP9C080C16MP13C	21.0	CF/CM/CU60D	1525	54.5	39.1	14.25	12.00
TCG60B41S	TP9C100C16MP12C	21.0	CF/CM/CU60C	1650	56.0	39.0	14.50	12.00
TCG60B41S	TP9C100C16MP13C	21.0	CF/CM/CU60C	1600	55.5	40.1	14.50	12.25
TCG60B41S	TP9C100C16MP13C	21.0	CF/CM/CU60D	1600	55.5	40.1	14.75	12.50
TCG60B41S	TP9C100C16MP13C	21.0	CF/CM64D	1600	56.5	40.4	15.00	12.50
TCG60B41S	TP9C100C20MP12C	21.0	CF/CM64D	1500	56.5	38.0	15.00	12.50
TCG60B41S	TP9C100C20MP13C	21.0	CF/CM/CU60C	1600	55.5	40.1	14.75	12.25
TCG60B41S	TP9C100C20MP13C	21.0	CF/CM64D	1600	56.5	40.4	15.00	12.50
TCG60B41S	TP9C120D20MP12C	24.5	CF/CM/CU60D	1675	56.0	39.0	14.75	12.25
TCG60B41S	TP9C120D20MP12C	24.5	CF/CM64D	1675	57.5	39.5	14.75	12.50
TCG60B41S	TP9C120D20MP13C	24.5	CF/CM/CU60D	1575	55.5	39.8	15.25	12.75
TCG60B41S	TP9C120D20MP13C	24.5	CF/CM64D	1575	56.0	39.8	15.25	12.75
TCG60B41S	TPLC080C16MP13C	21.0	CF/CM/CU60C	1700	56.5	41.9	14.25	12.20
TCG60B41S	TPLC080C16MP13C	21.0	CF/CM/CU60D	1700	56.5	41.8	14.50	12.25
TCG60B41S	TPLC100C16MP13C	21.0	CF/CM/CU60C	1700	56.5	41.9	14.25	12.20
TCG60B41S	TPLC100C16MP13C	21.0	CF/CM/CU60D	1700	56.5	41.8	14.50	12.25

COOLING CAPACITY - With High Efficiency Motor Furnaces¹ (Continued)

UNIT MODEL	FURNACE		COIL MODEL ²	RATED CFM	COOLING			
	MODEL	WIDTH			NET MBH		SEER	EER
					TOTAL	SENS.		
TCG60B41S	TPLC100C20MP12C	21.0	CF/CM/CU60D	1775	56.0	40.5	14.25	12.00
TCG60B41S	TPLC100C20MP13C	21.0	CF/CM/CU60C	1550	55.0	39.1	15.00	12.50
TCG60B41S	TPLC100C20MP13C	21.0	CF/CM/CU60D	1550	55.0	39.1	15.25	12.50
TCG60B41S	TPLC100C20MP13C	21.0	CF/CM64D	1550	56.0	39.6	15.25	12.75
TCG60B41S	TPLC120C20MP12C	21.0	CF/CM/CU60D	1775	56.0	40.5	14.25	12.00
TCG60B41S	TPLC120C20MP13C	21.0	CF/CM/CU60C	1550	55.0	39.1	15.00	12.50
TCG60B41S	TPLC120C20MP13C	21.0	CF/CM/CU60D	1550	55.0	39.1	15.25	12.50
TCG60B41S	TPLC120C20MP13C	21.0	CF/CM64D	1550	56.0	39.6	15.25	12.75
TCG60B41S	YP9C080C16MP12C	21.0	CF/CM/CU60C	1650	56.0	39.0	14.50	12.00
TCG60B41S	YP9C080C16MP13C	21.0	CF/CM/CU60D	1525	54.5	39.1	14.25	12.00
TCG60B41S	YP9C100C16MP12C	21.0	CF/CM/CU60C	1650	56.0	39.0	14.50	12.00
TCG60B41S	YP9C100C16MP13C	21.0	CF/CM/CU60C	1600	55.5	40.1	14.50	12.25
TCG60B41S	YP9C100C16MP13C	21.0	CF/CM/CU60D	1600	55.5	40.1	14.75	12.50
TCG60B41S	YP9C100C16MP13C	21.0	CF/CM64D	1600	56.5	40.4	15.00	12.50
TCG60B41S	YP9C100C20MP12C	21.0	CF/CM64D	1500	56.5	38.0	15.00	12.50
TCG60B41S	YP9C100C20MP13C	21.0	CF/CM/CU60C	1600	55.5	40.1	14.75	12.25
TCG60B41S	YP9C100C20MP13C	21.0	CF/CM64D	1600	56.5	40.4	15.00	12.50
TCG60B41S	YP9C120D20MP12C	24.5	CF/CM/CU60D	1675	56.0	39.0	14.75	12.25
TCG60B41S	YP9C120D20MP12C	24.5	CF/CM64D	1675	57.5	39.5	14.75	12.50
TCG60B41S	YP9C120D20MP13C	24.5	CF/CM/CU60D	1575	55.5	39.8	15.25	12.75
TCG60B41S	YP9C120D20MP13C	24.5	CF/CM64D	1575	56.0	39.8	15.25	12.75
TCG60B41S	YPLC080C16MP13C	21.0	CF/CM/CU60C	1700	56.5	41.9	14.25	12.20
TCG60B41S	YPLC080C16MP13C	21.0	CF/CM/CU60D	1700	56.5	41.8	14.50	12.25
TCG60B41S	YPLC100C16MP13C	21.0	CF/CM/CU60C	1700	56.5	41.9	14.25	12.20
TCG60B41S	YPLC100C16MP13C	21.0	CF/CM/CU60D	1700	56.5	41.8	14.50	12.25
TCG60B41S	YPLC100C20MP12C	21.0	CF/CM/CU60D	1775	56.0	40.5	14.25	12.00
TCG60B41S	YPLC100C20MP13C	21.0	CF/CM/CU60C	1550	55.0	39.1	15.00	12.50
TCG60B41S	YPLC100C20MP13C	21.0	CF/CM/CU60D	1550	55.0	39.1	15.25	12.50
TCG60B41S	YPLC100C20MP13C	21.0	CF/CM64D	1550	56.0	39.6	15.25	12.75
TCG60B41S	YPLC120C20MP12C	21.0	CF/CM/CU60D	1775	56.0	40.5	14.25	12.00
TCG60B41S	YPLC120C20MP13C	21.0	CF/CM/CU60C	1550	55.0	39.1	15.00	12.50
TCG60B41S	YPLC120C20MP13C	21.0	CF/CM/CU60D	1550	55.0	39.1	15.25	12.50
TCG60B41S	YPLC120C20MP13C	21.0	CF/CM64D	1550	56.0	39.6	15.25	12.75

For rated condition information, see the footnotes below the System Capacity - Single Piece and Modular Air Handlers table.

1. High Efficiency Motor Furnaces have B.O.D (Blower Off Delay) standard.
 2. CM coils available with a factory installed horizontal drain pan. See price pages for specific model number.
- PSC furnaces, such as the TG8S, TGLS, and TG9S, use Coil Only Ratings.

APPLICATIONS AND ACCESSORIES

Refer to Price Manual for specific model numbers.

Standard Application Limits*		
Maximum Lineset Equivalent Length	80 Ft	
Outdoor Ambient Temperature Limits		
Cooling Operation	Maximum DB	125°F
	Minimum DB	55°F

* For Low Ambient and/or Long Lineset Applications, please see the accessories listed below.

Non-Standard Lineset Applications - For installations with reduced diameter or long linesets, refer to the current version of the Piping Application Guide P/N 247077, available in the Application Bulletins section on www.simplygettingthejobdone.com.

OD Unit Anti Short Cycle Kit (10 Pack) S1-2TD08700124BK: A time delay that prevents rapid compressor restarting as a result of power interruption, limit switch operation, or thermostat resetting. Not required for HP models, or for AC models with factory electronic controls.

Standard Low Ambient Control Kit S1-2LA06700424: Allows the use of air conditioning at low outdoor ambient temperatures down to +20°F (-7°C). For use with all R-410A single stage AC & HP models.

Outdoor Communicating Board Kit (S1-33102952310): Electronic control upgrade for standard AC units to provide compatibility with the Residential Touch Screen Communicating Control.

Compressor Crankcase Heater Kit (S1-025-**-***):** A wrap-around electrical resistance heater that warms the compressor sump, reducing the chance of liquid slugging on startup. Required on all long lineset and low ambient applications. See Price Pages or Source1 SmartSearch for the correct part for each application.

Support Feet S1-HPRKIT-:** Kit of 5 support feet to raise unit above snow or landscaping. Available in heights of 3", 6" or 12".

Anchor Bracket Kit S1-1HK0401: Firmly anchors unit to pad or support structure. When properly installed, approved for ground-mounted or roof-mounted applications.

Indoor TXV Kit S1-1TVM*:** Thermal expansion valves precisely meter refrigerant for optimum performance over a wide range of conditions. See System Charge Table, Price Pages, or Source1 Smart Search for TXV part number for each AC & HP model.

Wall Mount Kit (S1-ACB-):** Includes two brackets to allow outdoor unit to be securely mounted to a vertical wall. Mounting hardware is field sourced according to the specific application.

Winter Cover Kit S1-CCVRE*:** Custom fit winter cover protects AC condensing unit from debris during the off-season. Must be removed prior to unit operation. See Price Pages or Source1 SmartSearch for the correct cover for each application.

Cold Weather Charging Tent S1-CHGTENT01: Provides warm environment to accurately service AC & HP systems in ambient conditions 55°F (13°C) or colder.

Touch-up Paint S1-5130153**:** Color matched aerosol paint for touching up unit chassis and panels. See Price Pages or Source1 SmartSearch for the correct color for each application.

Compressor Sound Blanket S1-0100764*000: A field installed dense foam cover that provides 2dBA sound level reduction. See Price Pages or Source1 SmartSearch for the correct blanket for each application.

Thermostat: Compatible thermostat controls are available through accessory sourcing. For optimum performance, these outdoor units are fully compatible with our York Hx™ Touch-screen Thermostats available through Source1. For more information, see the thermostat section of the Product Equipment Catalog.

SOUND POWER RATINGS

Cooling	Octave Band Sound Power Level (db re. 1-pW)									
	Model Number	63	125	250	500	1000	2000	4000	8000	dBA
TCG36B(3,4)1S	66	69	65	68	70	68	59	54	73	19.2
TCG48B(3,4)1S	72	71	72	73	70	65	59	59	74	19.0
TCG60B(3,4)1S	68	76	74	72	71	66	60	57	75	19.1

Rated in accordance with ARI Standard 270.

MECHANICAL SPECIFICATIONS

Manufacture and certifications

- Units shall be manufactured in an ISO 9001 certified facility.
- Units shall be certified by CSA to UL 1995 / CSA 22.2 and performance certified to ANSI/AHRI Standard 210/240.
- Units shall be sound tested according to ANSI/AHRI Standard 270.
- Certified matched system ratings will be available for download from the AHRI online directory at www.ahridirectory.org
- Unit packaging shall be marked, "Assembled in the USA"

Unit Application

- Units shall be approved for cooling operation between 55°F and 125°F without modification.
- Units shall be approved for linesets up to 80 feet equivalent length without modification.
- Units shall be approved for installation within 6 inches of a flat vertical wall without modification, according to the instructions in the technical literature.
- Units shall be certified to the 5th Edition (2014) of the Florida Building Code for both Ground Mounted and Rooftop Mounted applications up to 200 feet above grade with approved mounting kit.
- Units shall be designed to 76dBA or less to minimize sound pollution.

Unit Access

- Units shall have a removable fan guard that can be removed independently of the top for interior access through the top of the unit without damaging the coil.
- Units shall have two removable stamped steel coil guards for exterior coil access.
- Units shall have a separate compartment for electrical controls that can be accessed without disturbing the unit airflow.
- Units shall have a blockoff panel that can be removed to provide interior unit access through the side of the unit.
- Units shall have a removable blockoff panel and a swing away removable electrical panel that provides sufficient interior unit access for removing the compressor through the side of the unit.

Unit Construction

- Units shall be shipped completely wired, piped and assembled. Wiring pigtailed shall be provided for field control wiring connections. Service valves shall be provided for field refrigerant line connections.

- Units shall be factory leak checked, run tested, and shipped with a holding charge of R-410A refrigerant.
- Unit cabinet components shall be G90 equivalent steel finished with powder-coat paint rated at a minimum of 500 hours under ASTM B117 testing.
- Unit base pan shall be stamped G90 equivalent steel finished with powder-coat paint rated at a minimum of 500 hours under ASTM B117 testing.
- Units shall have a single corner post opposite the electrical control box and two independently removable steel coil guard panels to optimize cabinet strength and serviceability.
- Units shall have L-shaped stamped sheet metal coil guards with extruded slots for maximum panel durability and stiffness.
- Units shall have a factory installed filter-drier for faster installation and improved system reliability.
- Unit base valves shall be mounted diagonally on the unit base pan with service ports that provide sufficient clearance for low-loss hose fittings.
- Units shall be constructed with a high pressure switch for system protection.
- Units shall be constructed with all badging and labels applied at the factory.

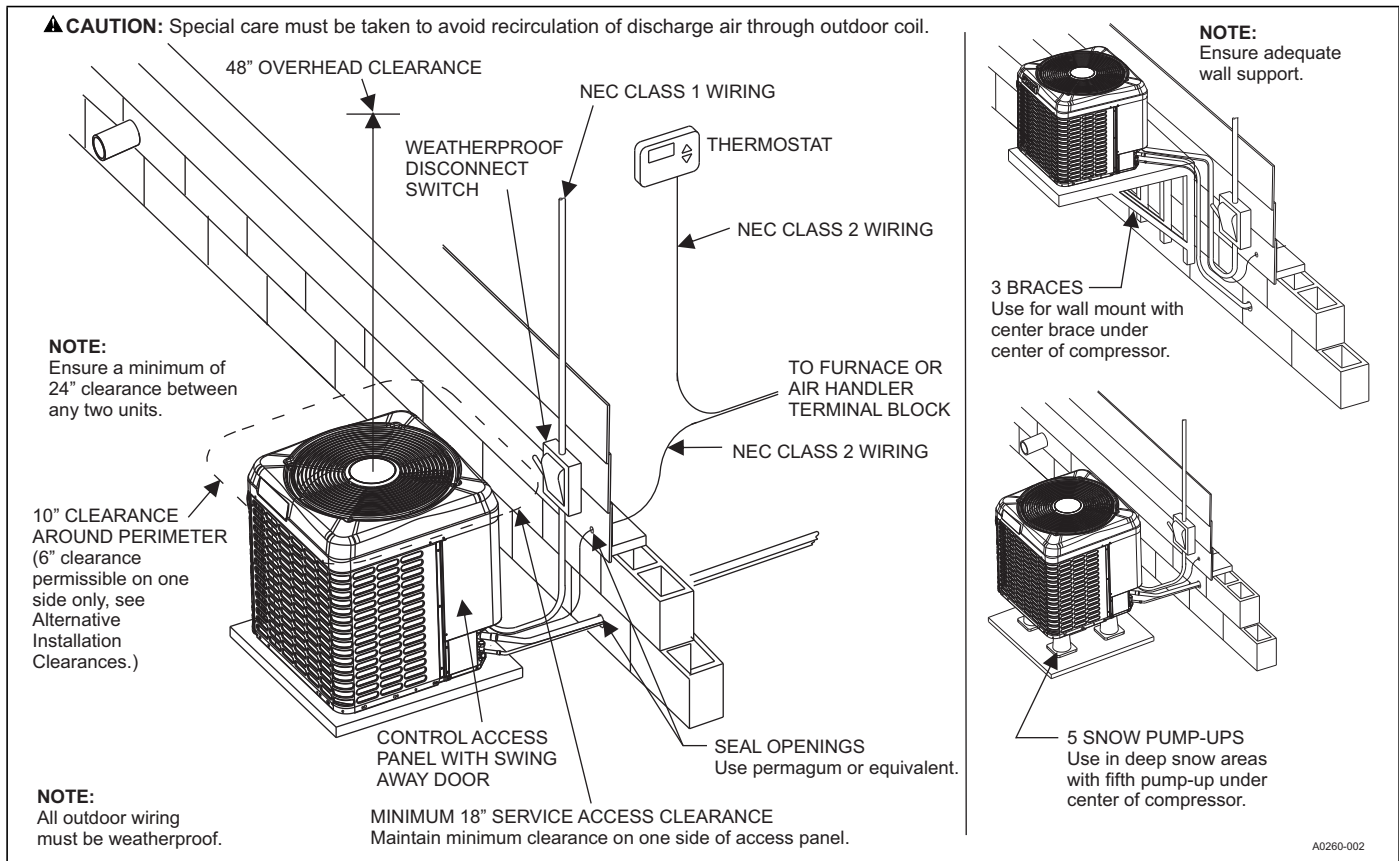
Unit Components

- Compressor shall be hermetic with internal electrical overload protection and internal overpressure protection.
- Compressor shall be mounted on rubber vibration isolators that do not require the removal of transportation clips or brackets.
- Units shall be constructed with internally sprung reciprocating compressors for low vibration. (Applies to select models).
- Outdoor fan shall be direct drive with vertical air discharge for low sound levels.
- Outdoor fan motor shall be totally enclosed with permanently lubricated ball bearings motors approved for vertical shaft applications.
- Outdoor coil shall be air cooled and constructed of zinc-coated aluminum microchannel construction for small size and low weight.

Unit Warranties

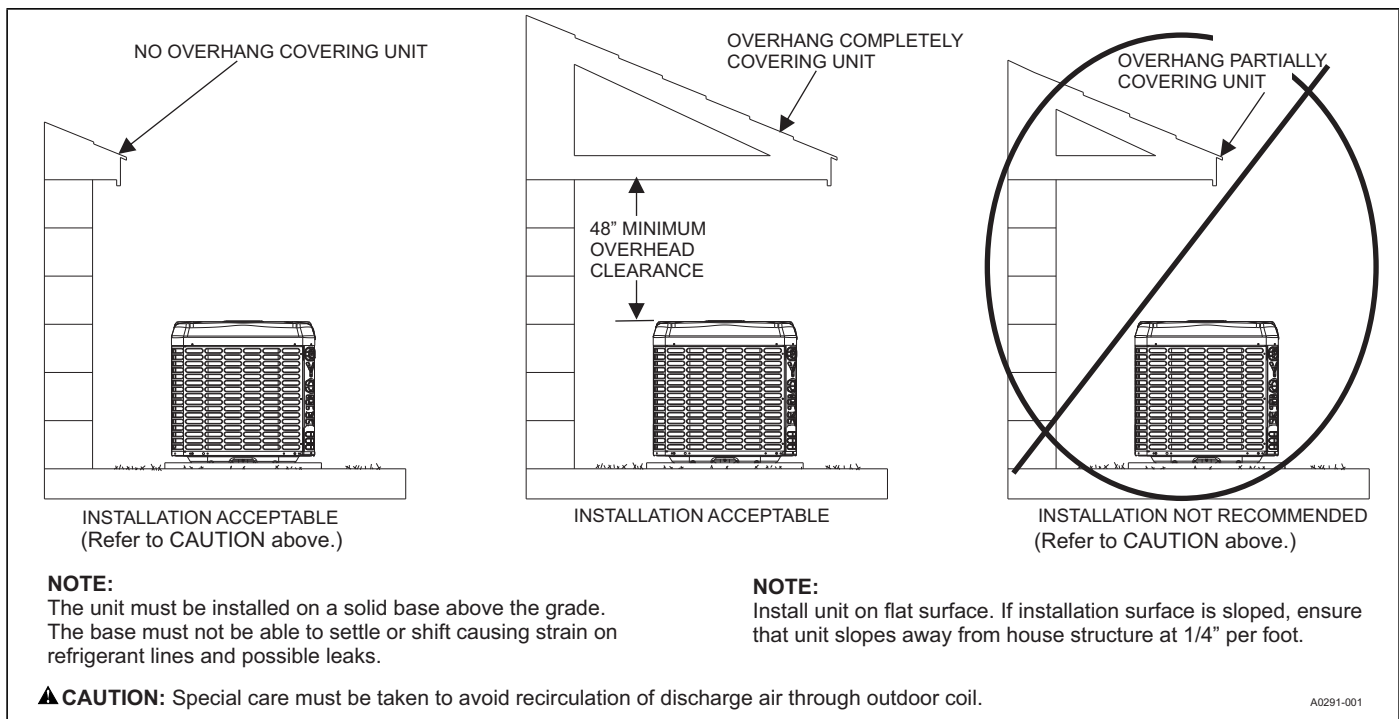
- Unit manufacturer shall provide a 5-Year compressor warranty without a requirement for unit registration.
- Unit manufacturer shall provide a 1-Year parts warranty without a requirement for unit registration.

TYPICAL INSTALLATION

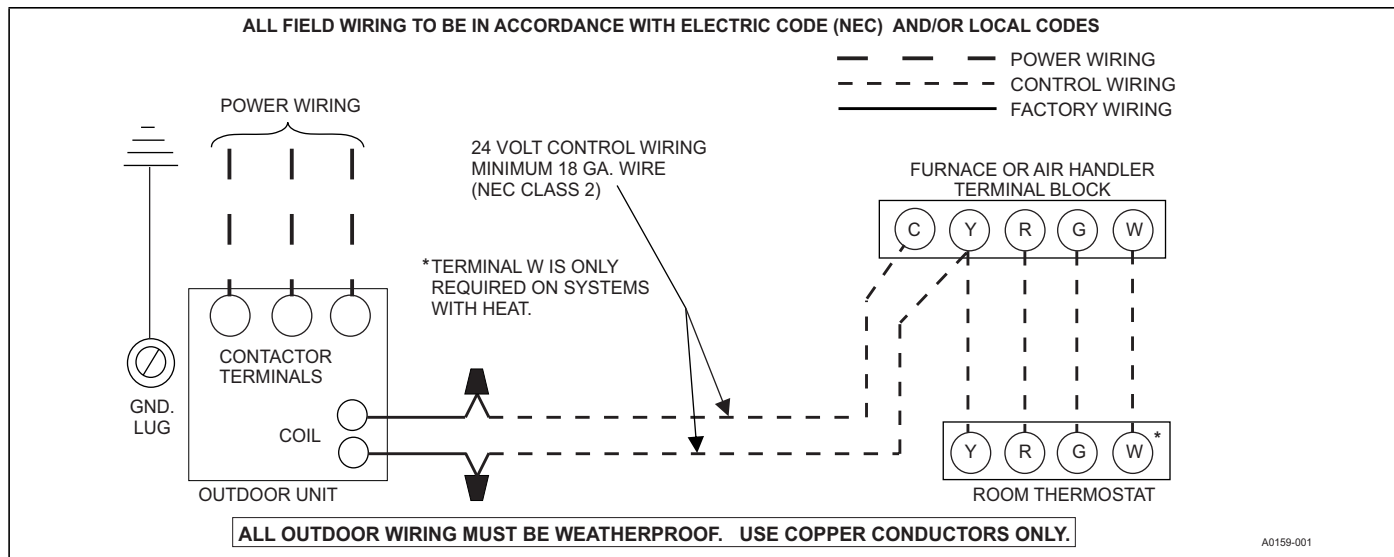


▲ CAUTION

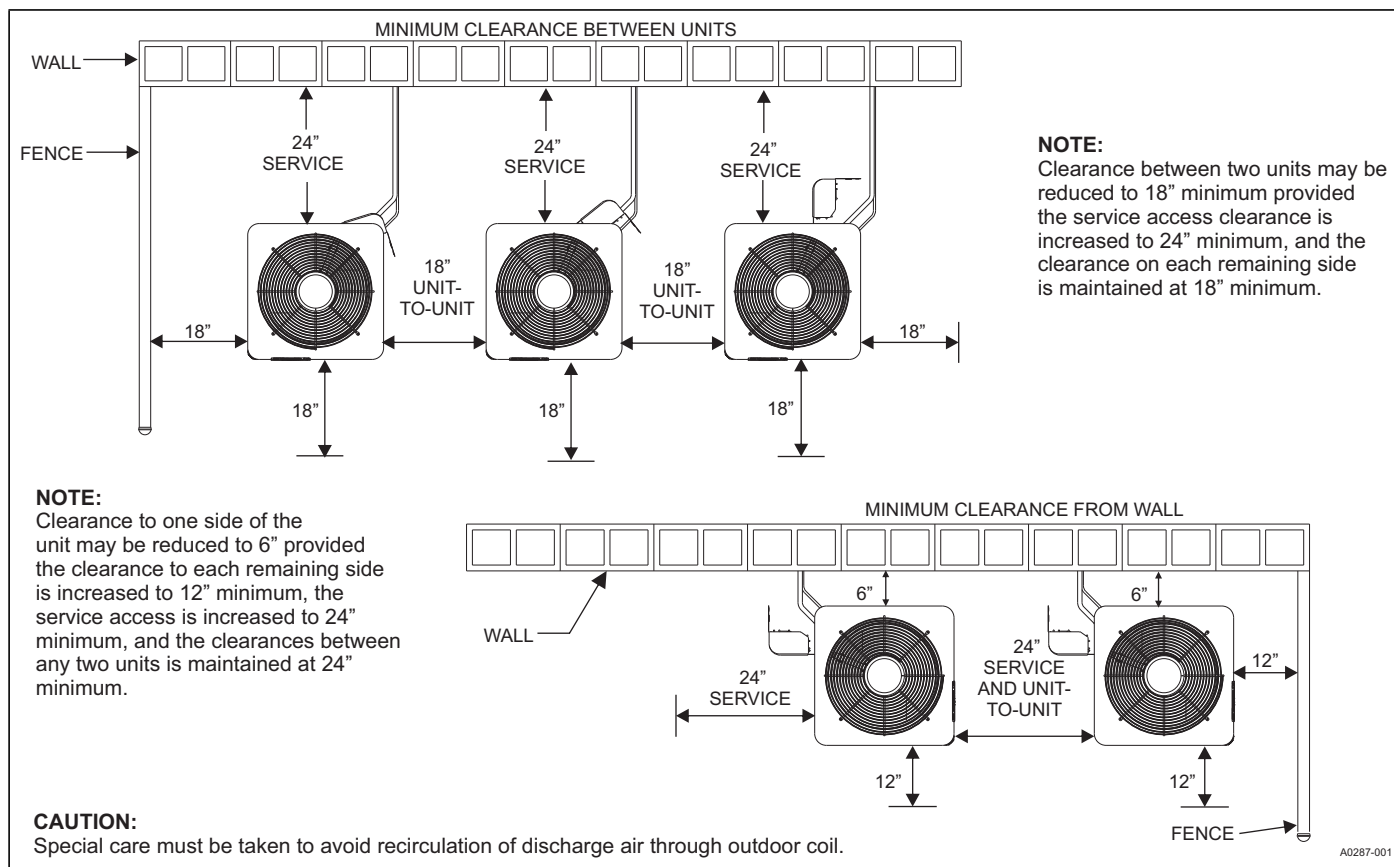
Care must be taken to prevent ice from damaging the unit. Damage may occur from ice falling onto unit from a sloped roof or from a vertical drip line due to a partial overhang.



TYPICAL FIELD WIRING



ALTERNATIVE INSTALLATION CLEARANCES



PERFORMANCE DATA - 3 TON 208-230 Volt

CONDENSER-ONLY DATA (OUTDOOR UNIT)																		
MODEL	SATURATED SUCTION @ COMPRESSOR		Outdoor Ambient Temperature															
			55 °F		65 °F		75 °F		85 °F		95 °F		105 °F		115 °F		125 °F	
	T (°F)	P (PSIG)	MBH	KW	MBH	KW	MBH	KW	MBH	KW	MBH	KW	MBH	KW	MBH	KW	MBH	KW
TCG36B31S	35	107	35.9	1.81	34.1	2.04	32.3	2.29	30.4	2.57	28.3	2.87	26.2	3.23	23.9	3.64	21.6	4.11
	40	118	39.6	1.81	37.7	2.04	35.7	2.28	33.6	2.55	31.5	2.86	29.2	3.22	26.9	3.63	24.4	4.08
	45	130	43.5	1.80	41.4	2.03	39.3	2.28	37.1	2.55	34.8	2.85	32.4	3.20	29.9	3.61	27.3	4.05
	50	142	47.6	1.82	45.4	2.04	43.1	2.28	40.8	2.55	38.3	2.85	35.8	3.19	33.2	3.59	30.4	4.03
	55	156	52.0	1.84	49.5	2.06	47.1	2.30	44.5	2.57	42.0	2.85	39.3	3.19	36.5	3.59	33.7	4.01

Notes:

- For Outdoor Unit (Condenser) performance only. Data does not include the effects of air handler power or heat.
- Performance based on 15°F subcooling and 15°F superheat at the Outdoor Unit base valves.
 - Increase capacity by 1% for each 2°F increase in subcooling.
 - Decrease capacity by 1% for each 2°F decrease in subcooling.
- Maximum recommended condensing temperature is 140°F.

COOLING PERFORMANCE DATA																			
OUTDOOR UNIT MODEL NO.		TCG36B31S																	
INDOOR COIL MODEL NO.		CF48CXA1																	
AIR TEMP. ENTERING OUTDOOR UNIT (°F)	ID CFM	1000						1200						1400					
	ID DB (°F)	80	80	75	80	80	80	80	75	80	80	80	80	80	75	80	80		
	ID WB (°F)	57	62	62	67	72	57	62	62	67	72	57	62	62	67	72			
55	T.C.	34.8	37.4	37.0	38.9	38.4	36.0	37.9	37.5	38.9	38.3	37.3	38.5	38.0	38.9	38.2			
	S.C.	34.7	30.9	26.1	24.8	18.2	36.0	32.7	27.6	25.2	18.5	37.3	34.5	29.0	25.6	18.9			
	KW	1.84	1.85	1.85	1.86	1.86	1.91	1.92	1.92	1.93	1.94	1.98	1.99	1.99	2.00	2.01			
65	T.C.	34.0	36.2	36.1	38.7	39.7	35.3	36.9	36.7	39.0	39.8	36.7	37.6	37.3	39.3	40.0			
	S.C.	34.0	30.6	25.8	25.1	19.0	35.3	32.9	27.6	26.2	19.6	36.7	35.2	29.4	27.4	20.2			
	KW	2.03	2.04	2.03	2.05	2.04	2.10	2.11	2.11	2.12	2.12	2.18	2.18	2.18	2.19	2.20			
75	T.C.	33.1	35.0	35.3	38.5	41.0	34.6	35.9	36.0	39.1	41.4	36.1	36.8	36.6	39.8	41.8			
	S.C.	33.1	30.3	25.6	25.4	19.8	34.6	33.1	27.7	27.3	20.6	36.1	35.9	29.7	29.1	21.5			
	KW	2.22	2.23	2.22	2.24	2.23	2.30	2.30	2.30	2.31	2.31	2.37	2.37	2.37	2.38	2.39			
85	T.C.	31.6	33.8	33.9	37.0	39.7	33.2	34.6	34.5	37.6	40.1	34.8	35.4	35.1	38.1	40.5			
	S.C.	31.6	29.6	25.0	24.9	19.4	33.2	32.3	27.1	26.8	20.4	34.8	35.1	29.2	28.8	21.4			
	KW	2.49	2.51	2.49	2.50	2.49	2.56	2.57	2.56	2.57	2.57	2.63	2.64	2.63	2.64	2.64			
95	T.C.	30.1	32.5	32.5	35.5	38.4	31.8	33.3	33.0	36.0	38.8	33.5	34.0	33.5	36.5	39.3			
	S.C.	30.1	28.9	24.5	24.4	19.1	31.8	31.6	26.6	26.4	20.2	33.5	34.0	28.7	28.4	21.3			
	KW	2.76	2.78	2.76	2.75	2.75	2.83	2.85	2.83	2.82	2.82	2.89	2.91	2.89	2.89	2.89			
105	T.C.	28.9	30.5	30.4	33.5	36.4	30.4	31.3	30.9	33.9	36.7	31.9	32.1	31.4	34.4	37.0			
	S.C.	28.9	28.1	23.5	23.7	18.3	30.4	30.2	25.7	25.6	19.4	31.9	32.1	27.8	27.6	20.5			
	KW	3.20	3.22	3.22	3.18	3.17	3.25	3.27	3.28	3.24	3.24	3.30	3.32	3.33	3.31	3.31			
115	T.C.	27.6	28.6	28.4	31.6	34.5	29.0	29.4	28.9	32.0	34.7	30.3	30.2	29.3	32.3	34.8			
	S.C.	27.6	27.3	22.6	23.0	17.6	29.0	28.8	24.8	24.9	18.7	30.3	30.2	26.9	26.7	19.7			
	KW	3.63	3.64	3.67	3.59	3.57	3.67	3.68	3.71	3.65	3.64	3.70	3.72	3.76	3.71	3.71			
125	T.C.	26.4	26.7	26.4	29.7	32.6	27.6	27.5	26.8	30.0	32.6	28.7	28.3	27.2	30.2	32.6			
	S.C.	26.4	26.5	21.7	22.3	16.9	27.6	27.5	23.8	24.1	17.9	28.7	28.3	26.0	25.9	19.0			
	KW	4.06	4.07	4.12	4.01	3.98	4.08	4.09	4.15	4.06	4.04	4.10	4.12	4.19	4.11	4.11			

ALL CAPACITIES INCLUDE INDOOR FAN HEAT. KW VALUES ARE FOR THE SYSTEM (OUTDOOR + INDOOR).

Green shaded cells are ACCA (TVA) conditions.

Blue shaded cells are AHRI conditions.

Multipliers for determining the performance with other indoor sections.

NOTE: For dry bulb temperatures different than those listed (between 73-87 °F), sensible capacity increases by 1060 BTUH per 1000 CFM per degree above the listed temperature and decreases by 1060 BTUH per 1000 CFM per degree below the listed temperature.

COIL MULTIPLIERS- 3 TON

Air Handler	Coil	T.C.	S.C.	KW
-	CF/CM/CU36B	0.96	0.97	0.98
-	CF/CM/CU36C	0.96	0.97	0.98
-	CF/CM/CU36D	0.96	0.97	0.98
-	CF42B	0.98	0.97	1.00
-	CF/CM/CU42C	0.98	0.97	1.00
-	CF/CM/CU42D	0.98	0.97	1.00
-	CF/CM/CU48C	1.00	1.00	1.00
-	CF/CM/CU48D	1.00	1.00	1.00
-	CF/CM/CU60C	1.00	0.99	1.00
-	CF/CM/CU60D	1.00	0.99	1.00
AE36BX21	-	0.96	0.91	0.91
AE36CX21	-	0.96	0.93	0.88
AE42CX21	-	0.98	0.93	0.90
AE48CX21	-	1.00	1.03	0.91
AE48DX21	-	1.00	1.02	0.89
AE60CX21	-	1.00	1.04	0.94
AP36BX21	-	0.96	0.90	0.98
AP36CX21	-	0.96	0.90	0.96
AP42CX21	-	0.98	0.94	1.00
AP48CX21	-	1.00	0.99	1.00
AP48DX21	-	1.00	0.99	1.00
AP60CX21	-	1.00	1.04	1.04
AP60DX21	-	1.00	0.99	1.05
AVC36BX21	-	0.96	0.89	0.89
AVC36CX21	-	0.96	0.90	0.88
AVC42CX21	-	0.98	0.98	0.90
AVC48CX21	-	1.00	0.97	0.91
AVC48DX21	-	1.00	1.00	0.89
AVC60CX21	-	1.00	0.98	0.89
ME12BN21	CF/CM36B	0.96	0.93	0.89
ME12BN21	CF42B	0.98	0.92	0.93
ME14DN21	CF/CM36D	0.96	1.00	0.88
ME14DN21	CF/CM42D	0.98	0.98	0.88
ME14DN21	CF/CM48D	1.00	1.01	0.89
ME14DN21	CF/CM60D	1.00	0.96	0.93
ME16CN21	CF/CM36C	0.96	0.99	0.88
ME16CN21	CF/CM42C	0.98	0.98	0.88
ME16CN21	CF/CM48C	1.00	1.02	0.89
ME16CN21	CF/CM60C	1.00	1.02	0.89
ME20DN21	CF/CM36D	0.98	0.98	0.98
ME20DN21	CF/CM42D	1.00	1.03	0.94
ME20DN21	CF/CM48D	1.00	1.04	0.93
ME20DN21	CF/CM60D	1.00	1.05	0.93
MVC08BN21	CF/CM36B	1.00	0.96	0.96
MVC12BN21	CF/CM36B	1.00	0.94	0.96
MVC12BN21	CF42B	1.00	0.94	0.96
MVC14DN21	CF/CM36D	1.00	1.00	0.93
MVC14DN21	CF/CM42D	1.00	0.98	0.91
MVC14DN21	CF/CM48D	1.00	0.98	0.91
MVC14DN21	CF/CM60D	1.00	0.97	0.91
MVC16CN21	CF/CM36C	1.00	0.96	0.94
MVC16CN21	CF/CM42C	1.00	0.93	0.93
MVC16CN21	CF/CM48C	1.00	0.98	0.91

COIL MULTIPLIERS- 3 TON

Air Handler	Coil	T.C.	S.C.	KW
MVC16CN21	CF/CM60C	1.00	1.00	0.91
MVC20DN21	CF/CM36D	1.00	1.00	0.91
MVC20DN21	CF/CM42D	1.00	0.99	0.93
MVC20DN21	CF/CM48D	1.00	0.98	0.91
MVC20DN21	CF/CM60D	1.00	1.00	0.89

FURNACE MULTIPLIERS- 3 TON

Furnaces	Coil	T.C.	S.C.	KW
TL8E060A12UH11	CF/CM/CU36B	0.96	1.03	0.96
TL8E060A12UH11	CF42B	0.98	1.02	0.95
TL8E080C16UH11	CF/CM/CU36C	0.96	1.08	0.91
TL8E080C16UH11	CF/CM/CU42C	0.98	1.07	0.91
TL8E080C16UH11	CF/CM/CU48C	1.00	1.09	0.93
TL8E080C16UH11	CF/CM/CU48D	1.00	1.09	0.93
TL8E080C16UH11	CF/CM/CU60C	1.00	1.07	0.93
TL8E080C16UH11	CF/CM/CU60D	1.00	1.07	0.93
TL8E080C16UH11	CF/CM36D	0.96	1.08	0.91
TL8E080C16UH11	CF/CM42D	0.98	1.07	0.91
TL8E100C20UH11	CF/CM/CU36C	0.96	1.04	0.91
TL8E100C20UH11	CF/CM/CU42C	0.98	1.05	0.91
TL8E100C20UH11	CF/CM/CU48C	1.00	1.05	0.91
TL8E100C20UH11	CF/CM/CU48D	1.00	1.05	0.91
TL8E100C20UH11	CF/CM/CU60C	1.00	1.03	0.91
TL8E100C20UH11	CF/CM/CU60D	1.00	1.05	0.91
TL8E100C20UH11	CF/CM36D	0.96	1.04	0.89
TL8E100C20UH11	CF/CM42D	0.98	1.05	0.90
TL9E060B12UH11	CF/CM/CU36B	0.96	1.03	0.98
TL9E060B12UH11	CF/CM/CU36C	0.96	1.03	0.98
TL9E060B12UH11	CF/CM/CU42C	0.98	1.03	0.96
TL9E060B12UH11	CF/CM/CU48C	1.00	1.03	0.98
TL9E060B12UH11	CF/CM/CU60C	1.00	1.02	1.00
TL9E060B12UH11	CF42B	0.98	1.02	0.98
TL9E080C16UH11	CF/CM/CU36C	0.96	1.05	0.94
TL9E080C16UH11	CF/CM/CU42C	0.98	1.06	0.93
TL9E080C16UH11	CF/CM/CU48C	1.00	1.06	0.93
TL9E080C16UH11	CF/CM/CU48D	1.00	1.07	0.94
TL9E080C16UH11	CF/CM/CU60C	1.00	1.05	0.94
TL9E080C16UH11	CF/CM/CU60D	1.00	1.05	0.94
TL9E080C16UH11	CF/CM36D	0.96	1.06	0.91
TL9E080C16UH11	CF/CM42D	0.98	1.06	0.93
TL9E100C20UH11	CF/CM/CU36C	0.96	1.08	0.91
TL9E100C20UH11	CF/CM/CU42C	0.98	1.07	0.91
TL9E100C20UH11	CF/CM/CU48C	1.00	1.09	0.91
TL9E100C20UH11	CF/CM/CU48D	1.00	1.09	0.91
TL9E100C20UH11	CF/CM/CU60C	1.00	1.06	0.93
TL9E100C20UH11	CF/CM/CU60D	1.00	1.07	0.93
TL9E100C20UH11	CF/CM36D	0.96	1.10	0.91
TL9E100C20UH11	CF/CM42D	0.98	1.09	0.91
TM8E040A12MP11	CF/CM/CU36B	0.96	1.03	0.94
TM8E040A12MP11	CF42B	0.98	1.00	0.95
TM8E060A12MP11	CF/CM/CU36B	0.96	1.03	0.94
TM8E060A12MP11	CF42B	0.98	1.00	0.95
TM8E080B12MP11	CF/CM/CU36B	0.96	1.03	0.94
TM8E080B12MP11	CF/CM/CU36C	0.96	1.03	0.94

FURNACE MULTIPLIERS- 3 TON (Continued)

Furnaces	Coil	T.C.	S.C.	KW
TM8E080B12MP11	CF/CM/CU42C	0.98	1.04	0.93
TM8E080B12MP11	CF/CM/CU48C	1.00	1.04	0.94
TM8E080B12MP11	CF/CM/CU60C	1.00	1.03	0.96
TM8E080B12MP11	CF42B	0.98	1.02	0.95
TM8E080C16MP11	CF/CM/CU36C	0.96	1.06	0.91
TM8E080C16MP11	CF/CM/CU42C	0.98	1.06	0.91
TM8E080C16MP11	CF/CM/CU48C	1.00	1.07	0.93
TM8E080C16MP11	CF/CM/CU48D	1.00	1.07	0.93
TM8E080C16MP11	CF/CM/CU60C	1.00	1.13	0.94
TM8E080C16MP11	CF/CM/CU60D	1.00	1.06	0.93
TM8E080C16MP11	CF/CM36D	0.96	1.08	0.91
TM8E080C16MP11	CF/CM42D	0.98	1.07	0.91
TM8E080C20MP11	CF/CM/CU36C	0.96	1.13	0.91
TM8E080C20MP11	CF/CM/CU42C	0.98	1.13	0.91
TM8E080C20MP11	CF/CM/CU48C	1.00	1.13	0.93
TM8E080C20MP11	CF/CM/CU48D	1.00	1.16	0.93
TM8E080C20MP11	CF/CM/CU60C	1.00	1.12	0.93
TM8E080C20MP11	CF/CM/CU60D	1.00	1.14	0.93
TM8E080C20MP11	CF/CM36D	0.96	1.14	0.91
TM8E080C20MP11	CF/CM42D	0.98	1.15	0.91
TM8E100B12MP11	CF/CM/CU36B	0.96	1.05	0.94
TM8E100B12MP11	CF/CM/CU36C	0.96	1.06	0.94
TM8E100B12MP11	CF/CM/CU42C	0.98	1.05	0.93
TM8E100B12MP11	CF/CM/CU48C	1.00	1.08	0.94
TM8E100B12MP11	CF/CM/CU60C	1.00	1.04	0.96
TM8E100B12MP11	CF42B	0.98	1.03	0.95
TM8E100C16MP11	CF/CM/CU36C	0.96	1.08	0.91
TM8E100C16MP11	CF/CM/CU42C	0.98	1.07	0.91
TM8E100C16MP11	CF/CM/CU48C	1.00	1.09	0.93
TM8E100C16MP11	CF/CM/CU48D	1.00	1.09	0.93
TM8E100C16MP11	CF/CM/CU60C	1.00	1.07	0.93
TM8E100C16MP11	CF/CM/CU60D	1.00	1.07	0.93
TM8E100C16MP11	CF/CM36D	0.96	1.08	0.91
TM8E100C16MP11	CF/CM42D	0.98	1.07	0.91
TM8E100C20MP11	CF/CM/CU36C	0.96	1.13	0.91
TM8E100C20MP11	CF/CM/CU42C	0.98	1.13	0.91
TM8E100C20MP11	CF/CM/CU48C	1.00	1.13	0.93
TM8E100C20MP11	CF/CM/CU48D	1.00	1.16	0.93
TM8E100C20MP11	CF/CM/CU60C	1.00	1.12	0.93
TM8E100C20MP11	CF/CM/CU60D	1.00	1.14	0.93
TM8E100C20MP11	CF/CM36D	0.96	1.14	0.91
TM8E100C20MP11	CF/CM42D	0.98	1.15	0.91
TM8E120C16MP11	CF/CM/CU36C	0.96	1.08	0.91
TM8E120C16MP11	CF/CM/CU42C	0.98	1.07	0.91
TM8E120C16MP11	CF/CM/CU48C	1.00	1.09	0.93
TM8E120C16MP11	CF/CM/CU48D	1.00	1.09	0.93
TM8E120C16MP11	CF/CM/CU60C	1.00	1.07	0.93
TM8E120C16MP11	CF/CM/CU60D	1.00	1.07	0.93
TM8E120C16MP11	CF/CM36D	0.96	1.08	0.91
TM8E120C16MP11	CF/CM42D	0.98	1.07	0.91
TM8E120C20MP11	CF/CM/CU36C	0.96	1.14	0.92
TM8E120C20MP11	CF/CM/CU42C	0.98	1.15	0.91
TM8E120C20MP11	CF/CM/CU48C	1.00	1.16	0.91
TM8E120C20MP11	CF/CM/CU48D	1.00	1.16	0.93
TM8E120C20MP11	CF/CM/CU60C	1.00	1.15	0.93

FURNACE MULTIPLIERS- 3 TON (Continued)

Furnaces	Coil	T.C.	S.C.	KW
TM8E120C20MP11	CF/CM/CU60D	1.00	1.11	0.93
TM8E120C20MP11	CF/CM36D	0.96	1.07	0.94
TM8E120C20MP11	CF/CM42D	0.98	1.17	0.91
TM8E130D20MP11	CF/CM/CU48D	1.00	1.16	0.91
TM8E130D20MP11	CF/CM/CU60D	1.00	1.11	0.91
TM8E130D20MP11	CF/CM36D	0.96	1.07	0.94
TM8E130D20MP11	CF/CM42D	0.98	1.17	0.91
TM8V080C16MP11C	CF/CM/CU36C	0.96	0.99	0.91
TM8V080C16MP11C	CF/CM/CU42C	1.00	1.00	0.94
TM8V080C16MP11C	CF/CM/CU48C	1.00	1.01	0.93
TM8V080C16MP11C	CF/CM/CU48D	1.00	1.00	0.93
TM8V080C16MP11C	CF/CM/CU60C	1.00	1.00	0.93
TM8V080C16MP11C	CF/CM/CU60D	1.00	1.01	0.91
TM8V080C16MP12C	CF/CM/CU36C	0.96	1.08	0.91
TM8V080C16MP12C	CF/CM/CU42C	1.00	1.10	0.94
TM8V080C16MP12C	CF/CM/CU48C	1.00	1.07	0.93
TM8V080C16MP12C	CF/CM/CU60C	1.00	1.11	0.93
TM8V100C16MP11C	CF/CM/CU36C	0.96	0.99	0.91
TM8V100C16MP11C	CF/CM/CU42C	1.00	1.00	0.94
TM8V100C16MP11C	CF/CM/CU48C	1.00	1.01	0.93
TM8V100C16MP11C	CF/CM/CU48D	1.00	1.00	0.93
TM8V100C16MP11C	CF/CM/CU60C	1.00	1.00	0.93
TM8V100C16MP11C	CF/CM/CU60D	1.00	1.01	0.91
TM8V100C16MP12C	CF/CM/CU36C	0.96	1.08	0.91
TM8V100C16MP12C	CF/CM/CU42C	1.00	1.10	0.94
TM8V100C16MP12C	CF/CM/CU48C	1.00	1.07	0.93
TM8V100C16MP12C	CF/CM/CU60C	1.00	1.11	0.93
TM8V100C20MP11C	CF/CM/CU36C	0.96	1.03	0.91
TM8V100C20MP11C	CF/CM/CU42C	1.00	1.03	0.94
TM8V100C20MP11C	CF/CM/CU48C	1.00	1.08	0.93
TM8V100C20MP11C	CF/CM/CU48D	1.00	1.02	0.94
TM8V100C20MP11C	CF/CM/CU60C	1.00	1.07	0.93
TM8V100C20MP11C	CF/CM/CU60D	1.00	1.07	0.94
TM8V100C20MP12C	CF/CM/CU36C	0.97	1.08	0.91
TM8V100C20MP12C	CF/CM/CU42C	1.00	1.12	0.94
TM8V100C20MP12C	CF/CM/CU48C	1.00	1.08	0.93
TM8V100C20MP12C	CF/CM/CU60C	1.00	1.13	0.93
TM8V120C20MP11C	CF/CM/CU36C	0.96	1.03	0.91
TM8V120C20MP11C	CF/CM/CU42C	1.00	1.03	0.94
TM8V120C20MP11C	CF/CM/CU48C	1.00	1.08	0.93
TM8V120C20MP11C	CF/CM/CU48D	1.00	1.02	0.94
TM8V120C20MP11C	CF/CM/CU60C	1.00	1.07	0.93
TM8V120C20MP11C	CF/CM/CU60D	1.00	1.07	0.94
TM8V120C20MP11C	CF/CM/CU60D	1.00	1.07	0.94
TM8V120C20MP12C	CF/CM/CU36C	0.97	1.08	0.91
TM8V120C20MP12C	CF/CM/CU42C	1.00	1.12	0.94
TM8V120C20MP12C	CF/CM/CU48C	1.00	1.08	0.93
TM8V120C20MP12C	CF/CM/CU60C	1.00	1.13	0.93
TM8X060A12MP11	CF/CM36A	0.96	0.94	0.92
TM8X080B12MP11	CF/CM/CU36B	0.96	0.96	0.91
TM8X080B12MP11	CF42B	0.98	0.96	0.93
TM8X080C16MP11	CF/CM/CU36C	0.96	1.00	0.89
TM8X080C16MP11	CF/CM/CU42C	0.98	0.99	0.91
TM8X080C16MP11	CF/CM/CU48C	1.00	1.00	0.91
TM8X080C16MP11	CF/CM/CU48D	1.00	1.01	0.91
TM8X080C16MP11	CF/CM/CU60C	1.00	1.00	0.91

FURNACE MULTIPLIERS- 3 TON (Continued)

Furnaces	Coil	T.C.	S.C.	KW
TM8X080C16MP11	CF/CM/CU60D	1.00	1.01	0.91
TM8X080C16MP11	CF/CM36D	0.96	1.00	0.89
TM8X080C16MP11	CF/CM42D	0.98	1.00	0.90
TM8X100C16MP11	CF/CM/CU36C	0.96	1.00	0.89
TM8X100C16MP11	CF/CM/CU42C	0.98	0.99	0.91
TM8X100C16MP11	CF/CM/CU48C	1.00	1.00	0.91
TM8X100C16MP11	CF/CM/CU48D	1.00	1.01	0.91
TM8X100C16MP11	CF/CM/CU60C	1.00	1.00	0.91
TM8X100C16MP11	CF/CM/CU60D	1.00	1.01	0.91
TM8X100C16MP11	CF/CM36D	0.96	1.00	0.89
TM8X100C16MP11	CF/CM42D	0.98	1.00	0.90
TM8X100C20MP11	CF/CM/CU36C	0.96	1.00	0.89
TM8X100C20MP11	CF/CM/CU42C	0.98	1.00	0.90
TM8X100C20MP11	CF/CM/CU48C	1.00	1.01	0.91
TM8X100C20MP11	CF/CM/CU48D	1.00	1.02	0.91
TM8X100C20MP11	CF/CM/CU60C	1.00	1.01	0.89
TM8X100C20MP11	CF/CM/CU60D	1.00	1.01	0.89
TM8X100C20MP11	CF/CM36D	0.96	1.00	0.89
TM8X100C20MP11	CF/CM42D	0.98	1.01	0.90
TM8X120C20MP11	CF/CM/CU36C	0.96	1.00	0.89
TM8X120C20MP11	CF/CM/CU42C	0.98	1.00	0.90
TM8X120C20MP11	CF/CM/CU48C	1.00	1.01	0.91
TM8X120C20MP11	CF/CM/CU48D	1.00	1.02	0.91
TM8X120C20MP11	CF/CM/CU60C	1.00	1.01	0.89
TM8X120C20MP11	CF/CM/CU60D	1.00	1.01	0.89
TM8X120C20MP11	CF/CM36D	0.96	1.00	0.89
TM8X120C20MP11	CF/CM42D	0.98	1.01	0.90
TM8Y060A12MP11	CF/CM36A	0.96	0.94	0.92
TM8Y080B12MP11	CF/CM/CU36B	0.96	0.96	0.91
TM8Y080B12MP11	CF42B	0.98	0.96	0.93
TM8Y080C16MP11	CF/CM/CU36C	0.96	1.00	0.89
TM8Y080C16MP11	CF/CM/CU42C	0.98	0.99	0.91
TM8Y080C16MP11	CF/CM/CU48C	1.00	1.00	0.91
TM8Y080C16MP11	CF/CM/CU48D	1.00	1.01	0.91
TM8Y080C16MP11	CF/CM/CU60C	1.00	1.00	0.91
TM8Y080C16MP11	CF/CM/CU60D	1.00	1.01	0.91
TM8Y080C16MP11	CF/CM36D	0.96	1.00	0.89
TM8Y080C16MP11	CF/CM42D	0.98	1.00	0.90
TM8Y100C16MP11	CF/CM/CU36C	0.96	1.00	0.89
TM8Y100C16MP11	CF/CM/CU42C	0.98	0.99	0.91
TM8Y100C16MP11	CF/CM/CU48C	1.00	1.00	0.91
TM8Y100C16MP11	CF/CM/CU48D	1.00	1.01	0.91
TM8Y100C16MP11	CF/CM/CU60C	1.00	1.00	0.91
TM8Y100C16MP11	CF/CM/CU60D	1.00	1.01	0.91
TM8Y100C16MP11	CF/CM36D	0.96	1.00	0.89
TM8Y100C16MP11	CF/CM42D	0.98	1.00	0.90
TM8Y100C20MP11	CF/CM/CU36C	0.96	1.00	0.89
TM8Y100C20MP11	CF/CM/CU42C	0.98	1.00	0.90
TM8Y100C20MP11	CF/CM/CU48C	1.00	1.01	0.91
TM8Y100C20MP11	CF/CM/CU48D	1.00	1.02	0.91
TM8Y100C20MP11	CF/CM/CU60C	1.00	1.01	0.89
TM8Y100C20MP11	CF/CM/CU60D	1.00	1.01	0.89
TM8Y100C20MP11	CF/CM36D	0.96	1.00	0.89
TM8Y100C20MP11	CF/CM42D	0.98	1.01	0.90
TM8Y120C20MP11	CF/CM/CU36C	0.96	1.00	0.89

FURNACE MULTIPLIERS- 3 TON (Continued)

Furnaces	Coil	T.C.	S.C.	KW
TM8Y120C20MP11	CF/CM/CU42C	0.98	1.00	0.90
TM8Y120C20MP11	CF/CM/CU48C	1.00	1.01	0.91
TM8Y120C20MP11	CF/CM/CU48D	1.00	1.02	0.91
TM8Y120C20MP11	CF/CM/CU60C	1.00	1.01	0.89
TM8Y120C20MP11	CF/CM/CU60D	1.00	1.01	0.89
TM8Y120C20MP11	CF/CM36D	0.96	1.00	0.89
TM8Y120C20MP11	CF/CM42D	0.98	1.01	0.90
TM9E060A10MP12	CF/CM/CU36B	0.96	1.02	0.98
TM9E060A10MP12	CF42B	0.98	1.02	1.00
TM9E060B12MP11	CF/CM/CU36B	0.96	1.05	0.98
TM9E060B12MP11	CF/CM/CU36C	0.96	1.00	0.98
TM9E060B12MP11	CF/CM/CU42C	0.98	0.99	0.98
TM9E060B12MP11	CF/CM/CU48C	1.00	1.01	0.98
TM9E060B12MP11	CF/CM/CU60C	1.00	0.98	0.98
TM9E060B12MP11	CF42B	0.98	1.05	0.98
TM9E060B12MP12	CF/CM/CU36B	0.96	1.05	0.98
TM9E060B12MP12	CF/CM/CU36C	0.96	1.05	0.98
TM9E060B12MP12	CF/CM/CU42C	0.98	1.05	0.98
TM9E060B12MP12	CF/CM/CU48C	1.00	1.06	0.98
TM9E060B12MP12	CF/CM/CU60C	1.00	1.04	1.00
TM9E060B12MP12	CF42B	0.98	1.03	0.98
TM9E080B12MP11	CF/CM/CU36B	0.96	0.94	0.92
TM9E080B12MP11	CF42B	0.98	0.96	0.95
TM9E080B12MP12	CF/CM/CU36B	0.96	1.03	0.96
TM9E080B12MP12	CF/CM/CU36C	0.96	1.05	0.94
TM9E080B12MP12	CF/CM/CU42C	0.98	1.05	0.95
TM9E080B12MP12	CF/CM/CU48C	1.00	1.06	0.96
TM9E080B12MP12	CF/CM/CU60C	1.00	1.04	0.96
TM9E080B12MP12	CF42B	0.98	1.02	0.96
TM9E080C16MP11	CF/CM/CU36C	0.96	1.01	0.91
TM9E080C16MP11	CF/CM/CU42C	0.98	1.00	0.93
TM9E080C16MP11	CF/CM/CU48C	1.00	1.00	0.93
TM9E080C16MP11	CF/CM/CU48D	1.00	1.00	0.93
TM9E080C16MP11	CF/CM/CU60C	1.00	0.99	0.93
TM9E080C16MP11	CF/CM/CU60D	1.00	1.00	0.93
TM9E080C16MP11	CF/CM36D	0.96	1.01	0.91
TM9E080C16MP11	CF/CM42D	0.98	1.00	0.91
TM9E080C16MP12	CF/CM/CU36C	0.96	1.05	0.94
TM9E080C16MP12	CF/CM/CU42C	0.98	1.06	0.93
TM9E080C16MP12	CF/CM/CU48C	1.00	1.07	0.93
TM9E080C16MP12	CF/CM/CU48D	1.00	1.07	0.94
TM9E080C16MP12	CF/CM/CU60C	1.00	1.05	0.94
TM9E080C16MP12	CF/CM/CU60D	1.00	1.05	0.94
TM9E080C16MP12	CF/CM36D	0.96	1.06	0.91
TM9E080C16MP12	CF/CM42D	0.98	1.06	0.93
TM9E080C20MP12	CF/CM/CU36C	0.96	1.12	0.91
TM9E080C20MP12	CF/CM/CU42C	0.98	1.11	0.91
TM9E080C20MP12	CF/CM/CU48C	1.00	1.13	0.93
TM9E080C20MP12	CF/CM/CU48D	1.00	1.13	0.93
TM9E080C20MP12	CF/CM/CU60C	1.00	1.10	0.93
TM9E080C20MP12	CF/CM/CU60D	1.00	1.12	0.93
TM9E080C20MP12	CF/CM36D	0.96	1.13	0.91
TM9E080C20MP12	CF/CM42D	0.98	1.13	0.90
TM9E100C16MP11	CF/CM/CU36C	0.96	0.99	0.91
TM9E100C16MP11	CF/CM/CU42C	0.98	1.00	0.91

FURNACE MULTIPLIERS- 3 TON (Continued)

Furnaces	Coil	T.C.	S.C.	KW
TM9E100C16MP11	CF/CM/CU48C	1.00	1.01	0.93
TM9E100C16MP11	CF/CM/CU48D	1.00	1.01	0.91
TM9E100C16MP11	CF/CM/CU60C	1.00	1.01	0.91
TM9E100C16MP11	CF/CM/CU60D	1.00	1.01	0.91
TM9E100C16MP11	CF/CM36D	0.96	1.00	0.91
TM9E100C16MP11	CF/CM42D	0.98	1.00	0.91
TM9E100C16MP12	CF/CM/CU36C	0.96	1.06	0.91
TM9E100C16MP12	CF/CM/CU42C	0.98	1.06	0.91
TM9E100C16MP12	CF/CM/CU48C	1.00	1.06	0.93
TM9E100C16MP12	CF/CM/CU48D	1.00	1.06	0.93
TM9E100C16MP12	CF/CM/CU60C	1.00	1.04	0.93
TM9E100C16MP12	CF/CM/CU60D	1.00	1.04	0.94
TM9E100C16MP12	CF/CM36D	0.96	1.06	0.91
TM9E100C16MP12	CF/CM42D	0.98	1.05	0.91
TM9E100C20MP11	CF/CM/CU36C	0.96	0.96	0.89
TM9E100C20MP11	CF/CM/CU42C	0.98	0.97	0.91
TM9E100C20MP11	CF/CM/CU48C	1.00	0.97	0.91
TM9E100C20MP11	CF/CM/CU48D	1.00	0.97	0.91
TM9E100C20MP11	CF/CM/CU60C	1.00	1.08	0.91
TM9E100C20MP11	CF/CM/CU60D	1.00	0.97	0.91
TM9E100C20MP11	CF/CM36D	0.96	0.96	0.89
TM9E100C20MP11	CF/CM42D	0.98	0.97	0.91
TM9E100C20MP12	CF/CM/CU36C	0.96	1.11	0.91
TM9E100C20MP12	CF/CM/CU42C	0.98	1.11	0.91
TM9E100C20MP12	CF/CM/CU48C	1.00	1.13	0.93
TM9E100C20MP12	CF/CM/CU48D	1.00	1.13	0.93
TM9E100C20MP12	CF/CM/CU60C	1.00	1.10	0.91
TM9E100C20MP12	CF/CM/CU60D	1.00	1.14	0.93
TM9E100C20MP12	CF/CM36D	0.96	1.13	0.91
TM9E100C20MP12	CF/CM42D	0.98	1.11	0.91
TM9E120D20MP11	CF/CM/CU48D	1.00	0.97	0.91
TM9E120D20MP11	CF/CM/CU60D	1.00	0.97	0.89
TM9E120D20MP11	CF/CM36D	0.96	0.96	0.88
TM9E120D20MP11	CF/CM42D	0.98	0.97	0.90
TM9E120D20MP12	CF/CM/CU48D	1.00	1.13	0.93
TM9E120D20MP12	CF/CM/CU60D	1.00	1.12	0.93
TM9E120D20MP12	CF/CM36D	0.96	1.13	0.91
TM9E120D20MP12	CF/CM42D	0.98	1.13	0.91
TM9V060B12MP11C	CF/CM/CU36B	0.96	0.99	0.92
TM9V060B12MP11C	CF/CM/CU36C	0.96	1.00	0.98
TM9V060B12MP11C	CF/CM/CU42C	0.98	1.00	0.96
TM9V060B12MP11C	CF/CM/CU48C	1.00	1.02	0.98
TM9V060B12MP11C	CF/CM/CU60C	1.00	1.00	0.98
TM9V060B12MP11C	CF42B	0.98	0.98	0.93
TM9V060B12MP12C	CF/CM/CU36B	0.96	1.00	0.96
TM9V060B12MP12C	CF/CM/CU36C	0.96	1.00	0.98
TM9V060B12MP12C	CF/CM/CU42C	0.98	1.00	0.96
TM9V060B12MP12C	CF/CM/CU48C	1.00	1.02	0.98
TM9V060B12MP12C	CF/CM/CU60C	1.00	1.00	0.98
TM9V060B12MP12C	CF42B	0.98	1.00	0.96
TM9V080B12MP11C	CF/CM/CU36B	0.96	0.99	0.92
TM9V080B12MP11C	CF42B	0.98	0.98	0.93
TM9V080B12MP12C	CF/CM/CU36B	0.97	1.10	0.94
TM9V080B12MP12C	CF42B	0.98	1.00	0.95
TM9V080C16MP11C	CF/CM/CU36C	0.96	0.97	0.89

FURNACE MULTIPLIERS- 3 TON (Continued)

Furnaces	Coil	T.C.	S.C.	KW
TM9V080C16MP11C	CF/CM/CU42C	0.98	0.96	0.91
TM9V080C16MP11C	CF/CM/CU48C	1.00	1.08	0.94
TM9V080C16MP11C	CF/CM/CU48D	1.00	1.06	0.91
TM9V080C16MP11C	CF/CM/CU60C	1.00	1.06	0.91
TM9V080C16MP11C	CF/CM/CU60D	1.00	1.00	0.91
TM9V100C16MP11C	CF/CM/CU36C	0.96	0.97	0.89
TM9V100C16MP11C	CF/CM/CU42C	0.98	0.96	0.91
TM9V100C16MP11C	CF/CM/CU48C	1.00	1.08	0.94
TM9V100C16MP11C	CF/CM/CU48D	1.00	1.06	0.91
TM9V100C16MP11C	CF/CM/CU60C	1.00	1.06	0.91
TM9V100C16MP11C	CF/CM/CU60D	1.00	1.00	0.91
TM9V100C16MP12C	CF/CM/CU36C	0.99	1.11	0.92
TM9V100C16MP12C	CF/CM/CU42C	1.00	1.09	0.93
TM9V100C16MP12C	CF/CM/CU48C	1.00	1.10	0.93
TM9V100C16MP12C	CF/CM/CU60C	1.00	1.10	0.91
TM9V100C20MP11C	CF/CM/CU36C	0.96	0.99	0.91
TM9V100C20MP11C	CF/CM/CU42C	0.98	1.06	0.95
TM9V100C20MP11C	CF/CM/CU48C	1.00	1.04	0.94
TM9V100C20MP11C	CF/CM/CU48D	1.00	1.08	0.94
TM9V100C20MP11C	CF/CM/CU60C	1.00	1.05	0.94
TM9V100C20MP11C	CF/CM/CU60D	1.00	1.05	0.93
TM9V100C20MP12C	CF/CM/CU36C	0.98	1.12	0.92
TM9V100C20MP12C	CF/CM/CU42C	0.98	1.12	0.93
TM9V100C20MP12C	CF/CM/CU48C	1.00	1.13	0.94
TM9V100C20MP12C	CF/CM/CU60C	1.00	1.13	0.94
TM9V120D20MP11C	CF/CM/CU48D	1.00	1.06	0.93
TM9V120D20MP11C	CF/CM/CU60D	1.00	1.09	0.91
TM9V120D20MP11C	CF/CM36D	0.96	1.00	0.88
TM9V120D20MP11C	CF/CM42D	0.98	1.03	0.91
TM9V120D20MP12C	CF/CM/CU36D	0.96	1.11	0.86
TM9V120D20MP12C	CF/CM/CU42D	0.99	1.10	0.92
TM9V120D20MP12C	CF/CM/CU48D	1.00	1.12	0.93
TM9V120D20MP12C	CF/CM/CU60D	1.00	1.13	0.91
TM9Y060B12MP11	CF/CM/CU36B	0.96	1.05	0.98
TM9Y060B12MP11	CF/CM/CU36C	0.96	1.00	0.98
TM9Y060B12MP11	CF/CM/CU42C	0.98	0.99	0.98
TM9Y060B12MP11	CF/CM/CU48C	1.00	1.01	0.98
TM9Y060B12MP11	CF/CM/CU60C	1.00	0.98	0.98
TM9Y060B12MP11	CF42B	0.98	1.05	0.98
TM9Y080B12MP11	CF/CM/CU36B	0.96	0.94	0.92
TM9Y080B12MP11	CF42B	0.98	0.96	0.95
TM9Y080C16MP11	CF/CM/CU36C	0.96	1.01	0.91
TM9Y080C16MP11	CF/CM/CU42C	0.98	1.00	0.93
TM9Y080C16MP11	CF/CM/CU48C	1.00	1.00	0.93
TM9Y080C16MP11	CF/CM/CU48D	1.00	1.00	0.93
TM9Y080C16MP11	CF/CM/CU60C	1.00	0.99	0.93
TM9Y080C16MP11	CF/CM/CU60D	1.00	1.00	0.93
TM9Y080C16MP11	CF/CM36D	0.96	1.01	0.91
TM9Y080C16MP11	CF/CM42D	0.98	1.00	0.91
TM9Y100C16MP11	CF/CM/CU36C	0.96	0.99	0.91
TM9Y100C16MP11	CF/CM/CU42C	0.98	1.00	0.91
TM9Y100C16MP11	CF/CM/CU48C	1.00	1.01	0.93
TM9Y100C16MP11	CF/CM/CU48D	1.00	1.01	0.91
TM9Y100C16MP11	CF/CM/CU60C	1.00	1.01	0.91
TM9Y100C16MP11	CF/CM/CU60D	1.00	1.01	0.91

FURNACE MULTIPLIERS- 3 TON (Continued)

Furnaces	Coil	T.C.	S.C.	KW
TM9Y100C16MP11	CF/CM36D	0.96	1.00	0.91
TM9Y100C16MP11	CF/CM42D	0.98	1.00	0.91
TM9Y100C20MP11	CF/CM/CU36C	0.96	0.96	0.89
TM9Y100C20MP11	CF/CM/CU42C	0.98	0.97	0.91
TM9Y100C20MP11	CF/CM/CU48C	1.00	0.97	0.91
TM9Y100C20MP11	CF/CM/CU48D	1.00	0.97	0.91
TM9Y100C20MP11	CF/CM/CU60C	1.00	1.08	0.91
TM9Y100C20MP11	CF/CM/CU60D	1.00	0.97	0.91
TM9Y100C20MP11	CF/CM36D	0.96	0.96	0.89
TM9Y100C20MP11	CF/CM42D	0.98	0.97	0.91
TM9Y120D20MP11	CF/CM/CU48D	1.00	0.97	0.91
TM9Y120D20MP11	CF/CM/CU60D	1.00	0.97	0.89
TM9Y120D20MP11	CF/CM36D	0.96	0.96	0.88
TM9Y120D20MP11	CF/CM42D	0.98	0.97	0.90
TMLE040A12MP11	CF/CM/CU36B	0.96	1.03	0.94
TMLE040A12MP11	CF42B	0.98	1.00	0.95
TMLE060A12MP11	CF/CM/CU36B	0.96	1.03	0.94
TMLE060A12MP11	CF42B	0.98	1.00	0.95
TMLE080B12MP11	CF/CM/CU36B	0.96	1.03	0.94
TMLE080B12MP11	CF/CM/CU36C	0.96	1.03	0.94
TMLE080B12MP11	CF/CM/CU42C	0.98	1.04	0.93
TMLE080B12MP11	CF/CM/CU48C	1.00	1.04	0.94
TMLE080B12MP11	CF/CM/CU60C	1.00	1.03	0.96
TMLE080B12MP11	CF42B	0.98	1.02	0.95
TMLE080C16MP11	CF/CM/CU36C	0.96	1.06	0.91
TMLE080C16MP11	CF/CM/CU42C	0.98	1.06	0.91
TMLE080C16MP11	CF/CM/CU48C	1.00	1.07	0.93
TMLE080C16MP11	CF/CM/CU48D	1.00	1.07	0.93
TMLE080C16MP11	CF/CM/CU60C	1.00	1.13	0.94
TMLE080C16MP11	CF/CM/CU60D	1.00	1.06	0.93
TMLE080C16MP11	CF/CM36D	0.96	1.08	0.91
TMLE080C16MP11	CF/CM42D	0.98	1.07	0.91
TMLE080C20MP11	CF/CM/CU36C	0.96	1.13	0.91
TMLE080C20MP11	CF/CM/CU42C	0.98	1.13	0.91
TMLE080C20MP11	CF/CM/CU48C	1.00	1.13	0.93
TMLE080C20MP11	CF/CM/CU48D	1.00	1.16	0.93
TMLE080C20MP11	CF/CM/CU60C	1.00	1.12	0.93
TMLE080C20MP11	CF/CM/CU60D	1.00	1.14	0.93
TMLE080C20MP11	CF/CM36D	0.96	1.14	0.91
TMLE080C20MP11	CF/CM42D	0.98	1.15	0.91
TMLE100B12MP11	CF/CM/CU36B	0.96	1.05	0.94
TMLE100B12MP11	CF/CM/CU36C	0.96	1.06	0.94
TMLE100B12MP11	CF/CM/CU42C	0.98	1.05	0.93
TMLE100B12MP11	CF/CM/CU48C	1.00	1.08	0.94
TMLE100B12MP11	CF/CM/CU60C	1.00	1.04	0.96
TMLE100B12MP11	CF42B	0.98	1.03	0.95
TMLE100C16MP11	CF/CM/CU36C	0.96	1.08	0.91
TMLE100C16MP11	CF/CM/CU42C	0.98	1.07	0.91
TMLE100C16MP11	CF/CM/CU48C	1.00	1.09	0.93
TMLE100C16MP11	CF/CM/CU48D	1.00	1.09	0.93
TMLE100C16MP11	CF/CM/CU60C	1.00	1.07	0.93
TMLE100C16MP11	CF/CM/CU60D	1.00	1.07	0.93
TMLE100C16MP11	CF/CM36D	0.96	1.08	0.91
TMLE100C16MP11	CF/CM42D	0.98	1.07	0.91
TMLE100C20MP11	CF/CM/CU36C	0.96	1.13	0.91

FURNACE MULTIPLIERS- 3 TON (Continued)

Furnaces	Coil	T.C.	S.C.	KW
TMLE100C20MP11	CF/CM/CU42C	0.98	1.13	0.91
TMLE100C20MP11	CF/CM/CU48C	1.00	1.13	0.93
TMLE100C20MP11	CF/CM/CU48D	1.00	1.16	0.93
TMLE100C20MP11	CF/CM/CU60C	1.00	1.12	0.93
TMLE100C20MP11	CF/CM/CU60D	1.00	1.14	0.93
TMLE100C20MP11	CF/CM36D	0.96	1.14	0.91
TMLE100C20MP11	CF/CM42D	0.98	1.15	0.91
TMLE120C16MP11	CF/CM/CU36C	0.96	1.08	0.91
TMLE120C16MP11	CF/CM/CU42C	0.98	1.07	0.91
TMLE120C16MP11	CF/CM/CU48C	1.00	1.09	0.93
TMLE120C16MP11	CF/CM/CU48D	1.00	1.09	0.93
TMLE120C16MP11	CF/CM/CU60C	1.00	1.07	0.93
TMLE120C16MP11	CF/CM/CU60D	1.00	1.07	0.93
TMLE120C16MP11	CF/CM36D	0.96	1.08	0.91
TMLE120C16MP11	CF/CM42D	0.98	1.07	0.91
TMLE120C20MP11	CF/CM/CU36C	0.96	1.14	0.92
TMLE120C20MP11	CF/CM/CU42C	0.98	1.15	0.91
TMLE120C20MP11	CF/CM/CU48C	1.00	1.16	0.91
TMLE120C20MP11	CF/CM/CU48D	1.00	1.16	0.93
TMLE120C20MP11	CF/CM/CU60C	1.00	1.15	0.93
TMLE120C20MP11	CF/CM/CU60D	1.00	1.11	0.93
TMLE120C20MP11	CF/CM36D	0.96	1.07	0.94
TMLE120C20MP11	CF/CM42D	0.98	1.17	0.91
TMLE130D20MP11	CF/CM/CU48D	1.00	1.16	0.91
TMLE130D20MP11	CF/CM/CU60D	1.00	1.11	0.91
TMLE130D20MP11	CF/CM36D	0.96	1.07	0.94
TMLE130D20MP11	CF/CM42D	0.98	1.17	0.91
TMLV080C16MP11C	CF/CM/CU36C	0.96	0.99	0.91
TMLV080C16MP11C	CF/CM/CU42C	1.00	1.00	0.94
TMLV080C16MP11C	CF/CM/CU48C	1.00	1.01	0.93
TMLV080C16MP11C	CF/CM/CU48D	1.00	1.00	0.93
TMLV080C16MP11C	CF/CM/CU60C	1.00	1.00	0.93
TMLV080C16MP11C	CF/CM/CU60D	1.00	1.01	0.91
TMLV080C16MP12C	CF/CM/CU36C	0.96	1.08	0.91
TMLV080C16MP12C	CF/CM/CU42C	1.00	1.10	0.94
TMLV080C16MP12C	CF/CM/CU48C	1.00	1.07	0.93
TMLV080C16MP12C	CF/CM/CU60C	1.00	1.11	0.93
TMLV100C16MP11C	CF/CM/CU36C	0.96	0.99	0.91
TMLV100C16MP11C	CF/CM/CU42C	1.00	1.00	0.94
TMLV100C16MP11C	CF/CM/CU48C	1.00	1.01	0.93
TMLV100C16MP11C	CF/CM/CU48D	1.00	1.00	0.93
TMLV100C16MP11C	CF/CM/CU60C	1.00	1.00	0.93
TMLV100C16MP11C	CF/CM/CU60D	1.00	1.01	0.91
TMLV100C16MP12C	CF/CM/CU36C	0.96	1.08	0.91
TMLV100C16MP12C	CF/CM/CU42C	1.00	1.10	0.94
TMLV100C16MP12C	CF/CM/CU48C	1.00	1.07	0.93
TMLV100C16MP12C	CF/CM/CU60C	1.00	1.11	0.93
TMLV100C20MP11C	CF/CM/CU36C	0.96	1.03	0.91
TMLV100C20MP11C	CF/CM/CU42C	1.00	1.03	0.94
TMLV100C20MP11C	CF/CM/CU48C	1.00	1.08	0.93
TMLV100C20MP11C	CF/CM/CU48D	1.00	1.02	0.94
TMLV100C20MP11C	CF/CM/CU60C	1.00	1.07	0.93
TMLV100C20MP11C	CF/CM/CU60D	1.00	1.07	0.94
TMLV100C20MP12C	CF/CM/CU36C	0.97	1.08	0.91
TMLV100C20MP12C	CF/CM/CU42C	1.00	1.12	0.94

FURNACE MULTIPLIERS- 3 TON (Continued)

Furnaces	Coil	T.C.	S.C.	KW
TPLC100C16MP13C	CF/CM/CU42C	1.00	1.10	0.94
TPLC100C16MP13C	CF/CM/CU48C	1.00	1.07	0.93
TPLC100C16MP13C	CF/CM/CU60C	1.00	1.11	0.93
TPLC100C20MP12C	CF/CM/CU36C	0.96	1.03	0.91
TPLC100C20MP12C	CF/CM/CU42C	1.00	1.03	0.94
TPLC100C20MP12C	CF/CM/CU48C	1.00	1.08	0.93
TPLC100C20MP12C	CF/CM/CU48D	1.00	1.02	0.94
TPLC100C20MP12C	CF/CM/CU60C	1.00	1.07	0.93
TPLC100C20MP12C	CF/CM/CU60D	1.00	1.07	0.94
TPLC100C20MP13C	CF/CM/CU36C	0.97	1.08	0.91
TPLC100C20MP13C	CF/CM/CU42C	1.00	1.12	0.94
TPLC100C20MP13C	CF/CM/CU48C	1.00	1.08	0.93
TPLC100C20MP13C	CF/CM/CU60C	1.00	1.13	0.93
TPLC120C20MP12C	CF/CM/CU36C	0.96	1.03	0.91
TPLC120C20MP12C	CF/CM/CU42C	1.00	1.03	0.94
TPLC120C20MP12C	CF/CM/CU48C	1.00	1.08	0.93
TPLC120C20MP12C	CF/CM/CU48D	1.00	1.02	0.94
TPLC120C20MP12C	CF/CM/CU60C	1.00	1.07	0.93
TPLC120C20MP12C	CF/CM/CU60D	1.00	1.07	0.94
TPLC120C20MP13C	CF/CM/CU36C	0.97	1.08	0.91
TPLC120C20MP13C	CF/CM/CU42C	1.00	1.12	0.94
TPLC120C20MP13C	CF/CM/CU48C	1.00	1.08	0.93
TPLC120C20MP13C	CF/CM/CU60C	1.00	1.13	0.93
YP9C060B12MP12C	CF/CM/CU36B	0.96	0.99	0.92
YP9C060B12MP12C	CF42B	0.98	0.98	0.93
YP9C060B12MP13C	CF/CM/CU36B	0.96	1.00	0.96
YP9C060B12MP13C	CF/CM/CU36C	0.96	1.00	0.98
YP9C060B12MP13C	CF/CM/CU42C	0.98	1.00	0.96
YP9C060B12MP13C	CF/CM/CU48C	1.00	1.02	0.98
YP9C060B12MP13C	CF/CM/CU60C	1.00	1.00	0.98
YP9C060B12MP13C	CF42B	0.98	1.00	0.96
YP9C080B12MP12C	CF/CM/CU36B	0.96	0.99	0.92
YP9C080B12MP12C	CF42B	0.98	0.98	0.93
YP9C080B12MP13C	CF/CM/CU36B	0.97	1.10	0.94
YP9C080B12MP13C	CF42B	0.98	1.00	0.95
YP9C080C16MP12C	CF/CM/CU36C	0.96	0.97	0.89
YP9C080C16MP12C	CF/CM/CU42C	0.98	0.96	0.91
YP9C080C16MP12C	CF/CM/CU48C	1.00	1.08	0.94
YP9C080C16MP12C	CF/CM/CU48D	1.00	1.06	0.91
YP9C080C16MP12C	CF/CM/CU60C	1.00	1.06	0.91
YP9C080C16MP12C	CF/CM/CU60D	1.00	1.00	0.91
YP9C100C16MP12C	CF/CM/CU36C	0.96	0.97	0.89
YP9C100C16MP12C	CF/CM/CU42C	0.98	0.96	0.91
YP9C100C16MP12C	CF/CM/CU48C	1.00	1.08	0.94
YP9C100C16MP12C	CF/CM/CU48D	1.00	1.06	0.91
YP9C100C16MP12C	CF/CM/CU60C	1.00	1.06	0.91
YP9C100C16MP12C	CF/CM/CU60D	1.00	1.00	0.91
YP9C100C16MP13C	CF/CM/CU36C	0.99	1.11	0.92
YP9C100C16MP13C	CF/CM/CU42C	1.00	1.09	0.93
YP9C100C16MP13C	CF/CM/CU48C	1.00	1.10	0.93
YP9C100C16MP13C	CF/CM/CU60C	1.00	1.10	0.91
YP9C100C20MP12C	CF/CM/CU36C	0.96	0.99	0.91
YP9C100C20MP12C	CF/CM/CU42C	0.98	1.06	0.95
YP9C100C20MP12C	CF/CM/CU48C	1.00	1.04	0.94
YP9C100C20MP12C	CF/CM/CU48D	1.00	1.08	0.94

FURNACE MULTIPLIERS- 3 TON (Continued)

Furnaces	Coil	T.C.	S.C.	KW
YP9C100C20MP12C	CF/CM/CU60C	1.00	1.05	0.94
YP9C100C20MP12C	CF/CM/CU60D	1.00	1.05	0.93
YP9C100C20MP13C	CF/CM/CU36C	0.98	1.12	0.92
YP9C100C20MP13C	CF/CM/CU42C	0.98	1.12	0.93
YP9C100C20MP13C	CF/CM/CU48C	1.00	1.13	0.94
YP9C100C20MP13C	CF/CM/CU60C	1.00	1.13	0.94
YP9C120D20MP12C	CF/CM/CU48D	1.00	1.06	0.93
YP9C120D20MP12C	CF/CM/CU60D	1.00	1.09	0.91
YP9C120D20MP12C	CF/CM36D	0.96	1.00	0.88
YP9C120D20MP12C	CF/CM42D	0.98	1.03	0.91
YP9C120D20MP13C	CF/CM/CU36D	0.96	1.11	0.86
YP9C120D20MP13C	CF/CM/CU42D	0.99	1.10	0.92
YP9C120D20MP13C	CF/CM/CU48D	1.00	1.12	0.93
YP9C120D20MP13C	CF/CM/CU60D	1.00	1.13	0.91
YPLC080C16MP12C	CF/CM/CU36C	0.96	0.99	0.91
YPLC080C16MP12C	CF/CM/CU42C	1.00	1.00	0.94
YPLC080C16MP12C	CF/CM/CU48C	1.00	1.01	0.93
YPLC080C16MP12C	CF/CM/CU48D	1.00	1.00	0.93
YPLC080C16MP12C	CF/CM/CU60C	1.00	1.00	0.93
YPLC080C16MP12C	CF/CM/CU60D	1.00	1.01	0.91
YPLC080C16MP13C	CF/CM/CU36C	0.96	1.08	0.91
YPLC080C16MP13C	CF/CM/CU42C	1.00	1.10	0.94
YPLC080C16MP13C	CF/CM/CU48C	1.00	1.07	0.93
YPLC080C16MP13C	CF/CM/CU60C	1.00	1.11	0.93
YPLC100C16MP12C	CF/CM/CU36C	0.96	0.99	0.91
YPLC100C16MP12C	CF/CM/CU42C	1.00	1.00	0.94
YPLC100C16MP12C	CF/CM/CU48C	1.00	1.01	0.93
YPLC100C16MP12C	CF/CM/CU48D	1.00	1.00	0.93
YPLC100C16MP12C	CF/CM/CU60C	1.00	1.00	0.93
YPLC100C16MP12C	CF/CM/CU60D	1.00	1.01	0.91
YPLC100C16MP13C	CF/CM/CU36C	0.96	1.08	0.91
YPLC100C16MP13C	CF/CM/CU42C	1.00	1.10	0.94
YPLC100C16MP13C	CF/CM/CU48C	1.00	1.07	0.93
YPLC100C16MP13C	CF/CM/CU60C	1.00	1.11	0.93
YPLC100C20MP12C	CF/CM/CU36C	0.96	1.03	0.91
YPLC100C20MP12C	CF/CM/CU42C	1.00	1.03	0.94
YPLC100C20MP12C	CF/CM/CU48C	1.00	1.08	0.93
YPLC100C20MP12C	CF/CM/CU48D	1.00	1.02	0.94
YPLC100C20MP12C	CF/CM/CU60C	1.00	1.07	0.93
YPLC100C20MP12C	CF/CM/CU60D	1.00	1.07	0.94
YPLC100C20MP13C	CF/CM/CU36C	0.97	1.08	0.91
YPLC100C20MP13C	CF/CM/CU42C	1.00	1.12	0.94
YPLC100C20MP13C	CF/CM/CU48C	1.00	1.08	0.93
YPLC100C20MP13C	CF/CM/CU60C	1.00	1.13	0.93
YPLC120C20MP12C	CF/CM/CU36C	0.96	1.03	0.91
YPLC120C20MP12C	CF/CM/CU42C	1.00	1.03	0.94
YPLC120C20MP12C	CF/CM/CU48C	1.00	1.08	0.93
YPLC120C20MP12C	CF/CM/CU48D	1.00	1.02	0.94
YPLC120C20MP12C	CF/CM/CU60C	1.00	1.07	0.93
YPLC120C20MP12C	CF/CM/CU60D	1.00	1.07	0.94
YPLC120C20MP13C	CF/CM/CU36C	0.97	1.08	0.91
YPLC120C20MP13C	CF/CM/CU42C	1.00	1.12	0.94
YPLC120C20MP13C	CF/CM/CU48C	1.00	1.08	0.93
YPLC120C20MP13C	CF/CM/CU60C	1.00	1.13	0.93

PERFORMANCE DATA - 3 TON 460 Volt

CONDENSER-ONLY DATA (OUTDOOR UNIT)																		
MODEL	SATURATED SUCTION @ COMPRESSOR		Outdoor Ambient Temperature															
			55 °F		65 °F		75 °F		85 °F		95 °F		105 °F		115 °F		125 °F	
	T (°F)	P (PSIG)	MBH	KW	MBH	KW	MBH	KW	MBH	KW	MBH	KW	MBH	KW	MBH	KW	MBH	KW
TCG36B41S	35	107	35.9	1.81	34.1	2.04	32.3	2.29	30.4	2.57	28.3	2.87	26.2	3.23	24.0	3.64	21.6	4.11
	40	118	39.6	1.81	37.7	2.04	35.7	2.28	33.6	2.55	31.5	2.86	29.2	3.22	26.9	3.63	24.4	4.08
	45	130	43.5	1.80	41.4	2.03	39.3	2.28	37.1	2.55	34.8	2.85	32.4	3.20	29.9	3.61	27.3	4.05
	50	142	47.6	1.82	45.4	2.04	43.1	2.28	40.8	2.55	38.3	2.85	35.8	3.19	33.2	3.59	30.4	4.03
	55	156	52.0	1.84	49.6	2.06	47.1	2.30	44.5	2.57	42.0	2.85	39.4	3.19	36.6	3.59	33.7	4.01

Notes:

- For Outdoor Unit (Condenser) performance only. Data does not include the effects of air handler power or heat.
- Performance based on 15°F subcooling and 15°F superheat at the Outdoor Unit base valves.
 - Increase capacity by 1% for each 2°F increase in subcooling.
 - Decrease capacity by 1% for each 2°F decrease in subcooling.
- Maximum recommended condensing temperature is 140°F.

COOLING PERFORMANCE DATA																			
OUTDOOR UNIT MODEL NO.		TCG36B41S																	
INDOOR COIL MODEL NO.		CF48CXA1																	
AIR TEMP. ENTERING OUTDOOR UNIT (°F)	ID CFM	1000						1200						1400					
	ID DB (°F)	80	80	75	80	80	80	80	75	80	80	80	80	80	75	80	80		
	ID WB (°F)	57	62	62	67	72	57	62	62	67	72	57	62	62	67	72			
55	T.C.	34.8	37.4	37.0	38.9	38.4	36.0	37.9	37.5	38.9	38.3	37.3	38.5	38.0	38.9	38.2			
	S.C.	34.7	30.9	26.1	24.8	18.2	36.0	32.7	27.6	25.2	18.5	37.3	34.5	29.0	25.6	18.9			
	KW	1.84	1.85	1.85	1.86	1.86	1.91	1.92	1.92	1.93	1.94	1.98	1.99	1.99	2.00	2.01			
65	T.C.	34.0	36.2	36.1	38.7	39.7	35.3	36.9	36.7	39.0	39.8	36.7	37.6	37.3	39.3	40.0			
	S.C.	34.0	30.6	25.8	25.1	19.0	35.3	32.9	27.6	26.2	19.6	36.7	35.2	29.4	27.4	20.2			
	KW	2.03	2.04	2.03	2.05	2.04	2.10	2.11	2.11	2.12	2.12	2.18	2.18	2.18	2.19	2.20			
75	T.C.	33.1	35.0	35.3	38.5	41.0	34.6	35.9	36.0	39.1	41.4	36.1	36.8	36.6	39.8	41.8			
	S.C.	33.1	30.3	25.6	25.4	19.8	34.6	33.1	27.7	27.3	20.6	36.1	35.9	29.7	29.1	21.5			
	KW	2.22	2.23	2.22	2.24	2.23	2.30	2.30	2.30	2.31	2.31	2.37	2.37	2.37	2.38	2.39			
85	T.C.	31.6	33.8	33.9	37.0	39.7	33.2	34.6	34.5	37.6	40.1	34.8	35.4	35.1	38.1	40.5			
	S.C.	31.6	29.6	25.0	24.9	19.4	33.2	32.3	27.1	26.8	20.4	34.8	35.1	29.2	28.8	21.4			
	KW	2.49	2.51	2.49	2.50	2.49	2.56	2.57	2.56	2.57	2.57	2.63	2.64	2.63	2.64	2.64			
95	T.C.	30.1	32.5	32.5	35.5	38.4	31.8	33.3	33.0	36.0	38.8	33.5	34.0	33.5	36.5	39.3			
	S.C.	30.1	28.9	24.5	24.4	19.1	31.8	31.6	26.6	26.4	20.2	33.5	34.0	28.7	28.4	21.3			
	KW	2.76	2.78	2.76	2.75	2.75	2.83	2.85	2.83	2.82	2.82	2.89	2.91	2.89	2.89	2.89			
105	T.C.	28.9	30.5	30.4	33.5	36.4	30.4	31.3	30.9	33.9	36.7	31.9	32.1	31.4	34.4	37.0			
	S.C.	28.9	28.1	23.5	23.7	18.3	30.4	30.2	25.7	25.6	19.4	31.9	32.1	27.8	27.6	20.5			
	KW	3.20	3.22	3.22	3.18	3.17	3.25	3.27	3.28	3.24	3.24	3.30	3.32	3.33	3.31	3.31			
115	T.C.	27.6	28.6	28.4	31.6	34.5	29.0	29.4	28.9	32.0	34.7	30.3	30.2	29.3	32.3	34.8			
	S.C.	27.6	27.3	22.6	23.0	17.6	29.0	28.8	24.8	24.9	18.7	30.3	30.2	26.9	26.7	19.7			
	KW	3.63	3.64	3.67	3.59	3.57	3.67	3.68	3.71	3.65	3.64	3.70	3.72	3.76	3.71	3.71			
125	T.C.	26.4	26.7	26.4	29.7	32.6	27.6	27.5	26.8	30.0	32.6	28.7	28.3	27.2	30.2	32.6			
	S.C.	26.4	26.5	21.7	22.3	16.9	27.6	27.5	23.8	24.1	17.9	28.7	28.3	26.0	25.9	19.0			
	KW	4.06	4.07	4.12	4.01	3.98	4.08	4.09	4.15	4.06	4.04	4.10	4.12	4.19	4.11	4.11			

ALL CAPACITIES INCLUDE INDOOR FAN HEAT. KW VALUES ARE FOR THE SYSTEM (OUTDOOR + INDOOR).

Green shaded cells are ACCA (TVA) conditions.

Blue shaded cells are AHRI conditions.

Multipliers for determining the performance with other indoor sections.

NOTE: For dry bulb temperatures different than those listed (between 73-87 °F), sensible capacity increases by 1060 BTUH per 1000 CFM per degree above the listed temperature and decreases by 1060 BTUH per 1000 CFM per degree below the listed temperature.

COIL MULTIPLIERS- 3 TON

Air Handler	Coil	T.C.	S.C.	KW
-	CF/CM/CU36B	0.96	0.96	0.98
-	CF/CM/CU36C	0.96	0.96	0.98
-	CF/CM/CU36D	0.96	0.96	0.98
-	CF42B	0.98	0.97	1.00
-	CF/CM/CU42C	0.98	0.97	1.00
-	CF/CM/CU42D	0.98	0.97	1.00
-	CF/CM/CU48C	1.00	1.00	1.00
-	CF/CM/CU48D	1.00	1.00	1.00
-	CF/CM/CU60C	1.00	0.99	1.00
-	CF/CM/CU60D	1.00	0.99	1.00
AE36BX21	-	0.96	0.91	0.91
AE36CX21	-	0.96	0.93	0.88
AE42CX21	-	0.98	0.93	0.90
AE48CX21	-	1.00	1.02	0.91
AE48DX21	-	1.00	1.02	0.89
AE60CX21	-	1.00	1.03	0.94
AP36BX21	-	0.96	0.91	0.98
AP36CX21	-	0.96	0.89	0.96
AP42CX21	-	0.98	0.94	1.00
AP48CX21	-	1.00	0.98	1.00
AP48DX21	-	1.00	0.98	1.00
AP60CX21	-	1.00	1.02	1.04
AP60DX22	-	0.99	0.98	1.01
AVC36BX21	-	0.96	0.90	0.89
AVC36CX21	-	0.96	0.90	0.88
AVC42CX21	-	0.98	0.98	0.90
AVC48CX21	-	1.00	0.97	0.91
AVC48DX21	-	1.00	0.99	0.89
AVC60CX21	-	1.00	0.98	0.89
ME12BN21	CF/CM36B	0.96	0.93	0.89
ME12BN21	CF42B	0.98	0.92	0.93
ME14DN21	CF/CM36D	0.96	0.99	0.88
ME14DN21	CF/CM42D	0.98	0.98	0.88
ME14DN21	CF/CM48D	1.00	1.01	0.89
ME14DN21	CF/CM60D	1.00	0.96	0.93
ME16CN21	CF/CM36C	0.96	0.99	0.88
ME16CN21	CF/CM42C	0.98	0.98	0.88
ME16CN21	CF/CM48C	1.00	1.02	0.89
ME16CN21	CF/CM60C	1.00	1.02	0.89
ME20DN21	CF/CM36D	0.98	0.99	0.98
ME20DN21	CF/CM42D	1.00	1.04	0.94
ME20DN21	CF/CM48D	1.00	1.05	0.93
ME20DN21	CF/CM60D	1.00	1.03	0.93
ME12BN41	CF/CM36B	0.93	1.02	0.92
ME12BN41	CF42B	0.95	0.99	0.92
ME12CN41	CF/CM36C	0.97	1.10	0.94
ME12CN41	CF/CM42C	0.97	1.09	0.94
ME12CN41	CF/CM48C	0.97	1.05	0.94
ME12CN41	CF/CM60C	0.97	1.10	0.94
ME14DN41	CF/CM48D	0.97	1.03	0.91
ME14DN41	CF/CM60D	0.97	1.09	0.91
ME16CN41	CF/CM36C	0.93	1.03	0.89
ME16CN41	CF/CM42C	0.95	1.03	0.89
ME16CN41	CF/CM48C	0.97	1.04	0.91
ME16CN41	CF/CM60C	0.97	1.02	0.91

COIL MULTIPLIERS- 3 TON

Air Handler	Coil	T.C.	S.C.	KW
ME20DN41	CF/CM36D	0.95	1.10	0.98
ME20DN41	CF/CM42D	0.97	1.09	0.94
ME20DN41	CF/CM48D	0.97	1.11	0.94
ME20DN41	CF/CM60D	0.97	1.10	0.92
MVC08BN21	CF/CM36B	1.00	0.96	0.96
MVC12BN21	CF/CM36B	1.00	0.94	0.96
MVC12BN21	CF42B	1.00	0.94	0.96
MVC14DN21	CF/CM36D	1.00	1.01	0.93
MVC14DN21	CF/CM42D	1.00	0.98	0.91
MVC14DN21	CF/CM48D	1.00	0.99	0.91
MVC14DN21	CF/CM60D	1.00	0.96	0.91
MVC16CN21	CF/CM36C	1.00	0.96	0.94
MVC16CN21	CF/CM42C	1.00	0.93	0.93
MVC16CN21	CF/CM48C	1.00	0.97	0.91
MVC16CN21	CF/CM60C	1.00	1.00	0.91
MVC20DN21	CF/CM36D	1.00	1.01	0.91
MVC20DN21	CF/CM42D	1.00	1.00	0.93
MVC20DN21	CF/CM48D	1.00	0.98	0.91
MVC20DN21	CF/CM60D	1.00	0.99	0.89

FURNACE MULTIPLIERS- 3 TON

Furnaces	Coil	T.C.	S.C.	KW
TL8E060A12UH11	CF/CM/CU36B	0.96	1.03	0.96
TL8E060A12UH11	CF42B	0.98	1.02	0.95
TL8E080C16UH11	CF/CM/CU36C	0.96	1.08	0.91
TL8E080C16UH11	CF/CM/CU42C	0.98	1.07	0.91
TL8E080C16UH11	CF/CM/CU48C	1.00	1.09	0.93
TL8E080C16UH11	CF/CM/CU48D	1.00	1.09	0.93
TL8E080C16UH11	CF/CM/CU60C	1.00	1.07	0.93
TL8E080C16UH11	CF/CM/CU60D	1.00	1.07	0.93
TL8E080C16UH11	CF/CM36D	0.96	1.08	0.91
TL8E080C16UH11	CF/CM42D	0.98	1.07	0.91
TL8E100C20UH11	CF/CM/CU36C	0.96	1.04	0.91
TL8E100C20UH11	CF/CM/CU42C	0.98	1.05	0.91
TL8E100C20UH11	CF/CM/CU48C	1.00	1.05	0.91
TL8E100C20UH11	CF/CM/CU48D	1.00	1.05	0.91
TL8E100C20UH11	CF/CM/CU60C	1.00	1.03	0.91
TL8E100C20UH11	CF/CM/CU60D	1.00	1.05	0.91
TL8E100C20UH11	CF/CM36D	0.96	1.04	0.89
TL8E100C20UH11	CF/CM42D	0.98	1.05	0.90
TL9E060B12UH11	CF/CM/CU36B	0.96	1.03	0.98
TL9E060B12UH11	CF/CM/CU36C	0.96	1.03	0.98
TL9E060B12UH11	CF/CM/CU42C	0.98	1.03	0.96
TL9E060B12UH11	CF/CM/CU48C	1.00	1.03	0.98
TL9E060B12UH11	CF/CM/CU60C	1.00	1.02	1.00
TL9E060B12UH11	CF42B	0.98	1.02	0.98
TL9E080C16UH11	CF/CM/CU36C	0.96	1.05	0.94
TL9E080C16UH11	CF/CM/CU42C	0.98	1.06	0.93
TL9E080C16UH11	CF/CM/CU48C	1.00	1.06	0.93
TL9E080C16UH11	CF/CM/CU48D	1.00	1.07	0.94
TL9E080C16UH11	CF/CM/CU60C	1.00	1.05	0.94
TL9E080C16UH11	CF/CM/CU60D	1.00	1.05	0.94
TL9E080C16UH11	CF/CM36D	0.96	1.06	0.91
TL9E080C16UH11	CF/CM42D	0.98	1.06	0.93
TL9E100C20UH11	CF/CM/CU36C	0.96	1.08	0.91

FURNACE MULTIPLIERS- 3 TON (Continued)

Furnaces	Coil	T.C.	S.C.	KW
TL9E100C20UH11	CF/CM/CU42C	0.98	1.07	0.91
TL9E100C20UH11	CF/CM/CU48C	1.00	1.09	0.91
TL9E100C20UH11	CF/CM/CU48D	1.00	1.09	0.91
TL9E100C20UH11	CF/CM/CU60C	1.00	1.06	0.93
TL9E100C20UH11	CF/CM/CU60D	1.00	1.07	0.93
TL9E100C20UH11	CF/CM36D	0.96	1.10	0.91
TL9E100C20UH11	CF/CM42D	0.98	1.09	0.91
TM8E040A12MP11	CF/CM/CU36B	0.96	1.03	0.94
TM8E040A12MP11	CF42B	0.98	1.00	0.95
TM8E060A12MP11	CF/CM/CU36B	0.96	1.03	0.94
TM8E060A12MP11	CF42B	0.98	1.00	0.95
TM8E080B12MP11	CF/CM/CU36B	0.96	1.03	0.94
TM8E080B12MP11	CF/CM/CU36C	0.96	1.03	0.94
TM8E080B12MP11	CF/CM/CU42C	0.98	1.04	0.93
TM8E080B12MP11	CF/CM/CU48C	1.00	1.04	0.94
TM8E080B12MP11	CF/CM/CU60C	1.00	1.03	0.96
TM8E080B12MP11	CF42B	0.98	1.02	0.95
TM8E080C16MP11	CF/CM/CU36C	0.96	1.06	0.91
TM8E080C16MP11	CF/CM/CU42C	0.98	1.06	0.91
TM8E080C16MP11	CF/CM/CU48C	1.00	1.07	0.93
TM8E080C16MP11	CF/CM/CU48D	1.00	1.07	0.93
TM8E080C16MP11	CF/CM/CU60C	1.00	1.13	0.94
TM8E080C16MP11	CF/CM/CU60D	1.00	1.06	0.93
TM8E080C16MP11	CF/CM36D	0.96	1.08	0.91
TM8E080C16MP11	CF/CM42D	0.98	1.07	0.91
TM8E080C20MP11	CF/CM/CU36C	0.96	1.13	0.91
TM8E080C20MP11	CF/CM/CU42C	0.98	1.13	0.91
TM8E080C20MP11	CF/CM/CU48C	1.00	1.13	0.93
TM8E080C20MP11	CF/CM/CU48D	1.00	1.16	0.93
TM8E080C20MP11	CF/CM/CU60C	1.00	1.12	0.93
TM8E080C20MP11	CF/CM/CU60D	1.00	1.14	0.93
TM8E080C20MP11	CF/CM36D	0.96	1.14	0.91
TM8E080C20MP11	CF/CM42D	0.98	1.15	0.91
TM8E100B12MP11	CF/CM/CU36B	0.96	1.05	0.94
TM8E100B12MP11	CF/CM/CU36C	0.96	1.06	0.94
TM8E100B12MP11	CF/CM/CU42C	0.98	1.05	0.93
TM8E100B12MP11	CF/CM/CU48C	1.00	1.08	0.94
TM8E100B12MP11	CF/CM/CU60C	1.00	1.04	0.96
TM8E100B12MP11	CF42B	0.98	1.03	0.95
TM8E100C16MP11	CF/CM/CU36C	0.96	1.08	0.91
TM8E100C16MP11	CF/CM/CU42C	0.98	1.07	0.91
TM8E100C16MP11	CF/CM/CU48C	1.00	1.09	0.93
TM8E100C16MP11	CF/CM/CU48D	1.00	1.09	0.93
TM8E100C16MP11	CF/CM/CU60C	1.00	1.07	0.93
TM8E100C16MP11	CF/CM/CU60D	1.00	1.07	0.93
TM8E100C16MP11	CF/CM36D	0.96	1.08	0.91
TM8E100C16MP11	CF/CM42D	0.98	1.07	0.91
TM8E100C20MP11	CF/CM/CU36C	0.96	1.13	0.91
TM8E100C20MP11	CF/CM/CU42C	0.98	1.13	0.91
TM8E100C20MP11	CF/CM/CU48C	1.00	1.13	0.93
TM8E100C20MP11	CF/CM/CU48D	1.00	1.16	0.93
TM8E100C20MP11	CF/CM/CU60C	1.00	1.12	0.93
TM8E100C20MP11	CF/CM/CU60D	1.00	1.14	0.93
TM8E100C20MP11	CF/CM36D	0.96	1.14	0.91
TM8E100C20MP11	CF/CM42D	0.98	1.15	0.91

FURNACE MULTIPLIERS- 3 TON (Continued)

Furnaces	Coil	T.C.	S.C.	KW
TM8E120C16MP11	CF/CM/CU36C	0.96	1.08	0.91
TM8E120C16MP11	CF/CM/CU42C	0.98	1.07	0.91
TM8E120C16MP11	CF/CM/CU48C	1.00	1.09	0.93
TM8E120C16MP11	CF/CM/CU48D	1.00	1.09	0.93
TM8E120C16MP11	CF/CM/CU60C	1.00	1.07	0.93
TM8E120C16MP11	CF/CM/CU60D	1.00	1.07	0.93
TM8E120C16MP11	CF/CM36D	0.96	1.08	0.91
TM8E120C16MP11	CF/CM42D	0.98	1.07	0.91
TM8E120C20MP11	CF/CM/CU36C	0.96	1.14	0.92
TM8E120C20MP11	CF/CM/CU42C	0.98	1.15	0.91
TM8E120C20MP11	CF/CM/CU48C	1.00	1.16	0.91
TM8E120C20MP11	CF/CM/CU48D	1.00	1.16	0.93
TM8E120C20MP11	CF/CM/CU60C	1.00	1.15	0.93
TM8E120C20MP11	CF/CM/CU60D	1.00	1.11	0.93
TM8E120C20MP11	CF/CM36D	0.96	1.07	0.94
TM8E120C20MP11	CF/CM42D	0.98	1.17	0.91
TM8E130D20MP11	CF/CM/CU48D	1.00	1.16	0.91
TM8E130D20MP11	CF/CM/CU60D	1.00	1.11	0.91
TM8E130D20MP11	CF/CM36D	0.96	1.07	0.94
TM8E130D20MP11	CF/CM42D	0.98	1.17	0.91
TM8V080C16MP11C	CF/CM/CU36C	0.96	1.00	0.91
TM8V080C16MP11C	CF/CM/CU42C	1.00	1.00	0.94
TM8V080C16MP11C	CF/CM/CU48C	1.00	1.01	0.93
TM8V080C16MP11C	CF/CM/CU48D	1.00	1.00	0.93
TM8V080C16MP11C	CF/CM/CU60C	1.00	1.00	0.93
TM8V080C16MP11C	CF/CM/CU60D	1.00	1.00	0.91
TM8V080C16MP12C	CF/CM/CU36C	0.96	1.08	0.91
TM8V080C16MP12C	CF/CM/CU42C	1.00	1.10	0.94
TM8V080C16MP12C	CF/CM/CU48C	1.00	1.07	0.93
TM8V080C16MP12C	CF/CM/CU60C	1.00	1.11	0.93
TM8V100C16MP11C	CF/CM/CU36C	0.96	1.00	0.91
TM8V100C16MP11C	CF/CM/CU42C	1.00	1.00	0.94
TM8V100C16MP11C	CF/CM/CU48C	1.00	1.01	0.93
TM8V100C16MP11C	CF/CM/CU48D	1.00	1.00	0.93
TM8V100C16MP11C	CF/CM/CU60C	1.00	1.00	0.93
TM8V100C16MP11C	CF/CM/CU60D	1.00	1.00	0.91
TM8V100C16MP12C	CF/CM/CU36C	0.96	1.08	0.91
TM8V100C16MP12C	CF/CM/CU42C	1.00	1.10	0.94
TM8V100C16MP12C	CF/CM/CU48C	1.00	1.07	0.93
TM8V100C16MP12C	CF/CM/CU60C	1.00	1.11	0.93
TM8V100C20MP11C	CF/CM/CU36C	0.96	1.04	0.91
TM8V100C20MP11C	CF/CM/CU42C	1.00	1.03	0.94
TM8V100C20MP11C	CF/CM/CU48C	1.00	1.08	0.93
TM8V100C20MP11C	CF/CM/CU48D	1.00	1.03	0.94
TM8V100C20MP11C	CF/CM/CU60C	1.00	1.07	0.93
TM8V100C20MP11C	CF/CM/CU60D	1.00	1.07	0.94
TM8V100C20MP12C	CF/CM/CU36C	0.97	1.08	0.91
TM8V100C20MP12C	CF/CM/CU42C	1.00	1.12	0.94
TM8V100C20MP12C	CF/CM/CU48C	1.00	1.08	0.93
TM8V100C20MP12C	CF/CM/CU60C	1.00	1.13	0.93
TM8V120C20MP11C	CF/CM/CU36C	0.96	1.04	0.91
TM8V120C20MP11C	CF/CM/CU42C	1.00	1.03	0.94
TM8V120C20MP11C	CF/CM/CU48C	1.00	1.08	0.93
TM8V120C20MP11C	CF/CM/CU48D	1.00	1.03	0.94
TM8V120C20MP11C	CF/CM/CU60C	1.00	1.07	0.93

FURNACE MULTIPLIERS- 3 TON (Continued)

Furnaces	Coil	T.C.	S.C.	KW
TM8V120C20MP11C	CF/CM/CU60D	1.00	1.07	0.94
TM8V120C20MP12C	CF/CM/CU36C	0.97	1.08	0.91
TM8V120C20MP12C	CF/CM/CU42C	1.00	1.12	0.94
TM8V120C20MP12C	CF/CM/CU48C	1.00	1.08	0.93
TM8V120C20MP12C	CF/CM/CU60C	1.00	1.13	0.93
TM8X060A12MP11	CF/CM36A	0.96	0.95	0.92
TM8X080B12MP11	CF/CM/CU36B	0.96	0.97	0.91
TM8X080B12MP11	CF42B	0.98	0.96	0.93
TM8X080C16MP11	CF/CM/CU36C	0.96	1.00	0.89
TM8X080C16MP11	CF/CM/CU42C	0.98	0.99	0.91
TM8X080C16MP11	CF/CM/CU48C	1.00	1.00	0.91
TM8X080C16MP11	CF/CM/CU48D	1.00	1.01	0.91
TM8X080C16MP11	CF/CM/CU60C	1.00	1.00	0.91
TM8X080C16MP11	CF/CM/CU60D	1.00	1.01	0.91
TM8X080C16MP11	CF/CM36D	0.96	1.00	0.89
TM8X080C16MP11	CF/CM42D	0.98	1.00	0.90
TM8X100C16MP11	CF/CM/CU36C	0.96	1.00	0.89
TM8X100C16MP11	CF/CM/CU42C	0.98	0.99	0.91
TM8X100C16MP11	CF/CM/CU48C	1.00	1.00	0.91
TM8X100C16MP11	CF/CM/CU48D	1.00	1.01	0.91
TM8X100C16MP11	CF/CM/CU60C	1.00	1.00	0.91
TM8X100C16MP11	CF/CM/CU60D	1.00	1.01	0.91
TM8X100C16MP11	CF/CM36D	0.96	1.00	0.89
TM8X100C16MP11	CF/CM42D	0.98	1.00	0.90
TM8X100C20MP11	CF/CM/CU36C	0.96	1.00	0.89
TM8X100C20MP11	CF/CM/CU42C	0.98	1.00	0.90
TM8X100C20MP11	CF/CM/CU48C	1.00	1.01	0.91
TM8X100C20MP11	CF/CM/CU48D	1.00	1.02	0.91
TM8X100C20MP11	CF/CM/CU60C	1.00	1.01	0.89
TM8X100C20MP11	CF/CM/CU60D	1.00	1.01	0.89
TM8X100C20MP11	CF/CM36D	0.96	1.00	0.89
TM8X100C20MP11	CF/CM42D	0.98	1.01	0.90
TM8X120C20MP11	CF/CM/CU36C	0.96	1.00	0.89
TM8X120C20MP11	CF/CM/CU42C	0.98	1.00	0.90
TM8X120C20MP11	CF/CM/CU48C	1.00	1.01	0.91
TM8X120C20MP11	CF/CM/CU48D	1.00	1.02	0.91
TM8X120C20MP11	CF/CM/CU60C	1.00	1.01	0.89
TM8X120C20MP11	CF/CM/CU60D	1.00	1.01	0.89
TM8X120C20MP11	CF/CM36D	0.96	1.00	0.89
TM8X120C20MP11	CF/CM42D	0.98	1.01	0.90
TM8Y060A12MP11	CF/CM36A	0.96	0.95	0.92
TM8Y080B12MP11	CF/CM/CU36B	0.96	0.97	0.91
TM8Y080B12MP11	CF42B	0.98	0.96	0.93
TM8Y080C16MP11	CF/CM/CU36C	0.96	1.00	0.89
TM8Y080C16MP11	CF/CM/CU42C	0.98	0.99	0.91
TM8Y080C16MP11	CF/CM/CU48C	1.00	1.00	0.91
TM8Y080C16MP11	CF/CM/CU48D	1.00	1.01	0.91
TM8Y080C16MP11	CF/CM/CU60C	1.00	1.00	0.91
TM8Y080C16MP11	CF/CM/CU60D	1.00	1.01	0.91
TM8Y080C16MP11	CF/CM36D	0.96	1.00	0.89
TM8Y080C16MP11	CF/CM42D	0.98	1.00	0.90
TM8Y100C16MP11	CF/CM/CU36C	0.96	1.00	0.89
TM8Y100C16MP11	CF/CM/CU42C	0.98	0.99	0.91
TM8Y100C16MP11	CF/CM/CU48C	1.00	1.00	0.91
TM8Y100C16MP11	CF/CM/CU48D	1.00	1.01	0.91

FURNACE MULTIPLIERS- 3 TON (Continued)

Furnaces	Coil	T.C.	S.C.	KW
TM8Y100C16MP11	CF/CM/CU60C	1.00	1.00	0.91
TM8Y100C16MP11	CF/CM/CU60D	1.00	1.01	0.91
TM8Y100C16MP11	CF/CM36D	0.96	1.00	0.89
TM8Y100C16MP11	CF/CM42D	0.98	1.00	0.90
TM8Y100C20MP11	CF/CM/CU36C	0.96	1.00	0.89
TM8Y100C20MP11	CF/CM/CU42C	0.98	1.00	0.90
TM8Y100C20MP11	CF/CM/CU48C	1.00	1.01	0.91
TM8Y100C20MP11	CF/CM/CU48D	1.00	1.02	0.91
TM8Y100C20MP11	CF/CM/CU60C	1.00	1.01	0.89
TM8Y100C20MP11	CF/CM/CU60D	1.00	1.01	0.89
TM8Y100C20MP11	CF/CM36D	0.96	1.00	0.89
TM8Y100C20MP11	CF/CM42D	0.98	1.01	0.90
TM8Y120C20MP11	CF/CM/CU36C	0.96	1.00	0.89
TM8Y120C20MP11	CF/CM/CU42C	0.98	1.00	0.90
TM8Y120C20MP11	CF/CM/CU48C	1.00	1.01	0.91
TM8Y120C20MP11	CF/CM/CU48D	1.00	1.02	0.91
TM8Y120C20MP11	CF/CM/CU60C	1.00	1.01	0.89
TM8Y120C20MP11	CF/CM/CU60D	1.00	1.01	0.89
TM8Y120C20MP11	CF/CM36D	0.96	1.00	0.89
TM8Y120C20MP11	CF/CM42D	0.98	1.01	0.90
TM9E060A10MP12	CF/CM/CU36B	0.96	1.02	0.98
TM9E060A10MP12	CF42B	0.98	1.02	1.00
TM9E060B12MP11	CF/CM/CU36B	0.96	1.05	0.98
TM9E060B12MP11	CF/CM/CU36C	0.96	1.00	0.98
TM9E060B12MP11	CF/CM/CU42C	0.98	0.99	0.98
TM9E060B12MP11	CF/CM/CU48C	1.00	1.01	0.98
TM9E060B12MP11	CF/CM/CU60C	1.00	0.98	0.98
TM9E060B12MP11	CF42B	0.98	1.05	0.98
TM9E060B12MP12	CF/CM/CU36B	0.96	1.05	0.98
TM9E060B12MP12	CF/CM/CU36C	0.96	1.05	0.98
TM9E060B12MP12	CF/CM/CU42C	0.98	1.05	0.98
TM9E060B12MP12	CF/CM/CU48C	1.00	1.06	0.98
TM9E060B12MP12	CF/CM/CU60C	1.00	1.04	1.00
TM9E060B12MP12	CF42B	0.98	1.03	0.98
TM9E080B12MP11	CF/CM/CU36B	0.96	0.95	0.92
TM9E080B12MP11	CF42B	0.98	0.96	0.95
TM9E080B12MP12	CF/CM/CU36B	0.96	1.03	0.96
TM9E080B12MP12	CF/CM/CU36C	0.96	1.05	0.94
TM9E080B12MP12	CF/CM/CU42C	0.98	1.05	0.95
TM9E080B12MP12	CF/CM/CU48C	1.00	1.06	0.96
TM9E080B12MP12	CF/CM/CU60C	1.00	1.04	0.96
TM9E080B12MP12	CF42B	0.98	1.02	0.96
TM9E080C16MP11	CF/CM/CU36C	0.96	1.01	0.91
TM9E080C16MP11	CF/CM/CU42C	0.98	1.00	0.93
TM9E080C16MP11	CF/CM/CU48C	1.00	1.00	0.93
TM9E080C16MP11	CF/CM/CU48D	1.00	1.00	0.93
TM9E080C16MP11	CF/CM/CU60C	1.00	0.99	0.93
TM9E080C16MP11	CF/CM/CU60D	1.00	1.00	0.93
TM9E080C16MP11	CF/CM36D	0.96	1.01	0.91
TM9E080C16MP11	CF/CM42D	0.98	1.00	0.91
TM9E080C16MP12	CF/CM/CU36C	0.96	1.05	0.94
TM9E080C16MP12	CF/CM/CU42C	0.98	1.06	0.93
TM9E080C16MP12	CF/CM/CU48C	1.00	1.07	0.93
TM9E080C16MP12	CF/CM/CU48D	1.00	1.07	0.94
TM9E080C16MP12	CF/CM/CU60C	1.00	1.05	0.94

FURNACE MULTIPLIERS- 3 TON (Continued)

Furnaces	Coil	T.C.	S.C.	KW
TM9E080C16MP12	CF/CM/CU60D	1.00	1.05	0.94
TM9E080C16MP12	CF/CM36D	0.96	1.06	0.91
TM9E080C16MP12	CF/CM42D	0.98	1.06	0.93
TM9E080C20MP12	CF/CM/CU36C	0.96	1.12	0.91
TM9E080C20MP12	CF/CM/CU42C	0.98	1.11	0.91
TM9E080C20MP12	CF/CM/CU48C	1.00	1.13	0.93
TM9E080C20MP12	CF/CM/CU48D	1.00	1.13	0.93
TM9E080C20MP12	CF/CM/CU60C	1.00	1.10	0.93
TM9E080C20MP12	CF/CM/CU60D	1.00	1.12	0.93
TM9E080C20MP12	CF/CM36D	0.96	1.13	0.91
TM9E080C20MP12	CF/CM42D	0.98	1.13	0.90
TM9E100C16MP11	CF/CM/CU36C	0.96	1.00	0.91
TM9E100C16MP11	CF/CM/CU42C	0.98	1.00	0.91
TM9E100C16MP11	CF/CM/CU48C	1.00	1.01	0.93
TM9E100C16MP11	CF/CM/CU48D	1.00	1.01	0.91
TM9E100C16MP11	CF/CM/CU60C	1.00	1.01	0.91
TM9E100C16MP11	CF/CM/CU60D	1.00	1.01	0.91
TM9E100C16MP11	CF/CM36D	0.96	1.00	0.91
TM9E100C16MP11	CF/CM42D	0.98	1.00	0.91
TM9E100C16MP12	CF/CM/CU36C	0.96	1.06	0.91
TM9E100C16MP12	CF/CM/CU42C	0.98	1.06	0.91
TM9E100C16MP12	CF/CM/CU48C	1.00	1.06	0.93
TM9E100C16MP12	CF/CM/CU48D	1.00	1.06	0.93
TM9E100C16MP12	CF/CM/CU60C	1.00	1.04	0.93
TM9E100C16MP12	CF/CM/CU60D	1.00	1.04	0.94
TM9E100C16MP12	CF/CM36D	0.96	1.06	0.91
TM9E100C16MP12	CF/CM42D	0.98	1.05	0.91
TM9E100C20MP11	CF/CM/CU36C	0.96	0.96	0.89
TM9E100C20MP11	CF/CM/CU42C	0.98	0.97	0.91
TM9E100C20MP11	CF/CM/CU48C	1.00	0.97	0.91
TM9E100C20MP11	CF/CM/CU48D	1.00	0.97	0.91
TM9E100C20MP11	CF/CM/CU60C	1.00	1.09	0.91
TM9E100C20MP11	CF/CM/CU60D	1.00	0.97	0.91
TM9E100C20MP11	CF/CM36D	0.96	0.96	0.89
TM9E100C20MP11	CF/CM42D	0.98	0.97	0.91
TM9E100C20MP12	CF/CM/CU36C	0.96	1.11	0.91
TM9E100C20MP12	CF/CM/CU42C	0.98	1.11	0.91
TM9E100C20MP12	CF/CM/CU48C	1.00	1.13	0.93
TM9E100C20MP12	CF/CM/CU48D	1.00	1.13	0.93
TM9E100C20MP12	CF/CM/CU60C	1.00	1.10	0.91
TM9E100C20MP12	CF/CM/CU60D	1.00	1.14	0.93
TM9E100C20MP12	CF/CM36D	0.96	1.13	0.91
TM9E100C20MP12	CF/CM42D	0.98	1.11	0.91
TM9E120D20MP11	CF/CM/CU48D	1.00	0.97	0.91
TM9E120D20MP11	CF/CM/CU60D	1.00	0.97	0.89
TM9E120D20MP11	CF/CM36D	0.96	0.96	0.88
TM9E120D20MP11	CF/CM42D	0.98	0.97	0.90
TM9E120D20MP12	CF/CM/CU48D	1.00	1.13	0.93
TM9E120D20MP12	CF/CM/CU60D	1.00	1.12	0.93
TM9E120D20MP12	CF/CM36D	0.96	1.13	0.91
TM9E120D20MP12	CF/CM42D	0.98	1.13	0.91
TM9V060B12MP11C	CF/CM/CU36B	0.96	0.99	0.92
TM9V060B12MP11C	CF/CM/CU36C	0.96	1.00	0.98
TM9V060B12MP11C	CF/CM/CU42C	0.98	1.00	0.96
TM9V060B12MP11C	CF/CM/CU48C	1.00	1.01	0.98
TM9V060B12MP11C	CF/CM/CU60C	1.00	0.98	0.98
TM9V060B12MP11C	CF42B	0.98	1.05	0.98
TM9V080B12MP11C	CF/CM/CU36B	0.96	0.95	0.92
TM9V080B12MP11C	CF42B	0.98	0.96	0.95
TM9V080C16MP11C	CF/CM/CU36C	0.96	1.01	0.91

FURNACE MULTIPLIERS- 3 TON (Continued)

Furnaces	Coil	T.C.	S.C.	KW
TM9V060B12MP11C	CF/CM/CU60C	1.00	1.00	0.98
TM9V060B12MP11C	CF42B	0.98	0.98	0.93
TM9V060B12MP12C	CF/CM/CU36B	0.96	1.00	0.96
TM9V060B12MP12C	CF/CM/CU36C	0.96	1.00	0.98
TM9V060B12MP12C	CF/CM/CU42C	0.98	1.00	0.96
TM9V060B12MP12C	CF/CM/CU48C	1.00	1.02	0.98
TM9V060B12MP12C	CF/CM/CU60C	1.00	1.00	0.98
TM9V060B12MP12C	CF42B	0.98	1.00	0.96
TM9V080B12MP11C	CF/CM/CU36B	0.96	0.99	0.92
TM9V080B12MP11C	CF42B	0.98	0.98	0.93
TM9V080B12MP12C	CF/CM/CU36B	0.97	1.10	0.94
TM9V080B12MP12C	CF42B	0.98	1.00	0.95
TM9V080C16MP11C	CF/CM/CU36C	0.96	0.97	0.89
TM9V080C16MP11C	CF/CM/CU42C	0.98	0.96	0.91
TM9V080C16MP11C	CF/CM/CU48C	1.00	1.07	0.94
TM9V080C16MP11C	CF/CM/CU48D	1.00	1.06	0.91
TM9V080C16MP11C	CF/CM/CU60C	1.00	1.06	0.91
TM9V080C16MP11C	CF/CM/CU60D	1.00	1.00	0.91
TM9V100C16MP11C	CF/CM/CU36C	0.96	0.97	0.89
TM9V100C16MP11C	CF/CM/CU42C	0.98	0.96	0.91
TM9V100C16MP11C	CF/CM/CU48C	1.00	1.07	0.94
TM9V100C16MP11C	CF/CM/CU48D	1.00	1.06	0.91
TM9V100C16MP11C	CF/CM/CU60C	1.00	1.06	0.91
TM9V100C16MP11C	CF/CM/CU60D	1.00	1.00	0.91
TM9V100C16MP12C	CF/CM/CU36C	0.99	1.11	0.92
TM9V100C16MP12C	CF/CM/CU42C	1.00	1.09	0.93
TM9V100C16MP12C	CF/CM/CU48C	1.00	1.10	0.93
TM9V100C16MP12C	CF/CM/CU60C	1.00	1.10	0.91
TM9V100C20MP11C	CF/CM/CU36C	0.96	0.99	0.91
TM9V100C20MP11C	CF/CM/CU42C	0.98	1.06	0.95
TM9V100C20MP11C	CF/CM/CU48C	1.00	1.04	0.94
TM9V100C20MP11C	CF/CM/CU48D	1.00	1.07	0.94
TM9V100C20MP11C	CF/CM/CU60C	1.00	1.04	0.94
TM9V100C20MP11C	CF/CM/CU60D	1.00	1.04	0.93
TM9V100C20MP12C	CF/CM/CU36C	0.98	1.12	0.92
TM9V100C20MP12C	CF/CM/CU42C	0.98	1.12	0.93
TM9V100C20MP12C	CF/CM/CU48C	1.00	1.13	0.94
TM9V100C20MP12C	CF/CM/CU60C	1.00	1.13	0.94
TM9V120D20MP11C	CF/CM/CU48D	1.00	1.08	0.93
TM9V120D20MP11C	CF/CM/CU60D	1.00	1.09	0.91
TM9V120D20MP11C	CF/CM36D	0.96	1.00	0.88
TM9V120D20MP11C	CF/CM42D	0.98	1.02	0.91
TM9V120D20MP12C	CF/CM/CU36D	0.96	1.11	0.86
TM9V120D20MP12C	CF/CM/CU42D	0.99	1.10	0.92
TM9V120D20MP12C	CF/CM/CU48D	1.00	1.12	0.93
TM9V120D20MP12C	CF/CM/CU60D	1.00	1.13	0.91
TM9Y060B12MP11	CF/CM/CU36B	0.96	1.05	0.98
TM9Y060B12MP11	CF/CM/CU36C	0.96	1.00	0.98
TM9Y060B12MP11	CF/CM/CU42C	0.98	0.99	0.98
TM9Y060B12MP11	CF/CM/CU48C	1.00	1.01	0.98
TM9Y060B12MP11	CF/CM/CU60C	1.00	0.98	0.98
TM9Y060B12MP11	CF42B	0.98	1.05	0.98
TM9Y080B12MP11	CF/CM/CU36B	0.96	0.95	0.92
TM9Y080B12MP11	CF42B	0.98	0.96	0.95
TM9Y080C16MP11	CF/CM/CU36C	0.96	1.01	0.91

FURNACE MULTIPLIERS- 3 TON (Continued)

Furnaces	Coil	T.C.	S.C.	KW
TM9Y080C16MP11	CF/CM/CU42C	0.98	1.00	0.93
TM9Y080C16MP11	CF/CM/CU48C	1.00	1.00	0.93
TM9Y080C16MP11	CF/CM/CU48D	1.00	1.00	0.93
TM9Y080C16MP11	CF/CM/CU60C	1.00	0.99	0.93
TM9Y080C16MP11	CF/CM/CU60D	1.00	1.00	0.93
TM9Y080C16MP11	CF/CM36D	0.96	1.01	0.91
TM9Y080C16MP11	CF/CM42D	0.98	1.00	0.91
TM9Y100C16MP11	CF/CM/CU36C	0.96	1.00	0.91
TM9Y100C16MP11	CF/CM/CU42C	0.98	1.00	0.91
TM9Y100C16MP11	CF/CM/CU48C	1.00	1.01	0.93
TM9Y100C16MP11	CF/CM/CU48D	1.00	1.01	0.91
TM9Y100C16MP11	CF/CM/CU60C	1.00	1.01	0.91
TM9Y100C16MP11	CF/CM/CU60D	1.00	1.01	0.91
TM9Y100C16MP11	CF/CM36D	0.96	1.00	0.91
TM9Y100C16MP11	CF/CM42D	0.98	1.00	0.91
TM9Y100C20MP11	CF/CM/CU36C	0.96	0.96	0.89
TM9Y100C20MP11	CF/CM/CU42C	0.98	0.97	0.91
TM9Y100C20MP11	CF/CM/CU48C	1.00	0.97	0.91
TM9Y100C20MP11	CF/CM/CU48D	1.00	0.97	0.91
TM9Y100C20MP11	CF/CM/CU60C	1.00	1.09	0.91
TM9Y100C20MP11	CF/CM/CU60D	1.00	0.97	0.91
TM9Y100C20MP11	CF/CM36D	0.96	0.96	0.89
TM9Y100C20MP11	CF/CM42D	0.98	0.97	0.91
TM9Y120D20MP11	CF/CM/CU48D	1.00	0.97	0.91
TM9Y120D20MP11	CF/CM/CU60D	1.00	0.97	0.89
TM9Y120D20MP11	CF/CM36D	0.96	0.96	0.88
TM9Y120D20MP11	CF/CM42D	0.98	0.97	0.90
TMLE040A12MP11	CF/CM/CU36B	0.96	1.03	0.94
TMLE040A12MP11	CF42B	0.98	1.00	0.95
TMLE060A12MP11	CF/CM/CU36B	0.96	1.03	0.94
TMLE060A12MP11	CF42B	0.98	1.00	0.95
TMLE080B12MP11	CF/CM/CU36B	0.96	1.03	0.94
TMLE080B12MP11	CF/CM/CU36C	0.96	1.03	0.94
TMLE080B12MP11	CF/CM/CU42C	0.98	1.04	0.93
TMLE080B12MP11	CF/CM/CU48C	1.00	1.04	0.94
TMLE080B12MP11	CF/CM/CU60C	1.00	1.03	0.96
TMLE080B12MP11	CF42B	0.98	1.02	0.95
TMLE080C16MP11	CF/CM/CU36C	0.96	1.06	0.91
TMLE080C16MP11	CF/CM/CU42C	0.98	1.06	0.91
TMLE080C16MP11	CF/CM/CU48C	1.00	1.07	0.93
TMLE080C16MP11	CF/CM/CU48D	1.00	1.07	0.93
TMLE080C16MP11	CF/CM/CU60C	1.00	1.13	0.94
TMLE080C16MP11	CF/CM/CU60D	1.00	1.06	0.93
TMLE080C16MP11	CF/CM36D	0.96	1.08	0.91
TMLE080C16MP11	CF/CM42D	0.98	1.07	0.91
TMLE080C20MP11	CF/CM/CU36C	0.96	1.13	0.91
TMLE080C20MP11	CF/CM/CU42C	0.98	1.13	0.91
TMLE080C20MP11	CF/CM/CU48C	1.00	1.13	0.93
TMLE080C20MP11	CF/CM/CU48D	1.00	1.16	0.93
TMLE080C20MP11	CF/CM/CU60C	1.00	1.12	0.93
TMLE080C20MP11	CF/CM/CU60D	1.00	1.14	0.93
TMLE080C20MP11	CF/CM36D	0.96	1.14	0.91
TMLE080C20MP11	CF/CM42D	0.98	1.15	0.91
TMLE100B12MP11	CF/CM/CU36B	0.96	1.05	0.94
TMLE100B12MP11	CF/CM/CU36C	0.96	1.06	0.94

FURNACE MULTIPLIERS- 3 TON (Continued)

Furnaces	Coil	T.C.	S.C.	KW
TMLE100B12MP11	CF/CM/CU42C	0.98	1.05	0.93
TMLE100B12MP11	CF/CM/CU48C	1.00	1.08	0.94
TMLE100B12MP11	CF/CM/CU60C	1.00	1.04	0.96
TMLE100B12MP11	CF42B	0.98	1.03	0.95
TMLE100C16MP11	CF/CM/CU36C	0.96	1.08	0.91
TMLE100C16MP11	CF/CM/CU42C	0.98	1.07	0.91
TMLE100C16MP11	CF/CM/CU48C	1.00	1.09	0.93
TMLE100C16MP11	CF/CM/CU48D	1.00	1.09	0.93
TMLE100C16MP11	CF/CM/CU60C	1.00	1.07	0.93
TMLE100C16MP11	CF/CM/CU60D	1.00	1.07	0.93
TMLE100C16MP11	CF/CM36D	0.96	1.08	0.91
TMLE100C16MP11	CF/CM42D	0.98	1.07	0.91
TMLE100C20MP11	CF/CM/CU36C	0.96	1.13	0.91
TMLE100C20MP11	CF/CM/CU42C	0.98	1.13	0.91
TMLE100C20MP11	CF/CM/CU48C	1.00	1.13	0.93
TMLE100C20MP11	CF/CM/CU48D	1.00	1.16	0.93
TMLE100C20MP11	CF/CM/CU60C	1.00	1.12	0.93
TMLE100C20MP11	CF/CM/CU60D	1.00	1.14	0.93
TMLE100C20MP11	CF/CM36D	0.96	1.14	0.91
TMLE100C20MP11	CF/CM42D	0.98	1.15	0.91
TMLE120C16MP11	CF/CM/CU36C	0.96	1.08	0.91
TMLE120C16MP11	CF/CM/CU42C	0.98	1.07	0.91
TMLE120C16MP11	CF/CM/CU48C	1.00	1.09	0.93
TMLE120C16MP11	CF/CM/CU48D	1.00	1.09	0.93
TMLE120C16MP11	CF/CM/CU60C	1.00	1.07	0.93
TMLE120C16MP11	CF/CM/CU60D	1.00	1.07	0.93
TMLE120C16MP11	CF/CM36D	0.96	1.08	0.91
TMLE120C16MP11	CF/CM42D	0.98	1.07	0.91
TMLE120C20MP11	CF/CM/CU36C	0.96	1.14	0.92
TMLE120C20MP11	CF/CM/CU42C	0.98	1.15	0.91
TMLE120C20MP11	CF/CM/CU48C	1.00	1.16	0.91
TMLE120C20MP11	CF/CM/CU48D	1.00	1.16	0.93
TMLE120C20MP11	CF/CM/CU60C	1.00	1.15	0.93
TMLE120C20MP11	CF/CM/CU60D	1.00	1.11	0.93
TMLE120C20MP11	CF/CM36D	0.96	1.07	0.94
TMLE120C20MP11	CF/CM42D	0.98	1.17	0.91
TMLE130D20MP11	CF/CM/CU48D	1.00	1.16	0.91
TMLE130D20MP11	CF/CM/CU60D	1.00	1.11	0.91
TMLE130D20MP11	CF/CM36D	0.96	1.07	0.94
TMLE130D20MP11	CF/CM42D	0.98	1.17	0.91
TMLV080C16MP11C	CF/CM/CU36C	0.96	1.00	0.91
TMLV080C16MP11C	CF/CM/CU42C	1.00	1.00	0.94
TMLV080C16MP11C	CF/CM/CU48C	1.00	1.01	0.93
TMLV080C16MP11C	CF/CM/CU48D	1.00	1.00	0.93
TMLV080C16MP11C	CF/CM/CU60C	1.00	1.00	0.93
TMLV080C16MP11C	CF/CM/CU60D	1.00	1.00	0.91
TMLV080C16MP12C	CF/CM/CU36C	0.96	1.08	0.91
TMLV080C16MP12C	CF/CM/CU42C	1.00	1.10	0.94
TMLV080C16MP12C	CF/CM/CU48C	1.00	1.07	0.93
TMLV080C16MP12C	CF/CM/CU60C	1.00	1.11	0.93
TMLV100C16MP11C	CF/CM/CU36C	0.96	1.00	0.91
TMLV100C16MP11C	CF/CM/CU42C	1.00	1.00	0.94
TMLV100C16MP11C	CF/CM/CU48C	1.00	1.01	0.93
TMLV100C16MP11C	CF/CM/CU48D	1.00	1.00	0.93
TMLV100C16MP11C	CF/CM/CU60C	1.00	1.00	0.93

FURNACE MULTIPLIERS- 3 TON (Continued)

Furnaces	Coil	T.C.	S.C.	KW
TPLC080C16MP12C	CF/CM/CU60C	1.00	1.00	0.93
TPLC080C16MP12C	CF/CM/CU60D	1.00	1.00	0.91
TPLC080C16MP13C	CF/CM/CU36C	0.96	1.08	0.91
TPLC080C16MP13C	CF/CM/CU42C	1.00	1.10	0.94
TPLC080C16MP13C	CF/CM/CU48C	1.00	1.07	0.93
TPLC080C16MP13C	CF/CM/CU60C	1.00	1.11	0.93
TPLC100C16MP12C	CF/CM/CU36C	0.96	1.00	0.91
TPLC100C16MP12C	CF/CM/CU42C	1.00	1.00	0.94
TPLC100C16MP12C	CF/CM/CU48C	1.00	1.01	0.93
TPLC100C16MP12C	CF/CM/CU48D	1.00	1.00	0.93
TPLC100C16MP12C	CF/CM/CU60C	1.00	1.00	0.93
TPLC100C16MP12C	CF/CM/CU60D	1.00	1.00	0.91
TPLC100C16MP13C	CF/CM/CU36C	0.96	1.08	0.91
TPLC100C16MP13C	CF/CM/CU42C	1.00	1.10	0.94
TPLC100C16MP13C	CF/CM/CU48C	1.00	1.07	0.93
TPLC100C16MP13C	CF/CM/CU60C	1.00	1.11	0.93
TPLC100C20MP12C	CF/CM/CU36C	0.96	1.04	0.91
TPLC100C20MP12C	CF/CM/CU42C	1.00	1.03	0.94
TPLC100C20MP12C	CF/CM/CU48C	1.00	1.08	0.93
TPLC100C20MP12C	CF/CM/CU48D	1.00	1.03	0.94
TPLC100C20MP12C	CF/CM/CU60C	1.00	1.07	0.93
TPLC100C20MP12C	CF/CM/CU60D	1.00	1.07	0.94
TPLC100C20MP13C	CF/CM/CU36C	0.97	1.08	0.91
TPLC100C20MP13C	CF/CM/CU42C	1.00	1.12	0.94
TPLC100C20MP13C	CF/CM/CU48C	1.00	1.08	0.93
TPLC100C20MP13C	CF/CM/CU60C	1.00	1.13	0.93
TPLC120C20MP12C	CF/CM/CU36C	0.96	1.04	0.91
TPLC120C20MP12C	CF/CM/CU42C	1.00	1.03	0.94
TPLC120C20MP12C	CF/CM/CU48C	1.00	1.08	0.93
TPLC120C20MP12C	CF/CM/CU48D	1.00	1.03	0.94
TPLC120C20MP12C	CF/CM/CU60C	1.00	1.07	0.93
TPLC120C20MP12C	CF/CM/CU60D	1.00	1.07	0.94
TPLC120C20MP13C	CF/CM/CU36C	0.97	1.08	0.91
TPLC120C20MP13C	CF/CM/CU42C	1.00	1.12	0.94
TPLC120C20MP13C	CF/CM/CU48C	1.00	1.08	0.93
TPLC120C20MP13C	CF/CM/CU60C	1.00	1.13	0.93
YP9C060B12MP12C	CF/CM/CU36B	0.96	0.99	0.92
YP9C060B12MP12C	CF42B	0.98	0.98	0.93
YP9C060B12MP13C	CF/CM/CU36B	0.96	1.00	0.96
YP9C060B12MP13C	CF/CM/CU36C	0.96	1.00	0.98
YP9C060B12MP13C	CF/CM/CU42C	0.98	1.00	0.96
YP9C060B12MP13C	CF/CM/CU48C	1.00	1.02	0.98
YP9C060B12MP13C	CF/CM/CU60C	1.00	1.00	0.98
YP9C060B12MP13C	CF42B	0.98	1.00	0.96
YP9C080B12MP12C	CF/CM/CU36B	0.96	0.99	0.92
YP9C080B12MP12C	CF42B	0.98	0.98	0.93
YP9C080B12MP13C	CF/CM/CU36B	0.97	1.10	0.94
YP9C080B12MP13C	CF42B	0.98	1.00	0.95
YP9C080C16MP12C	CF/CM/CU36C	0.96	0.97	0.89
YP9C080C16MP12C	CF/CM/CU42C	0.98	0.96	0.91
YP9C080C16MP12C	CF/CM/CU48C	1.00	1.07	0.94
YP9C080C16MP12C	CF/CM/CU48D	1.00	1.06	0.91
YP9C080C16MP12C	CF/CM/CU60C	1.00	1.06	0.91
YP9C080C16MP12C	CF/CM/CU60D	1.00	1.00	0.91
YP9C100C16MP12C	CF/CM/CU36C	0.96	0.97	0.89

FURNACE MULTIPLIERS- 3 TON (Continued)

Furnaces	Coil	T.C.	S.C.	KW
YP9C100C16MP12C	CF/CM/CU42C	0.98	0.96	0.91
YP9C100C16MP12C	CF/CM/CU48C	1.00	1.07	0.94
YP9C100C16MP12C	CF/CM/CU48D	1.00	1.06	0.91
YP9C100C16MP12C	CF/CM/CU60C	1.00	1.06	0.91
YP9C100C16MP12C	CF/CM/CU60D	1.00	1.00	0.91
YP9C100C16MP13C	CF/CM/CU36C	0.99	1.11	0.92
YP9C100C16MP13C	CF/CM/CU42C	1.00	1.09	0.93
YP9C100C16MP13C	CF/CM/CU48C	1.00	1.10	0.93
YP9C100C16MP13C	CF/CM/CU60C	1.00	1.10	0.91
YP9C100C20MP12C	CF/CM/CU36C	0.96	0.99	0.91
YP9C100C20MP12C	CF/CM/CU42C	0.98	1.06	0.95
YP9C100C20MP12C	CF/CM/CU48C	1.00	1.04	0.94
YP9C100C20MP12C	CF/CM/CU48D	1.00	1.07	0.94
YP9C100C20MP12C	CF/CM/CU60C	1.00	1.04	0.94
YP9C100C20MP12C	CF/CM/CU60D	1.00	1.04	0.93
YP9C100C20MP13C	CF/CM/CU36C	0.98	1.12	0.92
YP9C100C20MP13C	CF/CM/CU42C	0.98	1.12	0.93
YP9C100C20MP13C	CF/CM/CU48C	1.00	1.13	0.94
YP9C100C20MP13C	CF/CM/CU60C	1.00	1.13	0.94
YP9C120D20MP12C	CF/CM/CU48D	1.00	1.08	0.93
YP9C120D20MP12C	CF/CM/CU60D	1.00	1.09	0.91
YP9C120D20MP12C	CF/CM36D	0.96	1.00	0.88
YP9C120D20MP12C	CF/CM42D	0.98	1.02	0.91
YP9C120D20MP13C	CF/CM/CU36D	0.96	1.11	0.86
YP9C120D20MP13C	CF/CM/CU42D	0.99	1.10	0.92
YP9C120D20MP13C	CF/CM/CU48D	1.00	1.12	0.93
YP9C120D20MP13C	CF/CM/CU60D	1.00	1.13	0.91
YPLC080C16MP12C	CF/CM/CU36C	0.96	1.00	0.91
YPLC080C16MP12C	CF/CM/CU42C	1.00	1.00	0.94
YPLC080C16MP12C	CF/CM/CU48C	1.00	1.01	0.93
YPLC080C16MP12C	CF/CM/CU48D	1.00	1.00	0.93
YPLC080C16MP12C	CF/CM/CU60C	1.00	1.00	0.93
YPLC080C16MP12C	CF/CM/CU60D	1.00	1.00	0.91
YPLC080C16MP13C	CF/CM/CU36C	0.96	1.08	0.91
YPLC080C16MP13C	CF/CM/CU42C	1.00	1.10	0.94
YPLC080C16MP13C	CF/CM/CU48C	1.00	1.07	0.93
YPLC080C16MP13C	CF/CM/CU60C	1.00	1.11	0.93
YPLC100C16MP12C	CF/CM/CU36C	0.96	1.00	0.91
YPLC100C16MP12C	CF/CM/CU42C	1.00	1.00	0.94
YPLC100C16MP12C	CF/CM/CU48C	1.00	1.01	0.93
YPLC100C16MP12C	CF/CM/CU48D	1.00	1.00	0.93
YPLC100C16MP12C	CF/CM/CU60C	1.00	1.00	0.93
YPLC100C16MP12C	CF/CM/CU60D	1.00	1.00	0.91
YPLC100C16MP13C	CF/CM/CU36C	0.96	1.08	0.91
YPLC100C16MP13C	CF/CM/CU42C	1.00	1.10	0.94
YPLC100C16MP13C	CF/CM/CU48C	1.00	1.07	0.93
YPLC100C16MP13C	CF/CM/CU60C	1.00	1.11	0.93
YPLC100C20MP12C	CF/CM/CU36C	0.96	1.04	0.91
YPLC100C20MP12C	CF/CM/CU42C	1.00	1.03	0.94
YPLC100C20MP12C	CF/CM/CU48C	1.00	1.08	0.93
YPLC100C20MP12C	CF/CM/CU48D	1.00	1.03	0.94
YPLC100C20MP12C	CF/CM/CU60C	1.00	1.07	0.93
YPLC100C20MP12C	CF/CM/CU60D	1.00	1.07	0.94
YPLC100C20MP13C	CF/CM/CU36C	0.97	1.08	0.91
YPLC100C20MP13C	CF/CM/CU42C	1.00	1.12	0.94

FURNACE MULTIPLIERS- 3 TON (Continued)

Furnaces	Coil	T.C.	S.C.	KW
YPLC100C20MP13C	CF/CM/CU48C	1.00	1.08	0.93
YPLC100C20MP13C	CF/CM/CU60C	1.00	1.13	0.93
YPLC120C20MP12C	CF/CM/CU36C	0.96	1.04	0.91
YPLC120C20MP12C	CF/CM/CU42C	1.00	1.03	0.94
YPLC120C20MP12C	CF/CM/CU48C	1.00	1.08	0.93
YPLC120C20MP12C	CF/CM/CU48D	1.00	1.03	0.94
YPLC120C20MP12C	CF/CM/CU60C	1.00	1.07	0.93

FURNACE MULTIPLIERS- 3 TON (Continued)

Furnaces	Coil	T.C.	S.C.	KW
YPLC120C20MP12C	CF/CM/CU60D	1.00	1.07	0.94
YPLC120C20MP13C	CF/CM/CU36C	0.97	1.08	0.91
YPLC120C20MP13C	CF/CM/CU42C	1.00	1.12	0.94
YPLC120C20MP13C	CF/CM/CU48C	1.00	1.08	0.93
YPLC120C20MP13C	CF/CM/CU60C	1.00	1.13	0.93

PERFORMANCE DATA - 4 TON 208-230 Volt

CONDENSER-ONLY DATA (OUTDOOR UNIT)																		
MODEL	SATURATED SUCTION @ COMPRESSOR		Outdoor Ambient Temperature															
			55 °F		65 °F		75 °F		85 °F		95 °F		105 °F		115 °F		125 °F	
	T (°F)	P (PSIG)	MBH	KW	MBH	KW	MBH	KW	MBH	KW	MBH	KW	MBH	KW	MBH	KW	MBH	KW
TCG48B31S	35	111	43.8	2.33	40.2	2.58	38.2	2.86	36.0	3.18	33.7	3.55	31.2	4.00	28.6	4.53	26.0	5.16
	40	118	46.5	2.33	44.4	2.57	42.2	2.85	39.9	3.16	37.3	3.52	34.7	3.97	31.9	4.49	29.1	5.10
	45	130	51.2	2.32	49.0	2.56	46.6	2.83	44.0	3.14	41.3	3.50	38.4	3.93	35.5	4.45	32.4	5.04
	50	142	56.3	2.31	54.1	2.52	51.2	2.82	48.4	3.12	45.4	3.47	42.4	3.90	39.2	4.41	35.9	4.98
	55	156	61.5	2.32	59.1	2.54	56.1	2.80	53.1	3.10	49.9	3.44	46.6	3.86	43.2	4.37	39.7	4.93

Notes:

- For Outdoor Unit (Condenser) performance only. Data does not include the effects of air handler power or heat.
- Performance based on 15°F subcooling and 15°F superheat at the Outdoor Unit base valves.
 - Increase capacity by 1% for each 2°F increase in subcooling.
 - Decrease capacity by 1% for each 2°F decrease in subcooling.
- Maximum recommended condensing temperature is 140°F.

COOLING PERFORMANCE DATA																
OUTDOOR UNIT MODEL NO.		TCG48B31S														
INDOOR COIL MODEL NO.		CF60CXA1														
AIR TEMP. ENTERING OUTDOOR UNIT (°F)	ID CFM	1300					1500					1700				
	ID DB (°F)	80	80	75	80	80	80	80	75	80	80	80	80	75	80	80
	ID WB (°F)	57	62	62	67	72	57	62	62	67	72	57	62	62	67	72
55	T.C.	43.4	46.5	45.6	48.0	47.9	44.7	47.2	46.6	48.4	48.1	46.1	47.9	47.6	48.8	48.3
	S.C.	43.4	39.3	32.9	31.5	23.9	44.7	41.0	34.5	32.7	24.6	46.1	42.7	36.1	33.9	25.3
	KW	2.33	2.34	2.34	2.35	2.36	2.40	2.41	2.41	2.43	2.43	2.48	2.49	2.49	2.51	2.51
65	T.C.	41.9	45.3	44.8	48.0	49.5	43.5	46.2	45.8	48.7	49.9	45.1	47.1	46.9	49.5	50.3
	S.C.	41.9	38.8	32.6	31.9	24.4	43.5	41.0	34.5	33.4	25.3	45.1	43.2	36.3	35.0	26.2
	KW	2.56	2.58	2.57	2.59	2.59	2.64	2.66	2.65	2.67	2.66	2.71	2.73	2.72	2.74	2.74
75	T.C.	40.4	44.1	44.0	47.9	51.1	42.3	45.2	45.1	49.0	51.7	44.1	46.2	46.2	50.1	52.2
	S.C.	40.4	38.4	32.3	32.2	24.8	42.3	41.1	34.4	34.2	25.9	44.1	43.8	36.6	36.2	27.0
	KW	2.80	2.83	2.81	2.83	2.82	2.88	2.91	2.88	2.91	2.90	2.95	2.98	2.95	2.98	2.97
85	T.C.	39.1	42.3	42.2	46.2	49.7	40.8	43.4	43.2	47.3	50.4	42.5	44.4	44.2	48.3	51.1
	S.C.	39.1	37.4	31.5	31.5	24.3	40.8	40.1	33.6	33.6	25.5	42.5	42.9	35.8	35.7	26.7
	KW	3.14	3.16	3.14	3.16	3.14	3.21	3.24	3.22	3.24	3.22	3.29	3.31	3.29	3.31	3.30
95	T.C.	37.7	40.4	40.3	44.4	48.4	39.3	41.5	41.3	45.5	49.2	40.8	42.7	42.3	46.6	49.9
	S.C.	37.7	36.4	30.6	30.7	23.8	39.3	39.2	32.8	33.0	25.1	40.8	42.0	35.0	35.3	26.3
	KW	3.48	3.50	3.48	3.50	3.47	3.55	3.57	3.55	3.57	3.55	3.63	3.64	3.63	3.64	3.63
105	T.C.	35.7	37.9	38.0	41.9	45.9	37.2	39.0	38.9	42.9	46.6	38.7	40.1	39.8	43.8	47.4
	S.C.	35.7	34.9	29.5	29.6	22.9	37.2	37.4	31.6	31.8	24.1	38.7	39.9	33.7	34.0	25.4
	KW	4.00	4.01	3.99	4.00	3.96	4.07	4.08	4.07	4.07	4.04	4.14	4.15	4.14	4.13	4.12
115	T.C.	33.8	35.5	35.7	39.5	43.4	35.2	36.5	36.6	40.3	44.2	36.6	37.6	37.4	41.1	44.9
	S.C.	33.8	33.5	28.3	28.6	22.0	35.2	35.6	30.4	30.7	23.2	36.6	37.6	32.5	32.8	24.5
	KW	4.51	4.51	4.49	4.48	4.44	4.57	4.58	4.56	4.55	4.51	4.63	4.64	4.63	4.61	4.59
125	T.C.	31.9	33.1	33.5	37.1	40.9	33.2	34.1	34.2	37.8	41.7	34.5	35.1	35.0	38.5	42.5
	S.C.	31.9	32.0	27.2	27.5	21.0	33.2	33.9	29.2	29.6	22.3	34.5	35.1	31.2	31.6	23.6
	KW	5.01	5.01	4.99	4.96	4.91	5.07	5.07	5.06	5.03	4.99	5.13	5.14	5.13	5.10	5.06

ALL CAPACITIES INCLUDE INDOOR FAN HEAT. KW VALUES ARE FOR THE SYSTEM (OUTDOOR + INDOOR).

Green shaded cells are ACCA (TVA) conditions.

Blue shaded cells are AHRI conditions.

Multipliers for determining the performance with other indoor sections.

NOTE: For dry bulb temperatures different than those listed (between 73-87 °F), sensible capacity increases by 1060 BTUH per 1000 CFM per degree above the listed temperature and decreases by 1060 BTUH per 1000 CFM per degree below the listed temperature.

COIL MULTIPLIERS- 4 TON

Air Handler	Coil	T.C.	S.C.	KW
-	CF/CM/CU48C	0.99	0.99	1.03
-	CF/CM/CU48D	0.99	0.99	1.03
-	CF/CM/CU60C	1.00	1.00	1.00
-	CF/CM/CU60D	1.01	1.01	1.01
-	CF/CM64D	1.03	1.02	1.01
AE48CX21	-	1.00	0.98	0.96
AE48DX21	-	1.01	0.98	0.94
AE60CX21	-	1.02	1.01	0.95
AE60DX21	-	1.03	1.01	0.94
AP48CX21	-	0.98	0.92	1.00
AP48DX21	-	0.99	0.96	1.01
AP60CX21	-	1.01	1.00	1.03
AP60DX21	-	1.01	1.03	1.03
AVC48CX21	-	1.00	0.95	0.96
AVC48DX21	-	1.01	1.00	0.94
AVC60CX21	-	1.01	0.97	0.94
AVC60DX21	-	1.02	0.97	0.95
ME14DN21	CF/CM60D	1.02	0.99	0.95
ME14DN21	CF/CM64D	1.04	1.03	0.99
ME16CN21	CF/CM48C	1.01	1.00	0.95
ME16CN21	CF/CM60C	1.02	1.01	0.95
ME20DN21	CF/CM48D	1.01	1.01	0.94
ME20DN21	CF/CM60D	1.02	1.01	0.95
ME20DN21	CF/CM64D	1.03	1.01	0.96
MVC14DN21	CF/CM48D	1.00	0.95	0.94
MVC16CN21	CF/CM48C	1.00	0.95	0.94
MVC16CN21	CF/CM60C	1.00	0.94	0.93
MVC20DN21	CF/CM48D	1.00	0.95	0.94
MVC20DN21	CF/CM60D	1.02	1.01	0.95
MVC20DN21	CF/CM64D	1.02	0.99	0.93

FURNACE MULTIPLIERS- 4 TON

Furnaces	Coil	T.C.	S.C.	KW
TL8E080C16UH11	CF/CM/CU48C	0.99	1.04	0.99
TL8E080C16UH11	CF/CM/CU48D	0.99	1.04	0.97
TL8E080C16UH11	CF/CM/CU60C	1.00	1.03	1.00
TL8E080C16UH11	CF/CM/CU60D	1.02	1.06	1.00
TL8E080C16UH11	CF/CM64D	1.03	1.07	0.99
TL8E100C20UH11	CF/CM/CU48C	1.00	1.05	0.96
TL8E100C20UH11	CF/CM/CU48D	1.00	1.05	0.96
TL8E100C20UH11	CF/CM/CU60C	1.00	1.03	0.96
TL8E100C20UH11	CF/CM/CU60D	1.02	1.08	0.96
TL8E100C20UH11	CF/CM64D	1.03	1.06	0.98
TL9E080C16UH11	CF/CM/CU48C	0.99	1.04	1.01
TL9E080C16UH11	CF/CM/CU48D	0.99	1.04	0.99
TL9E080C16UH11	CF/CM/CU60C	1.00	1.04	1.02
TL9E080C16UH11	CF/CM/CU60D	1.01	1.06	1.01
TL9E080C16UH11	CF/CM64D	1.02	1.05	1.00
TL9E100C20UH11	CF/CM/CU48C	1.00	1.05	0.98
TL9E100C20UH11	CF/CM/CU48D	1.00	1.05	0.96
TL9E100C20UH11	CF/CM/CU60C	1.00	1.03	0.98
TL9E100C20UH11	CF/CM/CU60D	1.02	1.08	0.98
TL9E100C20UH11	CF/CM64D	1.03	1.06	0.98
TM8E080B12MP11	CF/CM/CU48C	0.98	1.00	1.00
TM8E080B12MP11	CF/CM/CU60C	0.99	1.00	1.03
TM8E080C16MP11	CF/CM/CU48C	0.97	1.02	1.01
TM8E080C16MP11	CF/CM/CU48D	0.98	1.03	1.02
TM8E080C16MP11	CF/CM/CU60C	1.01	1.09	1.03
TM8E080C16MP11	CF/CM/CU60D	1.01	1.10	1.03
TM8E080C16MP11	CF/CM64D	1.04	1.13	1.04
TM8E080C20MP11	CF/CM/CU48C	1.00	1.06	0.96
TM8E080C20MP11	CF/CM/CU48D	1.01	1.08	0.97
TM8E080C20MP11	CF/CM/CU60C	1.01	1.06	0.99
TM8E080C20MP11	CF/CM/CU60D	1.01	1.07	0.99
TM8E080C20MP11	CF/CM64D	1.04	1.09	0.99
TM8E100C16MP11	CF/CM/CU48C	0.99	1.01	0.97
TM8E100C16MP11	CF/CM/CU48D	0.99	1.01	0.97
TM8E100C16MP11	CF/CM/CU60C	1.01	1.09	1.03
TM8E100C16MP11	CF/CM/CU60D	0.99	1.00	0.97
TM8E100C16MP11	CF/CM64D	1.01	1.03	0.95
TM8E100C20MP11	CF/CM/CU48C	1.00	1.05	0.98
TM8E100C20MP11	CF/CM/CU48D	1.01	1.07	0.97
TM8E100C20MP11	CF/CM/CU60C	1.00	1.04	0.98
TM8E100C20MP11	CF/CM/CU60D	1.01	1.06	0.99
TM8E100C20MP11	CF/CM64D	1.03	1.07	0.98
TM8E120C16MP11	CF/CM/CU48C	0.99	1.01	0.97
TM8E120C16MP11	CF/CM/CU48D	0.99	1.01	0.95
TM8E120C16MP11	CF/CM/CU60C	0.99	1.00	0.97
TM8E120C16MP11	CF/CM/CU60D	1.00	1.02	0.98
TM8E120C16MP11	CF/CM64D	1.01	1.03	0.95
TM8E120C20MP11	CF/CM/CU48C	1.00	1.05	0.96
TM8E120C20MP11	CF/CM/CU48D	1.01	1.07	0.97
TM8E120C20MP11	CF/CM/CU60C	1.01	1.05	0.97
TM8E120C20MP11	CF/CM/CU60D	0.99	1.00	0.95
TM8E120C20MP11	CF/CM64D	1.03	1.07	0.98
TM8E130D20MP11	CF/CM/CU48D	1.00	1.05	0.96
TM8E130D20MP11	CF/CM/CU60D	1.01	1.06	0.97
TM8E130D20MP11	CF/CM64D	1.04	1.09	0.97

FURNACE MULTIPLIERS- 4 TON (Continued)

Furnaces	Coil	T.C.	S.C.	KW
TM8V080C16MP11C	CF/CM/CU48C	1.00	0.96	1.00
TM8V080C16MP11C	CF/CM/CU48D	1.00	0.97	0.98
TM8V080C16MP11C	CF/CM/CU60C	1.01	0.98	0.99
TM8V080C16MP11C	CF/CM/CU60D	1.01	0.98	0.97
TM8V080C16MP11C	CF/CM64D	1.01	0.96	0.97
TM8V080C16MP12C	CF/CM/CU48C	0.99	1.04	0.97
TM8V080C16MP12C	CF/CM/CU60C	1.00	1.05	0.96
TM8V080C16MP12C	CF/CM64D	1.02	1.06	0.96
TM8V100C16MP11C	CF/CM/CU48C	1.00	0.96	1.00
TM8V100C16MP11C	CF/CM/CU48D	1.00	0.97	0.98
TM8V100C16MP11C	CF/CM/CU60C	1.01	0.98	0.99
TM8V100C16MP11C	CF/CM/CU60D	1.01	0.98	0.97
TM8V100C16MP11C	CF/CM64D	1.01	0.96	0.97
TM8V100C16MP12C	CF/CM/CU48C	0.99	1.04	0.97
TM8V100C16MP12C	CF/CM/CU60C	1.00	1.05	0.96
TM8V100C16MP12C	CF/CM64D	1.02	1.06	0.96
TM8V100C20MP11C	CF/CM/CU48C	0.99	0.94	0.97
TM8V100C20MP11C	CF/CM/CU48D	1.01	0.99	0.97
TM8V100C20MP11C	CF/CM/CU60C	1.01	0.99	0.97
TM8V100C20MP11C	CF/CM64D	1.03	1.01	0.99
TM8V100C20MP12C	CF/CM/CU48C	1.00	1.05	0.98
TM8V100C20MP12C	CF/CM/CU60C	0.99	1.00	0.95
TM8V100C20MP12C	CF/CM64D	1.02	1.06	0.98
TM8V120C20MP11C	CF/CM/CU48C	0.99	0.94	0.97
TM8V120C20MP11C	CF/CM/CU48D	1.01	0.99	0.97
TM8V120C20MP11C	CF/CM/CU60C	1.01	0.99	0.97
TM8V120C20MP11C	CF/CM64D	1.03	1.01	0.99
TM8V120C20MP12C	CF/CM/CU48C	1.00	1.05	0.98
TM8V120C20MP12C	CF/CM/CU60C	0.99	1.00	0.95
TM8V120C20MP12C	CF/CM64D	1.02	1.06	0.98
TM8X080C16MP11	CF/CM/CU48C	1.00	0.98	0.98
TM8X080C16MP11	CF/CM/CU48D	1.00	0.99	0.98
TM8X080C16MP11	CF/CM/CU60C	1.01	0.99	0.97
TM8X080C16MP11	CF/CM/CU60D	1.01	1.01	0.97
TM8X080C16MP11	CF/CM64D	1.02	1.01	0.96
TM8X100C16MP11	CF/CM/CU48C	1.00	0.98	0.98
TM8X100C16MP11	CF/CM/CU48D	1.00	0.99	0.98
TM8X100C16MP11	CF/CM/CU60C	1.01	0.99	0.97
TM8X100C16MP11	CF/CM/CU60D	1.01	1.01	0.97
TM8X100C16MP11	CF/CM64D	1.02	1.01	0.96
TM8X100C20MP11	CF/CM/CU48C	1.00	0.99	0.96
TM8X100C20MP11	CF/CM/CU48D	0.99	0.95	0.93
TM8X100C20MP11	CF/CM/CU60C	1.02	1.01	0.96
TM8X100C20MP11	CF/CM/CU60D	1.02	1.02	0.96
TM8X100C20MP11	CF/CM64D	1.03	1.02	0.96
TM8X120C20MP11	CF/CM/CU48C	1.00	0.99	0.96
TM8X120C20MP11	CF/CM/CU48D	0.99	0.95	0.93
TM8X120C20MP11	CF/CM/CU60C	1.02	1.01	0.96
TM8X120C20MP11	CF/CM/CU60D	1.02	1.02	0.96
TM8X120C20MP11	CF/CM64D	1.03	1.02	0.96
TM8Y080C16MP11	CF/CM/CU48C	1.00	0.98	0.98
TM8Y080C16MP11	CF/CM/CU48D	1.00	0.99	0.98
TM8Y080C16MP11	CF/CM/CU60C	1.01	0.99	0.97
TM8Y080C16MP11	CF/CM/CU60D	1.01	1.01	0.97
TM8Y080C16MP11	CF/CM64D	1.02	1.01	0.96

FURNACE MULTIPLIERS- 4 TON (Continued)

Furnaces	Coil	T.C.	S.C.	KW
TM8Y100C16MP11	CF/CM/CU48C	1.00	0.98	0.98
TM8Y100C16MP11	CF/CM/CU48D	1.00	0.99	0.98
TM8Y100C16MP11	CF/CM/CU60C	1.01	0.99	0.97
TM8Y100C16MP11	CF/CM/CU60D	1.01	1.01	0.97
TM8Y100C16MP11	CF/CM64D	1.02	1.01	0.96
TM8Y100C20MP11	CF/CM/CU48C	1.00	0.99	0.96
TM8Y100C20MP11	CF/CM/CU48D	0.99	0.95	0.93
TM8Y100C20MP11	CF/CM/CU60C	1.02	1.01	0.96
TM8Y100C20MP11	CF/CM/CU60D	1.02	1.02	0.96
TM8Y100C20MP11	CF/CM64D	1.03	1.02	0.96
TM8Y120C20MP11	CF/CM/CU48C	1.00	0.99	0.96
TM8Y120C20MP11	CF/CM/CU48D	0.99	0.95	0.93
TM8Y120C20MP11	CF/CM/CU60C	1.02	1.01	0.96
TM8Y120C20MP11	CF/CM/CU60D	1.02	1.02	0.96
TM8Y120C20MP11	CF/CM64D	1.03	1.02	0.96
TM9E080B12MP12	CF/CM/CU48C	0.98	1.00	1.00
TM9E080B12MP12	CF/CM/CU60C	0.99	1.00	1.03
TM9E080C16MP11	CF/CM/CU48C	0.99	0.98	0.97
TM9E080C16MP11	CF/CM/CU48D	0.99	0.98	0.97
TM9E080C16MP11	CF/CM/CU60C	0.98	0.97	0.96
TM9E080C16MP11	CF/CM/CU60D	1.00	1.00	0.96
TM9E080C16MP11	CF/CM64D	1.01	1.00	0.97
TM9E080C20MP12	CF/CM/CU48C	1.00	1.05	0.98
TM9E080C20MP12	CF/CM/CU48D	1.00	1.05	0.96
TM9E080C20MP12	CF/CM/CU60C	1.00	1.03	0.98
TM9E080C20MP12	CF/CM/CU60D	1.01	1.05	0.99
TM9E080C20MP12	CF/CM64D	1.02	1.06	0.96
TM9E100C16MP11	CF/CM/CU48C	0.99	0.93	0.97
TM9E100C16MP11	CF/CM/CU48D	0.99	0.94	0.97
TM9E100C16MP11	CF/CM/CU60C	1.00	0.95	0.98
TM9E100C16MP11	CF/CM/CU60D	1.00	0.95	0.96
TM9E100C16MP11	CF/CM64D	1.01	0.96	0.97
TM9E100C16MP12	CF/CM/CU60D	1.01	1.10	1.05
TM9E100C20MP11	CF/CM/CU48C	1.00	0.98	0.96
TM9E100C20MP11	CF/CM/CU48D	1.00	0.99	0.96
TM9E100C20MP11	CF/CM/CU60C	1.01	0.99	0.95
TM9E100C20MP11	CF/CM/CU60D	1.02	1.01	0.96
TM9E100C20MP11	CF/CM64D	1.03	1.01	0.98
TM9E100C20MP12	CF/CM/CU48C	1.00	1.05	0.96
TM9E100C20MP12	CF/CM/CU48D	1.00	1.05	0.96
TM9E100C20MP12	CF/CM/CU60C	1.00	1.03	0.96
TM9E100C20MP12	CF/CM/CU60D	1.01	1.05	0.97
TM9E100C20MP12	CF/CM64D	1.02	1.06	0.96
TM9E120D20MP11	CF/CM/CU48D	1.01	0.99	0.97
TM9E120D20MP11	CF/CM/CU60D	1.02	1.01	0.96
TM9E120D20MP11	CF/CM64D	1.03	1.01	0.96
TM9E120D20MP12	CF/CM/CU48D	1.00	1.06	0.98
TM9E120D20MP12	CF/CM/CU60D	1.01	1.06	0.99
TM9E120D20MP12	CF/CM64D	1.03	1.08	0.98
TM9V080C16MP11C	CF/CM/CU48C	0.99	0.93	0.99
TM9V080C16MP11C	CF/CM/CU48D	1.01	0.99	0.97
TM9V080C16MP11C	CF/CM/CU60C	1.00	0.95	0.96
TM9V080C16MP11C	CF/CM/CU60D	1.01	0.98	0.97
TM9V080C16MP11C	CF/CM64D	1.02	0.96	0.96
TM9V080C16MP12C	CF/CM/CU48C	0.99	0.99	0.97

FURNACE MULTIPLIERS- 4 TON (Continued)

Furnaces	Coil	T.C.	S.C.	KW
TM9V080C16MP12C	CF/CM/CU48D	1.00	1.01	0.96
TM9V080C16MP12C	CF/CM/CU60C	0.99	1.00	0.97
TM9V080C16MP12C	CF/CM/CU60D	0.99	1.00	0.97
TM9V080C16MP12C	CF/CM64D	1.02	1.03	0.96
TM9V100C16MP11C	CF/CM/CU48C	0.99	0.93	0.99
TM9V100C16MP11C	CF/CM/CU48D	1.01	0.99	0.97
TM9V100C16MP11C	CF/CM/CU60C	1.00	0.95	0.96
TM9V100C16MP11C	CF/CM/CU60D	1.01	0.98	0.97
TM9V100C16MP11C	CF/CM64D	1.02	0.96	0.96
TM9V100C16MP12C	CF/CM/CU48C	1.00	1.07	0.98
TM9V100C16MP12C	CF/CM/CU60C	1.02	1.09	0.98
TM9V100C16MP12C	CF/CM64D	1.03	1.10	0.98
TM9V100C20MP11C	CF/CM/CU48C	1.00	0.93	1.00
TM9V100C20MP11C	CF/CM/CU48D	1.00	0.93	1.00
TM9V100C20MP11C	CF/CM/CU60C	1.00	0.95	0.98
TM9V100C20MP11C	CF/CM/CU60D	1.00	0.95	0.98
TM9V100C20MP11C	CF/CM64D	1.02	0.96	0.98
TM9V100C20MP12C	CF/CM/CU48C	1.00	1.07	1.00
TM9V100C20MP12C	CF/CM/CU60C	1.02	1.09	1.00
TM9V100C20MP12C	CF/CM64D	1.03	1.10	0.98
TM9V120D20MP11C	CF/CM/CU48D	1.00	0.94	0.98
TM9V120D20MP11C	CF/CM/CU60D	1.02	0.99	0.98
TM9V120D20MP11C	CF/CM64D	1.03	1.03	0.99
TM9V120D20MP12C	CF/CM/CU48D	0.99	1.03	0.95
TM9V120D20MP12C	CF/CM/CU60D	1.01	1.05	0.95
TM9V120D20MP12C	CF/CM64D	1.02	1.06	0.98
TM9Y080C16MP11	CF/CM/CU48C	0.99	0.98	0.97
TM9Y080C16MP11	CF/CM/CU48D	0.99	0.98	0.97
TM9Y080C16MP11	CF/CM/CU60C	0.98	0.97	0.96
TM9Y080C16MP11	CF/CM/CU60D	1.00	1.00	0.96
TM9Y080C16MP11	CF/CM64D	1.01	1.00	0.97
TM9Y100C16MP11	CF/CM/CU48C	0.99	0.93	0.97
TM9Y100C16MP11	CF/CM/CU48D	0.99	0.94	0.97
TM9Y100C16MP11	CF/CM/CU60C	1.00	0.95	0.98
TM9Y100C16MP11	CF/CM/CU60D	1.00	0.95	0.96
TM9Y100C16MP11	CF/CM64D	1.01	0.96	0.97
TM9Y100C20MP11	CF/CM/CU48C	1.00	0.98	0.96
TM9Y100C20MP11	CF/CM/CU48D	1.00	0.99	0.96
TM9Y100C20MP11	CF/CM/CU60C	1.01	0.99	0.95
TM9Y100C20MP11	CF/CM/CU60D	1.02	1.01	0.96
TM9Y100C20MP11	CF/CM64D	1.03	1.01	0.98
TM9Y120D20MP11	CF/CM/CU48D	1.01	0.99	0.97
TM9Y120D20MP11	CF/CM/CU60D	1.02	1.01	0.96
TM9Y120D20MP11	CF/CM64D	1.03	1.01	0.96
TMLE080B12MP11	CF/CM/CU48C	0.98	1.00	1.00
TMLE080B12MP11	CF/CM/CU60C	0.99	1.00	1.03
TMLE080C16MP11	CF/CM/CU48C	0.97	1.02	1.01
TMLE080C16MP11	CF/CM/CU48D	0.98	1.03	1.02
TMLE080C16MP11	CF/CM/CU60C	1.01	1.09	1.03
TMLE080C16MP11	CF/CM/CU60D	1.01	1.10	1.03
TMLE080C16MP11	CF/CM64D	1.04	1.13	1.04
TMLE080C20MP11	CF/CM/CU48C	1.00	1.06	0.96
TMLE080C20MP11	CF/CM/CU48D	1.01	1.08	0.97
TMLE080C20MP11	CF/CM/CU60C	1.01	1.06	0.99
TMLE080C20MP11	CF/CM/CU60D	1.01	1.07	0.99

FURNACE MULTIPLIERS- 4 TON (Continued)

Furnaces	Coil	T.C.	S.C.	KW
TMLE080C20MP11	CF/CM64D	1.04	1.09	0.99
TMLE100C16MP11	CF/CM/CU48C	0.99	1.01	0.97
TMLE100C16MP11	CF/CM/CU48D	0.99	1.01	0.97
TMLE100C16MP11	CF/CM/CU60C	1.01	1.09	1.03
TMLE100C16MP11	CF/CM/CU60D	0.99	1.00	0.97
TMLE100C16MP11	CF/CM64D	1.01	1.03	0.95
TMLE100C20MP11	CF/CM/CU48C	1.00	1.05	0.98
TMLE100C20MP11	CF/CM/CU48D	1.01	1.07	0.97
TMLE100C20MP11	CF/CM/CU60C	1.00	1.04	0.98
TMLE100C20MP11	CF/CM/CU60D	1.01	1.06	0.99
TMLE100C20MP11	CF/CM64D	1.03	1.07	0.98
TMLE120C16MP11	CF/CM/CU48C	0.99	1.01	0.97
TMLE120C16MP11	CF/CM/CU48D	0.99	1.01	0.95
TMLE120C16MP11	CF/CM/CU60C	0.99	1.00	0.97
TMLE120C16MP11	CF/CM/CU60D	1.00	1.02	0.98
TMLE120C16MP11	CF/CM64D	1.01	1.03	0.95
TMLE120C20MP11	CF/CM/CU48C	1.00	1.05	0.96
TMLE120C20MP11	CF/CM/CU48D	1.01	1.07	0.97
TMLE120C20MP11	CF/CM/CU60C	1.01	1.05	0.97
TMLE120C20MP11	CF/CM/CU60D	0.99	1.00	0.95
TMLE120C20MP11	CF/CM64D	1.03	1.07	0.98
TMLE130D20MP11	CF/CM/CU48D	1.00	1.05	0.96
TMLE130D20MP11	CF/CM/CU60D	1.01	1.06	0.97
TMLE130D20MP11	CF/CM64D	1.04	1.09	0.97
TMLV080C16MP11C	CF/CM/CU48C	1.00	0.96	1.00
TMLV080C16MP11C	CF/CM/CU48D	1.00	0.97	0.98
TMLV080C16MP11C	CF/CM/CU60C	1.01	0.98	0.99
TMLV080C16MP11C	CF/CM/CU60D	1.01	0.98	0.97
TMLV080C16MP11C	CF/CM64D	1.01	0.96	0.97
TMLV080C16MP12C	CF/CM/CU48C	0.99	1.04	0.97
TMLV080C16MP12C	CF/CM/CU60C	1.00	1.05	0.96
TMLV080C16MP12C	CF/CM64D	1.02	1.06	0.96
TMLV100C16MP11C	CF/CM/CU48C	1.00	0.96	1.00
TMLV100C16MP11C	CF/CM/CU48D	1.00	0.97	0.98
TMLV100C16MP11C	CF/CM/CU60C	1.01	0.98	0.99
TMLV100C16MP11C	CF/CM/CU60D	1.01	0.98	0.97
TMLV100C16MP11C	CF/CM64D	1.01	0.96	0.97
TMLV100C16MP12C	CF/CM/CU48C	0.99	1.04	0.97
TMLV100C16MP12C	CF/CM/CU60C	1.00	1.05	0.96
TMLV100C16MP12C	CF/CM64D	1.02	1.06	0.96
TMLV100C20MP11C	CF/CM/CU48C	0.99	0.94	0.97
TMLV100C20MP11C	CF/CM/CU48D	1.01	0.99	0.97
TMLV100C20MP11C	CF/CM/CU60C	1.01	0.99	0.97
TMLV100C20MP11C	CF/CM64D	1.03	1.01	0.99
TMLV100C20MP12C	CF/CM/CU48C	1.00	1.05	0.98
TMLV100C20MP12C	CF/CM/CU60C	0.99	1.00	0.95
TMLV100C20MP12C	CF/CM64D	1.02	1.06	0.98
TMLV120C20MP11C	CF/CM/CU48C	0.99	0.94	0.97
TMLV120C20MP11C	CF/CM/CU48D	1.01	0.99	0.97
TMLV120C20MP11C	CF/CM/CU60C	1.01	0.99	0.97
TMLV120C20MP11C	CF/CM64D	1.03	1.01	0.99
TMLV120C20MP12C	CF/CM/CU48C	1.00	1.05	0.98
TMLV120C20MP12C	CF/CM/CU60C	0.99	1.00	0.95
TMLV120C20MP12C	CF/CM64D	1.02	1.06	0.98
TMLX080C16MP11	CF/CM/CU48C	1.00	0.98	0.98

FURNACE MULTIPLIERS- 4 TON (Continued)

Furnaces	Coil	T.C.	S.C.	KW
TMLX080C16MP11	CF/CM/CU48D	1.00	0.99	0.98
TMLX080C16MP11	CF/CM/CU60C	1.01	0.99	0.97
TMLX080C16MP11	CF/CM/CU60D	1.01	1.01	0.97
TMLX080C16MP11	CF/CM64D	1.02	1.01	0.96
TMLX100C16MP11	CF/CM/CU48C	1.00	0.98	0.98
TMLX100C16MP11	CF/CM/CU48D	1.00	0.99	0.98
TMLX100C16MP11	CF/CM/CU60C	1.01	0.99	0.97
TMLX100C16MP11	CF/CM/CU60D	1.01	1.01	0.97
TMLX100C16MP11	CF/CM64D	1.02	1.01	0.96
TMLX100C20MP11	CF/CM/CU48C	1.00	0.99	0.96
TMLX100C20MP11	CF/CM/CU48D	0.99	0.95	0.93
TMLX100C20MP11	CF/CM/CU60C	1.02	1.01	0.96
TMLX100C20MP11	CF/CM/CU60D	1.02	1.02	0.96
TMLX100C20MP11	CF/CM64D	1.03	1.02	0.96
TMLX120C20MP11	CF/CM/CU48C	1.00	0.99	0.96
TMLX120C20MP11	CF/CM/CU48D	0.99	0.95	0.93
TMLX120C20MP11	CF/CM/CU60C	1.02	1.01	0.96
TMLX120C20MP11	CF/CM/CU60D	1.02	1.02	0.96
TMLX120C20MP11	CF/CM64D	1.03	1.02	0.96
TP9C080C16MP12C	CF/CM/CU48C	0.99	0.93	0.99
TP9C080C16MP12C	CF/CM/CU48D	1.01	0.99	0.97
TP9C080C16MP12C	CF/CM/CU60C	1.00	0.95	0.96
TP9C080C16MP12C	CF/CM/CU60D	1.01	0.98	0.97
TP9C080C16MP12C	CF/CM64D	1.02	0.96	0.96
TP9C080C16MP13C	CF/CM/CU48C	0.99	0.99	0.97
TP9C080C16MP13C	CF/CM/CU48D	1.00	1.01	0.96
TP9C080C16MP13C	CF/CM/CU60C	0.99	1.00	0.97
TP9C080C16MP13C	CF/CM64D	1.02	1.03	0.96
TP9C100C16MP12C	CF/CM/CU48C	0.99	0.93	0.99
TP9C100C16MP12C	CF/CM/CU48D	1.01	0.99	0.97
TP9C100C16MP12C	CF/CM/CU60C	1.00	0.95	0.96
TP9C100C16MP12C	CF/CM/CU60D	1.01	0.98	0.97
TP9C100C16MP12C	CF/CM64D	1.02	0.96	0.96
TP9C100C16MP13C	CF/CM/CU48C	1.00	1.07	0.98
TP9C100C16MP13C	CF/CM/CU60C	1.02	1.09	0.98
TP9C100C16MP13C	CF/CM64D	1.03	1.10	0.98
TP9C100C20MP12C	CF/CM/CU48C	1.00	0.93	1.00
TP9C100C20MP12C	CF/CM/CU48D	1.00	0.93	1.00
TP9C100C20MP12C	CF/CM/CU60C	1.00	0.95	0.98
TP9C100C20MP12C	CF/CM/CU60D	1.00	0.95	0.98
TP9C100C20MP12C	CF/CM64D	1.02	0.96	0.98
TP9C100C20MP13C	CF/CM/CU48C	1.00	1.07	1.00
TP9C100C20MP13C	CF/CM/CU60C	1.02	1.09	1.00
TP9C100C20MP13C	CF/CM64D	1.03	1.10	0.98
TP9C120D20MP12C	CF/CM/CU48D	1.00	0.94	0.98
TP9C120D20MP12C	CF/CM/CU60D	1.02	0.99	0.98
TP9C120D20MP12C	CF/CM64D	1.03	1.03	0.99
TP9C120D20MP13C	CF/CM/CU48D	0.99	1.03	0.95
TP9C120D20MP13C	CF/CM/CU60D	1.01	1.05	0.95
TP9C120D20MP13C	CF/CM64D	1.02	1.06	0.98
TPLC080C16MP12C	CF/CM/CU48C	1.00	0.96	1.00
TPLC080C16MP12C	CF/CM/CU48D	1.00	0.97	0.98
TPLC080C16MP12C	CF/CM/CU60C	1.01	0.98	0.99
TPLC080C16MP12C	CF/CM/CU60D	1.01	0.98	0.97

FURNACE MULTIPLIERS- 4 TON (Continued)

Furnaces	Coil	T.C.	S.C.	KW
TPLC080C16MP12C	CF/CM64D	1.01	0.96	0.97
TPLC080C16MP13C	CF/CM/CU48C	0.99	1.04	0.97
TPLC080C16MP13C	CF/CM/CU60C	1.00	1.05	0.96
TPLC080C16MP13C	CF/CM64D	1.02	1.06	0.96
TPLC100C16MP12C	CF/CM/CU48C	1.00	0.96	1.00
TPLC100C16MP12C	CF/CM/CU48D	1.00	0.97	0.98
TPLC100C16MP12C	CF/CM/CU60C	1.01	0.98	0.99
TPLC100C16MP12C	CF/CM/CU60D	1.01	0.98	0.97
TPLC100C16MP12C	CF/CM64D	1.01	0.96	0.97
TPLC100C16MP13C	CF/CM/CU48C	0.99	1.04	0.97
TPLC100C16MP13C	CF/CM/CU60C	1.00	1.05	0.96
TPLC100C16MP13C	CF/CM64D	1.02	1.06	0.96
TPLC100C20MP12C	CF/CM/CU48C	0.99	0.94	0.97
TPLC100C20MP12C	CF/CM/CU48D	1.01	0.99	0.97
TPLC100C20MP12C	CF/CM/CU60C	1.01	0.99	0.97
TPLC100C20MP12C	CF/CM64D	1.03	1.01	0.99
TPLC100C20MP13C	CF/CM/CU48C	1.00	1.05	0.98
TPLC100C20MP13C	CF/CM/CU60C	0.99	1.00	0.95
TPLC100C20MP13C	CF/CM64D	1.02	1.06	0.98
TPLC120C20MP12C	CF/CM/CU48C	0.99	0.94	0.97
TPLC120C20MP12C	CF/CM/CU48D	1.01	0.99	0.97
TPLC120C20MP12C	CF/CM/CU60C	1.01	0.99	0.97
TPLC120C20MP12C	CF/CM64D	1.03	1.01	0.99
TPLC120C20MP13C	CF/CM/CU48C	1.00	1.05	0.98
TPLC120C20MP13C	CF/CM/CU60C	0.99	1.00	0.95
TPLC120C20MP13C	CF/CM64D	1.02	1.06	0.98
YP9C080C16MP12C	CF/CM/CU48C	0.99	0.93	0.99
YP9C080C16MP12C	CF/CM/CU48D	1.01	0.99	0.97
YP9C080C16MP12C	CF/CM/CU60C	1.00	0.95	0.96
YP9C080C16MP12C	CF/CM/CU60D	1.01	0.98	0.97
YP9C080C16MP12C	CF/CM64D	1.02	0.96	0.96
YP9C080C16MP13C	CF/CM/CU48C	0.99	0.99	0.97
YP9C080C16MP13C	CF/CM/CU48D	1.00	1.01	0.96
YP9C080C16MP13C	CF/CM/CU60C	0.99	1.00	0.97
YP9C080C16MP13C	CF/CM/CU60D	0.99	1.00	0.97
YP9C080C16MP13C	CF/CM64D	1.02	1.03	0.96
YP9C100C16MP12C	CF/CM/CU48C	0.99	0.93	0.99
YP9C100C16MP12C	CF/CM/CU48D	1.01	0.99	0.97
YP9C100C16MP12C	CF/CM/CU60C	1.00	0.95	0.96
YP9C100C16MP12C	CF/CM/CU60D	1.01	0.98	0.97
YP9C100C16MP12C	CF/CM64D	1.02	0.96	0.96
YP9C100C16MP13C	CF/CM/CU48C	1.00	1.07	0.98
YP9C100C16MP13C	CF/CM/CU60C	1.02	1.09	0.98
YP9C100C16MP13C	CF/CM64D	1.03	1.10	0.98
YP9C100C20MP12C	CF/CM/CU48C	1.00	0.93	1.00
YP9C100C20MP12C	CF/CM/CU48D	1.00	0.93	1.00
YP9C100C20MP12C	CF/CM/CU60C	1.00	0.95	0.98
YP9C100C20MP12C	CF/CM/CU60D	1.00	0.95	0.98
YP9C100C20MP12C	CF/CM64D	1.02	0.96	0.98
YP9C100C20MP13C	CF/CM/CU48C	1.00	1.07	0.98
YP9C100C20MP13C	CF/CM/CU60C	1.02	1.09	0.98
YP9C100C20MP13C	CF/CM64D	1.03	1.10	0.98
YP9C120D20MP12C	CF/CM/CU48D	1.00	0.94	0.98
YP9C120D20MP12C	CF/CM/CU60D	1.02	0.99	0.98
YP9C120D20MP12C	CF/CM64D	1.03	1.03	0.99
YP9C120D20MP12C	CF/CM/CU48D	0.99	1.03	0.95
YP9C120D20MP12C	CF/CM/CU60D	1.01	1.05	0.95
YP9C120D20MP12C	CF/CM64D	1.02	1.06	0.98

FURNACE MULTIPLIERS- 4 TON (Continued)

Furnaces	Coil	T.C.	S.C.	KW
YP9C120D20MP13C	CF/CM/CU48D	0.99	1.03	0.95
YP9C120D20MP13C	CF/CM/CU60D	1.01	1.05	0.95
YP9C120D20MP13C	CF/CM64D	1.02	1.06	0.98
YPLC080C16MP12C	CF/CM/CU48C	1.00	0.96	1.00
YPLC080C16MP12C	CF/CM/CU48D	1.00	0.97	0.98
YPLC080C16MP12C	CF/CM/CU60C	1.01	0.98	0.99
YPLC080C16MP12C	CF/CM/CU60D	1.01	0.98	0.97
YPLC080C16MP12C	CF/CM64D	1.01	0.96	0.97
YPLC080C16MP13C	CF/CM/CU48C	0.99	1.04	0.97
YPLC080C16MP13C	CF/CM/CU60C	1.00	1.05	0.96
YPLC080C16MP13C	CF/CM64D	1.02	1.06	0.96
YPLC100C16MP12C	CF/CM/CU48C	1.00	0.96	1.00
YPLC100C16MP12C	CF/CM/CU48D	1.00	0.97	0.98
YPLC100C16MP12C	CF/CM/CU60C	1.01	0.98	0.99
YPLC100C16MP12C	CF/CM/CU60D	1.01	0.98	0.97
YPLC100C16MP12C	CF/CM64D	1.01	0.96	0.97
YPLC100C16MP13C	CF/CM/CU48C	0.99	1.04	0.97
YPLC100C16MP13C	CF/CM/CU60C	1.00	1.05	0.96

FURNACE MULTIPLIERS- 4 TON (Continued)

Furnaces	Coil	T.C.	S.C.	KW
YPLC100C16MP13C	CF/CM64D	1.02	1.06	0.96
YPLC100C20MP12C	CF/CM/CU48C	0.99	0.94	0.97
YPLC100C20MP12C	CF/CM/CU48D	1.01	0.99	0.97
YPLC100C20MP12C	CF/CM/CU60C	1.01	0.99	0.97
YPLC100C20MP12C	CF/CM64D	1.03	1.01	0.99
YPLC100C20MP13C	CF/CM/CU48C	1.00	1.05	0.98
YPLC100C20MP13C	CF/CM/CU60C	0.99	1.00	0.95
YPLC100C20MP13C	CF/CM64D	1.02	1.06	0.98
YPLC120C20MP12C	CF/CM/CU48C	0.99	0.94	0.97
YPLC120C20MP12C	CF/CM/CU48D	1.01	0.99	0.97
YPLC120C20MP12C	CF/CM/CU60C	1.01	0.99	0.97
YPLC120C20MP12C	CF/CM64D	1.03	1.01	0.99
YPLC120C20MP13C	CF/CM/CU48C	1.00	1.05	0.98
YPLC120C20MP13C	CF/CM/CU60C	0.99	1.00	0.95
YPLC120C20MP13C	CF/CM64D	1.02	1.06	0.98

PERFORMANCE DATA - 4 TON 460 Volt

CONDENSER-ONLY DATA (OUTDOOR UNIT)																		
MODEL	SATURATED SUCTION @ COMPRESSOR		Outdoor Ambient Temperature															
			55 °F		65 °F		75 °F		85 °F		95 °F		105 °F		115 °F		125 °F	
	T (°F)	P (PSIG)	MBH	KW	MBH	KW	MBH	KW	MBH	KW	MBH	KW	MBH	KW	MBH	KW	MBH	KW
TCG48B41S	35	111	43.8	2.31	40.2	2.57	38.2	2.85	36.0	3.17	33.7	3.54	31.2	3.99	28.6	4.51	26.0	5.14
	40	118	46.5	2.31	44.4	2.56	42.2	2.84	39.9	3.15	37.3	3.51	34.7	3.95	31.9	4.47	29.1	5.07
	45	130	51.2	2.30	49.0	2.56	46.6	2.83	44.0	3.14	41.3	3.49	38.4	3.92	35.5	4.43	32.4	5.02
	50	142	56.3	2.29	54.1	2.52	51.2	2.82	48.4	3.12	45.4	3.47	42.4	3.89	39.2	4.39	35.9	4.96
	55	156	61.5	2.32	59.0	2.54	56.1	2.81	53.1	3.11	49.9	3.45	46.6	3.86	43.2	4.35	39.7	4.91

Notes:

- For Outdoor Unit (Condenser) performance only. Data does not include the effects of air handler power or heat.
- Performance based on 15°F subcooling and 15°F superheat at the Outdoor Unit base valves.
 - Increase capacity by 1% for each 2°F increase in subcooling.
 - Decrease capacity by 1% for each 2°F decrease in subcooling.
- Maximum recommended condensing temperature is 140°F.

COOLING PERFORMANCE DATA																	
OUTDOOR UNIT MODEL NO.		TCG48B41S															
INDOOR COIL MODEL NO.		CF60CXA1															
AIR TEMP. ENTERING OUTDOOR UNIT (°F)	ID CFM	1300					1500					1700					
	ID DB (°F)	80	80	75	80	80	80	80	75	80	80	80	80	80	75	80	80
	ID WB (°F)	57	62	62	67	72	57	62	62	67	72	57	62	62	67	72	
55	T.C.	43.4	46.5	45.6	48.0	47.9	44.7	47.2	46.6	48.4	48.1	46.1	47.9	47.6	48.8	48.3	
	S.C.	43.4	39.3	32.9	31.5	23.9	44.7	41.0	34.5	32.7	24.6	46.1	42.7	36.1	33.9	25.3	
	KW	2.33	2.34	2.34	2.35	2.36	2.40	2.41	2.41	2.43	2.43	2.48	2.49	2.49	2.51	2.51	
65	T.C.	41.9	45.3	44.8	48.0	49.5	43.5	46.2	45.8	48.7	49.9	45.1	47.1	46.9	49.5	50.3	
	S.C.	41.9	38.8	32.6	31.9	24.4	43.5	41.0	34.5	33.4	25.3	45.1	43.2	36.3	35.0	26.2	
	KW	2.56	2.58	2.57	2.59	2.59	2.64	2.66	2.65	2.67	2.66	2.71	2.73	2.72	2.74	2.74	
75	T.C.	40.4	44.1	44.0	47.9	51.1	42.3	45.2	45.1	49.0	51.7	44.1	46.2	46.2	50.1	52.2	
	S.C.	40.4	38.4	32.3	32.2	24.8	42.3	41.1	34.4	34.2	25.9	44.1	43.8	36.6	36.2	27.0	
	KW	2.80	2.83	2.81	2.83	2.82	2.88	2.91	2.88	2.91	2.90	2.95	2.98	2.95	2.98	2.97	
85	T.C.	39.1	42.3	42.2	46.2	49.7	40.8	43.4	43.2	47.3	50.4	42.5	44.4	44.2	48.3	51.1	
	S.C.	39.1	37.4	31.5	31.5	24.3	40.8	40.1	33.6	33.6	25.5	42.5	42.9	35.8	35.7	26.7	
	KW	3.14	3.16	3.14	3.16	3.14	3.21	3.24	3.22	3.24	3.22	3.29	3.31	3.29	3.31	3.30	
95	T.C.	37.7	40.4	40.3	44.4	48.4	39.3	41.5	41.3	45.5	49.2	40.8	42.7	42.3	46.6	49.9	
	S.C.	37.7	36.4	30.6	30.7	23.8	39.3	39.2	32.8	33.0	25.1	40.8	42.0	35.0	35.3	26.3	
	KW	3.48	3.50	3.48	3.50	3.47	3.55	3.57	3.55	3.57	3.55	3.63	3.64	3.63	3.64	3.63	
105	T.C.	35.7	37.9	38.0	41.9	45.9	37.2	39.0	38.9	42.9	46.6	38.7	40.1	39.8	43.8	47.4	
	S.C.	35.7	34.9	29.5	29.6	22.9	37.2	37.4	31.6	31.8	24.1	38.7	39.9	33.7	34.0	25.4	
	KW	4.00	4.01	3.99	4.00	3.96	4.07	4.08	4.07	4.07	4.04	4.14	4.15	4.14	4.13	4.12	
115	T.C.	33.8	35.5	35.7	39.5	43.4	35.2	36.5	36.6	40.3	44.2	36.6	37.6	37.4	41.1	44.9	
	S.C.	33.8	33.5	28.3	28.6	22.0	35.2	35.6	30.4	30.7	23.2	36.6	37.6	32.5	32.8	24.5	
	KW	4.51	4.51	4.49	4.48	4.44	4.57	4.58	4.56	4.55	4.51	4.63	4.64	4.63	4.61	4.59	
125	T.C.	31.9	33.1	33.5	37.1	40.9	33.2	34.1	34.2	37.8	41.7	34.5	35.1	35.0	38.5	42.5	
	S.C.	31.9	32.0	27.2	27.5	21.0	33.2	33.9	29.2	29.6	22.3	34.5	35.1	31.2	31.6	23.6	
	KW	5.01	5.01	4.99	4.96	4.91	5.07	5.07	5.06	5.03	4.99	5.13	5.14	5.13	5.10	5.06	

ALL CAPACITIES INCLUDE INDOOR FAN HEAT. KW VALUES ARE FOR THE SYSTEM (OUTDOOR + INDOOR).

Green shaded cells are ACCA (TVA) conditions.

Blue shaded cells are AHRI conditions.

Multipliers for determining the performance with other indoor sections.

NOTE: For dry bulb temperatures different than those listed (between 73-87 °F), sensible capacity increases by 1060 BTUH per 1000 CFM per degree above the listed temperature and decreases by 1060 BTUH per 1000 CFM per degree below the listed temperature.

COIL MULTIPLIERS- 4 TON

Air Handler	Coil	T.C.	S.C.	KW
-	CF/CM/CU48C	0.99	0.98	1.03
-	CF/CM/CU48D	0.99	0.98	1.03
-	CF/CM/CU60C	1.00	1.00	1.00
-	CF/CM/CU60D	1.01	1.01	1.01
-	CF/CM64D	1.03	1.03	1.01
AE48CX21	-	1.00	0.97	0.96
AE48DX21	-	1.01	0.98	0.94
AE60CX21	-	1.02	1.01	0.95
AE60DX21	-	1.03	1.01	0.94
AP48CX21	-	0.98	0.92	1.00
AP48DX21	-	0.99	0.96	1.01
AP60CX21	-	1.01	1.00	1.03
AP60DX22	-	0.99	0.98	0.99
AVC48CX21	-	1.00	0.96	0.96
AVC48DX21	-	1.01	1.00	0.94
AVC60CX21	-	1.01	0.98	0.94
AVC60DX21	-	1.02	0.98	0.95
ME14DN21	CF/CM60D	1.02	0.99	0.95
ME14DN21	CF/CM64D	1.04	1.03	0.99
ME16CN21	CF/CM48C	1.01	1.01	0.95
ME16CN21	CF/CM60C	1.02	1.01	0.95
ME20DN21	CF/CM48D	1.01	1.01	0.94
ME20DN21	CF/CM60D	1.02	1.01	0.95
ME20DN21	CF/CM64D	1.03	1.01	0.96
ME12CN41	CF/CM48C	0.99	1.00	0.99
ME12CN41	CF/CM60C	0.98	0.99	1.00
ME14DN41	CF/CM48D	1.01	1.01	1.01
ME14DN41	CF/CM60D	1.01	0.98	1.01
ME14DN41	CF/CM64D	1.01	0.95	1.01
ME16CN41	CF/CM48C	0.99	0.92	0.99
ME20DN41	CF/CM48D	1.01	0.99	1.01
ME20DN41	CF/CM60D	1.01	1.01	1.03
ME20DN41	CF/CM64D	1.03	1.01	1.04
MVC14DN21	CF/CM48D	1.00	0.94	0.94
MVC16CN21	CF/CM48C	1.00	0.94	0.94
MVC16CN21	CF/CM60C	1.00	0.95	0.93
MVC20DN21	CF/CM48D	1.00	0.94	0.94
MVC20DN21	CF/CM60D	1.02	1.01	0.95
MVC20DN21	CF/CM64D	1.02	1.00	0.93

FURNACE MULTIPLIERS- 4 TON

Furnaces	Coil	T.C.	S.C.	KW
TL8E080C16UH11	CF/CM/CU48C	0.99	1.04	0.99
TL8E080C16UH11	CF/CM/CU48D	0.99	1.04	0.97
TL8E080C16UH11	CF/CM/CU60C	1.00	1.03	1.00
TL8E080C16UH11	CF/CM/CU60D	1.02	1.06	1.00
TL8E080C16UH11	CF/CM64D	1.03	1.07	0.99
TL8E100C20UH11	CF/CM/CU48C	1.00	1.05	0.96
TL8E100C20UH11	CF/CM/CU48D	1.00	1.05	0.96
TL8E100C20UH11	CF/CM/CU60C	1.00	1.03	0.96
TL8E100C20UH11	CF/CM/CU60D	1.02	1.08	0.96
TL8E100C20UH11	CF/CM64D	1.03	1.06	0.98
TL9E080C16UH11	CF/CM/CU48C	0.99	1.04	1.01
TL9E080C16UH11	CF/CM/CU48D	0.99	1.04	0.99
TL9E080C16UH11	CF/CM/CU60C	1.00	1.04	1.02
TL9E080C16UH11	CF/CM/CU60D	1.01	1.06	1.01
TL9E080C16UH11	CF/CM64D	1.02	1.05	1.00
TL9E100C20UH11	CF/CM/CU48C	1.00	1.05	0.98
TL9E100C20UH11	CF/CM/CU48D	1.00	1.05	0.96
TL9E100C20UH11	CF/CM/CU60C	1.00	1.03	0.98
TL9E100C20UH11	CF/CM/CU60D	1.02	1.08	0.98
TL9E100C20UH11	CF/CM64D	1.03	1.06	0.98
TM8E080B12MP11	CF/CM/CU48C	0.98	1.00	1.00
TM8E080B12MP11	CF/CM/CU60C	0.99	1.00	1.03
TM8E080C16MP11	CF/CM/CU48C	0.97	1.02	1.01
TM8E080C16MP11	CF/CM/CU48D	0.98	1.03	1.02
TM8E080C16MP11	CF/CM/CU60C	1.01	1.09	1.03
TM8E080C16MP11	CF/CM/CU60D	1.01	1.10	1.03
TM8E080C16MP11	CF/CM64D	1.04	1.13	1.04
TM8E080C20MP11	CF/CM/CU48C	1.00	1.06	0.96
TM8E080C20MP11	CF/CM/CU48D	1.01	1.08	0.97
TM8E080C20MP11	CF/CM/CU60C	1.01	1.06	0.99
TM8E080C20MP11	CF/CM/CU60D	1.01	1.07	0.99
TM8E080C20MP11	CF/CM64D	1.04	1.09	0.99
TM8E100C16MP11	CF/CM/CU48C	0.99	1.01	0.97
TM8E100C16MP11	CF/CM/CU48D	0.99	1.01	0.97
TM8E100C16MP11	CF/CM/CU60C	1.01	1.09	1.03
TM8E100C16MP11	CF/CM/CU60D	0.99	1.00	0.97
TM8E100C16MP11	CF/CM64D	1.01	1.03	0.95
TM8E100C20MP11	CF/CM/CU48C	1.00	1.05	0.98
TM8E100C20MP11	CF/CM/CU48D	1.01	1.07	0.97
TM8E100C20MP11	CF/CM/CU60C	1.00	1.04	0.98
TM8E100C20MP11	CF/CM/CU60D	1.01	1.06	0.99
TM8E100C20MP11	CF/CM64D	1.03	1.07	0.98
TM8E120C16MP11	CF/CM/CU48C	0.99	1.01	0.97
TM8E120C16MP11	CF/CM/CU48D	0.99	1.01	0.95
TM8E120C16MP11	CF/CM/CU60C	0.99	1.00	0.97
TM8E120C16MP11	CF/CM/CU60D	1.00	1.02	0.98
TM8E120C16MP11	CF/CM64D	1.01	1.03	0.95
TM8E120C20MP11	CF/CM/CU48C	1.00	1.05	0.96
TM8E120C20MP11	CF/CM/CU48D	1.01	1.07	0.97
TM8E120C20MP11	CF/CM/CU60C	1.01	1.05	0.97
TM8E120C20MP11	CF/CM/CU60D	0.99	1.00	0.95
TM8E120C20MP11	CF/CM64D	1.03	1.07	0.98
TM8E130D20MP11	CF/CM/CU48D	1.00	1.05	0.96
TM8E130D20MP11	CF/CM/CU60D	1.01	1.06	0.97
TM8E130D20MP11	CF/CM64D	1.04	1.09	0.97

FURNACE MULTIPLIERS- 4 TON (Continued)

Furnaces	Coil	T.C.	S.C.	KW
TM8V080C16MP11C	CF/CM/CU48C	1.00	0.97	1.00
TM8V080C16MP11C	CF/CM/CU48D	1.01	0.97	0.99
TM8V080C16MP11C	CF/CM/CU60C	1.01	0.98	0.99
TM8V080C16MP11C	CF/CM/CU60D	1.01	0.98	0.97
TM8V080C16MP11C	CF/CM64D	1.01	0.96	0.97
TM8V080C16MP12C	CF/CM/CU48C	0.99	1.04	0.97
TM8V080C16MP12C	CF/CM/CU60C	1.00	1.05	0.96
TM8V080C16MP12C	CF/CM64D	1.02	1.06	0.96
TM8V100C16MP11C	CF/CM/CU48C	1.00	0.97	1.00
TM8V100C16MP11C	CF/CM/CU48D	1.01	0.97	0.99
TM8V100C16MP11C	CF/CM/CU60C	1.01	0.98	0.99
TM8V100C16MP11C	CF/CM/CU60D	1.01	0.98	0.97
TM8V100C16MP11C	CF/CM64D	1.01	0.96	0.97
TM8V100C16MP12C	CF/CM/CU48C	0.99	1.04	0.97
TM8V100C16MP12C	CF/CM/CU60C	1.00	1.05	0.96
TM8V100C16MP12C	CF/CM64D	1.02	1.06	0.96
TM8V100C20MP11C	CF/CM/CU48C	0.99	0.95	0.97
TM8V100C20MP11C	CF/CM/CU48D	1.01	1.00	0.97
TM8V100C20MP11C	CF/CM/CU60C	1.01	1.00	0.97
TM8V100C20MP11C	CF/CM64D	1.03	1.02	0.99
TM8V100C20MP12C	CF/CM/CU48C	0.99	1.04	0.97
TM8V100C20MP12C	CF/CM/CU60C	0.99	1.00	0.95
TM8V100C20MP12C	CF/CM64D	1.02	1.06	0.98
TM8V120C20MP11C	CF/CM/CU48C	0.99	0.95	0.97
TM8V120C20MP11C	CF/CM/CU48D	1.01	1.00	0.97
TM8V120C20MP11C	CF/CM/CU60C	1.01	1.00	0.97
TM8V120C20MP11C	CF/CM64D	1.03	1.02	0.99
TM8V120C20MP12C	CF/CM/CU48C	0.99	1.04	0.97
TM8V120C20MP12C	CF/CM/CU60C	0.99	1.00	0.95
TM8V120C20MP12C	CF/CM64D	1.02	1.06	0.98
TM8X080C16MP11	CF/CM/CU48C	1.00	0.98	0.98
TM8X080C16MP11	CF/CM/CU48D	1.00	0.99	0.98
TM8X080C16MP11	CF/CM/CU60C	1.01	0.99	0.97
TM8X080C16MP11	CF/CM/CU60D	1.01	1.01	0.97
TM8X080C16MP11	CF/CM64D	1.02	1.01	0.96
TM8X100C16MP11	CF/CM/CU48C	1.00	0.98	0.98
TM8X100C16MP11	CF/CM/CU48D	1.00	0.99	0.98
TM8X100C16MP11	CF/CM/CU60C	1.01	0.99	0.97
TM8X100C16MP11	CF/CM/CU60D	1.01	1.01	0.97
TM8X100C16MP11	CF/CM64D	1.02	1.01	0.96
TM8X100C20MP11	CF/CM/CU48C	1.00	0.99	0.96
TM8X100C20MP11	CF/CM/CU48D	0.99	0.95	0.93
TM8X100C20MP11	CF/CM/CU60C	1.02	1.02	0.96
TM8X100C20MP11	CF/CM/CU60D	1.02	1.03	0.96
TM8X100C20MP11	CF/CM64D	1.04	1.03	0.97
TM8X120C20MP11	CF/CM/CU48C	1.00	0.99	0.96
TM8X120C20MP11	CF/CM/CU48D	0.99	0.95	0.93
TM8X120C20MP11	CF/CM/CU60C	1.02	1.02	0.96
TM8X120C20MP11	CF/CM/CU60D	1.02	1.03	0.96
TM8X120C20MP11	CF/CM64D	1.04	1.03	0.97
TM8Y080C16MP11	CF/CM/CU48C	1.00	0.98	0.98
TM8Y080C16MP11	CF/CM/CU48D	1.00	0.99	0.98
TM8Y080C16MP11	CF/CM/CU60C	1.01	0.99	0.97
TM8Y080C16MP11	CF/CM/CU60D	1.01	1.01	0.97
TM8Y080C16MP11	CF/CM64D	1.02	1.01	0.96

FURNACE MULTIPLIERS- 4 TON (Continued)

Furnaces	Coil	T.C.	S.C.	KW
TM8Y100C16MP11	CF/CM/CU48C	1.00	0.98	0.98
TM8Y100C16MP11	CF/CM/CU48D	1.00	0.99	0.98
TM8Y100C16MP11	CF/CM/CU60C	1.01	0.99	0.97
TM8Y100C16MP11	CF/CM/CU60D	1.01	1.01	0.97
TM8Y100C16MP11	CF/CM64D	1.02	1.01	0.96
TM8Y100C20MP11	CF/CM/CU48C	1.00	0.99	0.96
TM8Y100C20MP11	CF/CM/CU48D	0.99	0.95	0.93
TM8Y100C20MP11	CF/CM/CU60C	1.02	1.02	0.96
TM8Y100C20MP11	CF/CM/CU60D	1.02	1.03	0.96
TM8Y100C20MP11	CF/CM64D	1.04	1.03	0.97
TM8Y120C20MP11	CF/CM/CU48C	1.00	0.99	0.96
TM8Y120C20MP11	CF/CM/CU48D	0.99	0.95	0.93
TM8Y120C20MP11	CF/CM/CU60C	1.02	1.02	0.96
TM8Y120C20MP11	CF/CM/CU60D	1.02	1.03	0.96
TM8Y120C20MP11	CF/CM64D	1.04	1.03	0.97
TM9E080B12MP12	CF/CM/CU48C	0.98	1.00	1.00
TM9E080B12MP12	CF/CM/CU60C	0.99	1.00	1.03
TM9E080C16MP11	CF/CM/CU48C	0.99	0.98	0.97
TM9E080C16MP11	CF/CM/CU48D	0.99	0.98	0.97
TM9E080C16MP11	CF/CM/CU60C	0.98	0.97	0.96
TM9E080C16MP11	CF/CM/CU60D	1.00	1.00	0.96
TM9E080C16MP11	CF/CM64D	1.01	1.00	0.97
TM9E080C20MP12	CF/CM/CU48C	1.00	1.05	0.98
TM9E080C20MP12	CF/CM/CU48D	1.00	1.05	0.96
TM9E080C20MP12	CF/CM/CU60C	1.00	1.03	0.98
TM9E080C20MP12	CF/CM/CU60D	1.01	1.05	0.99
TM9E080C20MP12	CF/CM64D	1.02	1.06	0.96
TM9E100C16MP11	CF/CM/CU48C	0.99	0.94	0.97
TM9E100C16MP11	CF/CM/CU48D	0.99	0.94	0.97
TM9E100C16MP11	CF/CM/CU60C	1.00	0.95	0.98
TM9E100C16MP11	CF/CM/CU60D	1.00	0.95	0.96
TM9E100C16MP11	CF/CM64D	1.01	0.96	0.97
TM9E100C16MP12	CF/CM/CU60D	1.01	1.10	1.05
TM9E100C20MP11	CF/CM/CU48C	1.00	0.98	0.96
TM9E100C20MP11	CF/CM/CU48D	1.00	0.99	0.96
TM9E100C20MP11	CF/CM/CU60C	1.01	1.00	0.95
TM9E100C20MP11	CF/CM/CU60D	1.02	1.02	0.96
TM9E100C20MP11	CF/CM64D	1.03	1.01	0.98
TM9E100C20MP12	CF/CM/CU48C	1.00	1.05	0.96
TM9E100C20MP12	CF/CM/CU48D	1.00	1.05	0.96
TM9E100C20MP12	CF/CM/CU60C	1.00	1.03	0.96
TM9E100C20MP12	CF/CM/CU60D	1.01	1.05	0.97
TM9E100C20MP12	CF/CM64D	1.02	1.06	0.96
TM9E120D20MP11	CF/CM/CU48D	1.01	0.99	0.97
TM9E120D20MP11	CF/CM/CU60D	1.02	1.01	0.96
TM9E120D20MP11	CF/CM64D	1.03	1.01	0.96
TM9E120D20MP12	CF/CM/CU48D	1.00	1.06	0.98
TM9E120D20MP12	CF/CM/CU60D	1.01	1.06	0.99
TM9E120D20MP12	CF/CM64D	1.03	1.08	0.98
TM9V080C16MP11C	CF/CM/CU48C	1.00	0.94	1.00
TM9V080C16MP11C	CF/CM/CU48D	1.01	0.99	0.97
TM9V080C16MP11C	CF/CM/CU60C	1.00	0.96	0.96
TM9V080C16MP11C	CF/CM/CU60D	1.01	0.98	0.97
TM9V080C16MP11C	CF/CM64D	1.02	0.96	0.96
TM9V080C16MP12C	CF/CM/CU48C	0.99	0.99	0.97

FURNACE MULTIPLIERS- 4 TON (Continued)

Furnaces	Coil	T.C.	S.C.	KW
TM9V080C16MP12C	CF/CM/CU48D	1.00	1.01	0.96
TM9V080C16MP12C	CF/CM/CU60C	0.99	1.00	0.97
TM9V080C16MP12C	CF/CM/CU60D	0.99	1.00	0.97
TM9V080C16MP12C	CF/CM64D	1.02	1.03	0.96
TM9V100C16MP11C	CF/CM/CU48C	1.00	0.94	1.00
TM9V100C16MP11C	CF/CM/CU48D	1.01	0.99	0.97
TM9V100C16MP11C	CF/CM/CU60C	1.00	0.96	0.96
TM9V100C16MP11C	CF/CM/CU60D	1.01	0.98	0.97
TM9V100C16MP11C	CF/CM64D	1.02	0.96	0.96
TM9V100C16MP12C	CF/CM/CU48C	1.00	1.07	0.98
TM9V100C16MP12C	CF/CM/CU60C	1.01	1.08	0.97
TM9V100C16MP12C	CF/CM64D	1.03	1.11	0.98
TM9V100C20MP11C	CF/CM/CU48C	1.00	0.94	1.00
TM9V100C20MP11C	CF/CM/CU48D	1.00	0.94	1.00
TM9V100C20MP11C	CF/CM/CU60C	1.00	0.95	0.98
TM9V100C20MP11C	CF/CM/CU60D	1.00	0.95	0.98
TM9V100C20MP11C	CF/CM64D	1.02	0.96	0.96
TM9V100C20MP12C	CF/CM/CU48C	1.00	1.07	1.00
TM9V100C20MP12C	CF/CM/CU60C	1.01	1.08	0.99
TM9V100C20MP12C	CF/CM64D	1.03	1.11	0.98
TM9V120D20MP11C	CF/CM/CU48D	1.00	0.95	0.98
TM9V120D20MP11C	CF/CM/CU60D	1.01	1.00	0.97
TM9V120D20MP11C	CF/CM64D	1.04	1.04	1.00
TM9V120D20MP12C	CF/CM/CU48D	0.99	1.03	0.95
TM9V120D20MP12C	CF/CM/CU60D	1.00	1.04	0.94
TM9V120D20MP12C	CF/CM64D	1.02	1.06	0.98
TM9Y080C16MP11	CF/CM/CU48C	0.99	0.98	0.97
TM9Y080C16MP11	CF/CM/CU48D	0.99	0.98	0.97
TM9Y080C16MP11	CF/CM/CU60C	0.98	0.97	0.96
TM9Y080C16MP11	CF/CM/CU60D	1.00	1.00	0.96
TM9Y080C16MP11	CF/CM64D	1.01	1.00	0.97
TM9Y100C16MP11	CF/CM/CU48C	0.99	0.94	0.97
TM9Y100C16MP11	CF/CM/CU48D	0.99	0.94	0.97
TM9Y100C16MP11	CF/CM/CU60C	1.00	0.95	0.98
TM9Y100C16MP11	CF/CM/CU60D	1.00	0.95	0.96
TM9Y100C16MP11	CF/CM64D	1.01	0.96	0.97
TM9Y100C20MP11	CF/CM/CU48C	1.00	0.98	0.96
TM9Y100C20MP11	CF/CM/CU48D	1.00	0.99	0.96
TM9Y100C20MP11	CF/CM/CU60C	1.01	1.00	0.95
TM9Y100C20MP11	CF/CM/CU60D	1.02	1.02	0.96
TM9Y100C20MP11	CF/CM64D	1.03	1.01	0.98
TM9Y120D20MP11	CF/CM/CU48D	1.01	0.99	0.97
TM9Y120D20MP11	CF/CM/CU60D	1.02	1.01	0.96
TM9Y120D20MP11	CF/CM64D	1.03	1.01	0.96
TMLE080B12MP11	CF/CM/CU48C	0.98	1.00	1.00
TMLE080B12MP11	CF/CM/CU60C	0.99	1.00	1.03
TMLE080C16MP11	CF/CM/CU48C	0.97	1.02	1.01
TMLE080C16MP11	CF/CM/CU48D	0.98	1.03	1.02
TMLE080C16MP11	CF/CM/CU60C	1.01	1.09	1.03
TMLE080C16MP11	CF/CM/CU60D	1.01	1.10	1.03
TMLE080C16MP11	CF/CM64D	1.04	1.13	1.04
TMLE080C20MP11	CF/CM/CU48C	1.00	1.06	0.96
TMLE080C20MP11	CF/CM/CU48D	1.01	1.08	0.97
TMLE080C20MP11	CF/CM/CU60C	1.01	1.06	0.99
TMLE080C20MP11	CF/CM/CU60D	1.01	1.07	0.99

FURNACE MULTIPLIERS- 4 TON (Continued)

Furnaces	Coil	T.C.	S.C.	KW
TMLE080C20MP11	CF/CM64D	1.04	1.09	0.99
TMLE100C16MP11	CF/CM/CU48C	0.99	1.01	0.97
TMLE100C16MP11	CF/CM/CU48D	0.99	1.01	0.97
TMLE100C16MP11	CF/CM/CU60C	1.01	1.09	1.03
TMLE100C16MP11	CF/CM/CU60D	0.99	1.00	0.97
TMLE100C16MP11	CF/CM64D	1.01	1.03	0.95
TMLE100C20MP11	CF/CM/CU48C	1.00	1.05	0.98
TMLE100C20MP11	CF/CM/CU48D	1.01	1.07	0.97
TMLE100C20MP11	CF/CM/CU60C	1.00	1.04	0.98
TMLE100C20MP11	CF/CM/CU60D	1.01	1.06	0.99
TMLE100C20MP11	CF/CM64D	1.03	1.07	0.98
TMLE120C16MP11	CF/CM/CU48C	0.99	1.01	0.97
TMLE120C16MP11	CF/CM/CU48D	0.99	1.01	0.95
TMLE120C16MP11	CF/CM/CU60C	0.99	1.00	0.97
TMLE120C16MP11	CF/CM/CU60D	1.00	1.02	0.98
TMLE120C16MP11	CF/CM64D	1.01	1.03	0.95
TMLE120C20MP11	CF/CM/CU48C	1.00	1.05	0.96
TMLE120C20MP11	CF/CM/CU48D	1.01	1.07	0.97
TMLE120C20MP11	CF/CM/CU60C	1.01	1.05	0.97
TMLE120C20MP11	CF/CM/CU60D	0.99	1.00	0.95
TMLE120C20MP11	CF/CM64D	1.03	1.07	0.98
TMLE130D20MP11	CF/CM/CU48D	1.00	1.05	0.96
TMLE130D20MP11	CF/CM/CU60D	1.01	1.06	0.97
TMLE130D20MP11	CF/CM64D	1.04	1.09	0.97
TMLV080C16MP11C	CF/CM/CU48C	1.00	0.97	1.00
TMLV080C16MP11C	CF/CM/CU48D	1.01	0.97	0.99
TMLV080C16MP11C	CF/CM/CU60C	1.01	0.98	0.99
TMLV080C16MP11C	CF/CM/CU60D	1.01	0.98	0.97
TMLV080C16MP11C	CF/CM64D	1.01	0.96	0.97
TMLV080C16MP12C	CF/CM/CU48C	0.99	1.04	0.97
TMLV080C16MP12C	CF/CM/CU60C	1.00	1.05	0.96
TMLV080C16MP12C	CF/CM64D	1.02	1.06	0.96
TMLV100C16MP11C	CF/CM/CU48C	1.00	0.97	1.00
TMLV100C16MP11C	CF/CM/CU48D	1.01	0.97	0.99
TMLV100C16MP11C	CF/CM/CU60C	1.01	0.98	0.99
TMLV100C16MP11C	CF/CM/CU60D	1.01	0.98	0.97
TMLV100C16MP11C	CF/CM64D	1.01	0.96	0.97
TMLV100C16MP12C	CF/CM/CU48C	0.99	1.04	0.97
TMLV100C16MP12C	CF/CM/CU60C	1.00	1.05	0.96
TMLV100C16MP12C	CF/CM64D	1.02	1.06	0.96
TMLV100C20MP11C	CF/CM/CU48C	0.99	0.95	0.97
TMLV100C20MP11C	CF/CM/CU48D	1.01	1.00	0.97
TMLV100C20MP11C	CF/CM/CU60C	1.01	1.00	0.97
TMLV100C20MP11C	CF/CM64D	1.03	1.02	0.99
TMLV100C20MP12C	CF/CM/CU48C	0.99	1.04	0.97
TMLV100C20MP12C	CF/CM/CU60C	0.99	1.00	0.95
TMLV100C20MP12C	CF/CM64D	1.02	1.06	0.98
TMLV120C20MP11C	CF/CM/CU48C	0.99	0.95	0.97
TMLV120C20MP11C	CF/CM/CU48D	1.01	1.00	0.97
TMLV120C20MP11C	CF/CM/CU60C	1.01	1.00	0.97
TMLV120C20MP11C	CF/CM64D	1.03	1.02	0.99
TMLV120C20MP12C	CF/CM/CU48C	0.99	1.04	0.97
TMLV120C20MP12C	CF/CM/CU60C	0.99	1.00	0.95
TMLV120C20MP12C	CF/CM64D	1.02	1.06	0.98
TMLX080C16MP11	CF/CM/CU48C	1.00	0.98	0.98

FURNACE MULTIPLIERS- 4 TON (Continued)

Furnaces	Coil	T.C.	S.C.	KW
TMLX080C16MP11	CF/CM/CU48D	1.00	0.99	0.98
TMLX080C16MP11	CF/CM/CU60C	1.01	0.99	0.97
TMLX080C16MP11	CF/CM/CU60D	1.01	1.01	0.97
TMLX080C16MP11	CF/CM64D	1.02	1.01	0.96
TMLX100C16MP11	CF/CM/CU48C	1.00	0.98	0.98
TMLX100C16MP11	CF/CM/CU48D	1.00	0.99	0.98
TMLX100C16MP11	CF/CM/CU60C	1.01	0.99	0.97
TMLX100C16MP11	CF/CM/CU60D	1.01	1.01	0.97
TMLX100C16MP11	CF/CM64D	1.02	1.01	0.96
TMLX100C20MP11	CF/CM/CU48C	1.00	0.99	0.96
TMLX100C20MP11	CF/CM/CU48D	0.99	0.95	0.93
TMLX100C20MP11	CF/CM/CU60C	1.02	1.02	0.96
TMLX100C20MP11	CF/CM/CU60D	1.02	1.03	0.96
TMLX100C20MP11	CF/CM64D	1.04	1.03	0.97
TMLX120C20MP11	CF/CM/CU48C	1.00	0.99	0.96
TMLX120C20MP11	CF/CM/CU48D	0.99	0.95	0.93
TMLX120C20MP11	CF/CM/CU60C	1.02	1.02	0.96
TMLX120C20MP11	CF/CM/CU60D	1.02	1.03	0.96
TMLX120C20MP11	CF/CM64D	1.04	1.03	0.97
TP9C080C16MP12C	CF/CM/CU48C	1.00	0.94	1.00
TP9C080C16MP12C	CF/CM/CU48D	1.01	0.99	0.97
TP9C080C16MP12C	CF/CM/CU60C	1.00	0.96	0.96
TP9C080C16MP12C	CF/CM/CU60D	1.01	0.98	0.97
TP9C080C16MP12C	CF/CM64D	1.02	0.96	0.96
TP9C080C16MP13C	CF/CM/CU48C	0.99	0.99	0.97
TP9C080C16MP13C	CF/CM/CU48D	1.00	1.01	0.96
TP9C080C16MP13C	CF/CM/CU60C	0.99	1.00	0.97
TP9C080C16MP13C	CF/CM64D	1.02	1.03	0.96
TP9C100C16MP12C	CF/CM/CU48C	1.00	0.94	1.00
TP9C100C16MP12C	CF/CM/CU48D	1.01	0.99	0.97
TP9C100C16MP12C	CF/CM/CU60C	1.00	0.96	0.96
TP9C100C16MP12C	CF/CM/CU60D	1.01	0.98	0.97
TP9C100C16MP12C	CF/CM64D	1.02	0.96	0.96
TP9C100C16MP13C	CF/CM/CU48C	1.00	1.07	0.98
TP9C100C16MP13C	CF/CM/CU60C	1.01	1.08	0.97
TP9C100C16MP13C	CF/CM64D	1.03	1.11	0.98
TP9C100C20MP12C	CF/CM/CU48C	1.00	0.94	1.00
TP9C100C20MP12C	CF/CM/CU48D	1.00	0.94	1.00
TP9C100C20MP12C	CF/CM/CU60C	1.00	0.95	0.98
TP9C100C20MP12C	CF/CM/CU60D	1.00	0.95	0.98
TP9C100C20MP12C	CF/CM64D	1.02	0.96	0.96
TP9C100C20MP13C	CF/CM/CU48C	1.00	1.07	1.00
TP9C100C20MP13C	CF/CM/CU60C	1.01	1.08	0.99
TP9C100C20MP13C	CF/CM64D	1.03	1.11	0.98
TP9C120D20MP12C	CF/CM/CU48D	1.00	0.95	0.98
TP9C120D20MP12C	CF/CM/CU60D	1.01	1.00	0.97
TP9C120D20MP12C	CF/CM64D	1.04	1.04	1.00
TP9C120D20MP13C	CF/CM/CU48D	0.99	1.03	0.95
TP9C120D20MP13C	CF/CM/CU60D	1.00	1.04	0.94
TP9C120D20MP13C	CF/CM64D	1.02	1.06	0.98
TPLC080C16MP12C	CF/CM/CU48C	1.00	0.97	1.00
TPLC080C16MP12C	CF/CM/CU48D	1.01	0.97	0.99
TPLC080C16MP12C	CF/CM/CU60C	1.01	0.98	0.99
TPLC080C16MP12C	CF/CM/CU60D	1.01	0.98	0.97

FURNACE MULTIPLIERS- 4 TON (Continued)

Furnaces	Coil	T.C.	S.C.	KW
TPLC080C16MP12C	CF/CM64D	1.01	0.96	0.97
TPLC080C16MP13C	CF/CM/CU48C	0.99	1.04	0.97
TPLC080C16MP13C	CF/CM/CU60C	1.00	1.05	0.96
TPLC080C16MP13C	CF/CM64D	1.02	1.06	0.96
TPLC100C16MP12C	CF/CM/CU48C	1.00	0.97	1.00
TPLC100C16MP12C	CF/CM/CU48D	1.01	0.97	0.99
TPLC100C16MP12C	CF/CM/CU60C	1.01	0.98	0.99
TPLC100C16MP12C	CF/CM/CU60D	1.01	0.98	0.97
TPLC100C16MP12C	CF/CM64D	1.01	0.96	0.97
TPLC100C16MP13C	CF/CM/CU48C	0.99	1.04	0.97
TPLC100C16MP13C	CF/CM/CU60C	1.00	1.05	0.96
TPLC100C16MP13C	CF/CM64D	1.02	1.06	0.96
TPLC100C20MP12C	CF/CM/CU48C	0.99	0.95	0.97
TPLC100C20MP12C	CF/CM/CU48D	1.01	1.00	0.97
TPLC100C20MP12C	CF/CM/CU60C	1.01	1.00	0.97
TPLC100C20MP12C	CF/CM64D	1.03	1.02	0.99
TPLC100C20MP13C	CF/CM/CU48C	0.99	1.04	0.97
TPLC100C20MP13C	CF/CM/CU60C	0.99	1.00	0.95
TPLC100C20MP13C	CF/CM64D	1.02	1.06	0.98
TPLC120C20MP12C	CF/CM/CU48C	0.99	0.95	0.97
TPLC120C20MP12C	CF/CM/CU48D	1.01	1.00	0.97
TPLC120C20MP12C	CF/CM/CU60C	1.01	1.00	0.97
TPLC120C20MP12C	CF/CM64D	1.03	1.02	0.99
TPLC120C20MP13C	CF/CM/CU48C	0.99	1.04	0.97
TPLC120C20MP13C	CF/CM/CU60C	0.99	1.00	0.95
TPLC120C20MP13C	CF/CM64D	1.02	1.06	0.98
YP9C080C16MP12C	CF/CM/CU48C	1.00	0.94	1.00
YP9C080C16MP12C	CF/CM/CU48D	1.01	0.99	0.97
YP9C080C16MP12C	CF/CM/CU60C	1.00	0.96	0.96
YP9C080C16MP12C	CF/CM/CU60D	1.01	0.98	0.97
YP9C080C16MP12C	CF/CM64D	1.02	0.96	0.96
YP9C080C16MP13C	CF/CM/CU48C	0.99	0.99	0.97
YP9C080C16MP13C	CF/CM/CU48D	1.00	1.01	0.96
YP9C080C16MP13C	CF/CM/CU60C	0.99	1.00	0.97
YP9C080C16MP13C	CF/CM/CU60D	0.99	1.00	0.97
YP9C080C16MP13C	CF/CM64D	1.02	1.03	0.96
YP9C100C16MP12C	CF/CM/CU48C	1.00	0.94	1.00
YP9C100C16MP12C	CF/CM/CU48D	1.01	0.99	0.97
YP9C100C16MP12C	CF/CM/CU60C	1.00	0.96	0.96
YP9C100C16MP12C	CF/CM/CU60D	1.01	0.98	0.97
YP9C100C16MP12C	CF/CM64D	1.02	0.96	0.96
YP9C100C16MP13C	CF/CM/CU48C	1.00	1.07	0.98
YP9C100C16MP13C	CF/CM/CU60C	1.01	1.08	0.97
YP9C100C16MP13C	CF/CM64D	1.03	1.11	0.98
YP9C100C20MP12C	CF/CM/CU48C	1.00	0.94	1.00
YP9C100C20MP12C	CF/CM/CU48D	1.00	0.94	1.00
YP9C100C20MP12C	CF/CM/CU60C	1.00	0.95	0.98
YP9C100C20MP12C	CF/CM/CU60D	1.00	0.95	0.98
YP9C100C20MP12C	CF/CM64D	1.02	0.96	0.96
YP9C100C20MP13C	CF/CM/CU48C	1.00	1.07	0.98
YP9C100C20MP13C	CF/CM/CU60C	1.01	1.08	0.97
YP9C100C20MP13C	CF/CM64D	1.03	1.11	0.98
YP9C100C20MP13C	CF/CM/CU48C	1.00	0.94	1.00
YP9C100C20MP13C	CF/CM/CU48D	1.00	0.94	1.00
YP9C100C20MP13C	CF/CM/CU60C	1.00	0.95	0.98
YP9C100C20MP13C	CF/CM/CU60D	1.00	0.95	0.98
YP9C100C20MP13C	CF/CM64D	1.02	0.96	0.96
YP9C100C20MP13C	CF/CM/CU48C	1.00	1.07	1.00
YP9C100C20MP13C	CF/CM/CU60C	1.01	1.08	0.99
YP9C100C20MP13C	CF/CM64D	1.03	1.11	0.98
YP9C120D20MP12C	CF/CM/CU48D	1.00	0.95	0.98
YP9C120D20MP12C	CF/CM/CU60D	1.01	1.00	0.97
YP9C120D20MP12C	CF/CM64D	1.04	1.04	1.00
YP9C120D20MP12C	CF/CM/CU48C	1.00	0.95	0.98
YP9C120D20MP12C	CF/CM/CU60D	1.01	1.00	0.97
YP9C120D20MP12C	CF/CM64D	1.04	1.04	1.00

FURNACE MULTIPLIERS- 4 TON (Continued)

Furnaces	Coil	T.C.	S.C.	KW
YP9C120D20MP13C	CF/CM/CU48D	0.99	1.03	0.95
YP9C120D20MP13C	CF/CM/CU60D	1.00	1.04	0.94
YP9C120D20MP13C	CF/CM64D	1.02	1.06	0.98
YPLC080C16MP12C	CF/CM/CU48C	1.00	0.97	1.00
YPLC080C16MP12C	CF/CM/CU48D	1.01	0.97	0.99
YPLC080C16MP12C	CF/CM/CU60C	1.01	0.98	0.99
YPLC080C16MP12C	CF/CM/CU60D	1.01	0.98	0.97
YPLC080C16MP12C	CF/CM64D	1.01	0.96	0.97
YPLC080C16MP13C	CF/CM/CU48C	0.99	1.04	0.97
YPLC080C16MP13C	CF/CM/CU60C	1.00	1.05	0.96
YPLC080C16MP13C	CF/CM64D	1.02	1.06	0.96
YPLC100C16MP12C	CF/CM/CU48C	1.00	0.97	1.00
YPLC100C16MP12C	CF/CM/CU48D	1.01	0.97	0.99
YPLC100C16MP12C	CF/CM/CU60C	1.01	0.98	0.99
YPLC100C16MP12C	CF/CM/CU60D	1.01	0.98	0.97
YPLC100C16MP12C	CF/CM64D	1.01	0.96	0.97
YPLC100C16MP13C	CF/CM/CU48C	0.99	1.04	0.97
YPLC100C16MP13C	CF/CM/CU60C	1.00	1.05	0.96

FURNACE MULTIPLIERS- 4 TON (Continued)

Furnaces	Coil	T.C.	S.C.	KW
YPLC100C16MP13C	CF/CM64D	1.02	1.06	0.96
YPLC100C20MP12C	CF/CM/CU48C	0.99	0.95	0.97
YPLC100C20MP12C	CF/CM/CU48D	1.01	1.00	0.97
YPLC100C20MP12C	CF/CM/CU60C	1.01	1.00	0.97
YPLC100C20MP12C	CF/CM64D	1.03	1.02	0.99
YPLC100C20MP13C	CF/CM/CU48C	0.99	1.04	0.97
YPLC100C20MP13C	CF/CM/CU60C	0.99	1.00	0.95
YPLC100C20MP13C	CF/CM64D	1.02	1.06	0.98
YPLC120C20MP12C	CF/CM/CU48C	0.99	0.95	0.97
YPLC120C20MP12C	CF/CM/CU48D	1.01	1.00	0.97
YPLC120C20MP12C	CF/CM/CU60C	1.01	1.00	0.97
YPLC120C20MP12C	CF/CM64D	1.03	1.02	0.99
YPLC120C20MP13C	CF/CM/CU48C	0.99	1.04	0.97
YPLC120C20MP13C	CF/CM/CU60C	0.99	1.00	0.95
YPLC120C20MP13C	CF/CM64D	1.02	1.06	0.98

PERFORMANCE DATA - 5 TON 208-230 Volt

CONDENSER-ONLY DATA (OUTDOOR UNIT)																		
MODEL	SATURATED SUCTION @ COMPRESSOR		Outdoor Ambient Temperature															
			55 °F		65 °F		75 °F		85 °F		95 °F		105 °F		115 °F		125 °F	
	T (°F)	P (PSIG)	MBH	KW	MBH	KW	MBH	KW	MBH	KW	MBH	KW	MBH	KW	MBH	KW	MBH	KW
TCG60B31S	35	107	54.6	2.89	52.2	3.20	49.6	3.56	46.8	3.97	43.8	4.43	40.8	4.97	37.7	5.56	34.5	6.24
	40	118	60.2	2.90	57.8	3.17	54.7	3.56	51.6	3.96	48.5	4.42	45.2	4.95	41.8	5.56	38.3	6.22
	45	130	66.2	2.91	63.3	3.21	60.2	3.55	56.9	3.95	53.4	4.41	49.9	4.94	46.2	5.55	42.5	6.21
	50	142	72.6	2.93	69.4	3.22	66.0	3.56	62.5	3.95	58.8	4.40	54.9	4.93	51.0	5.53	46.9	6.19
	55	156	79.4	2.96	75.9	3.24	72.2	3.58	68.3	3.97	64.4	4.39	60.3	4.92	56.0	5.52	51.6	6.17

Notes:

- For Outdoor Unit (Condenser) performance only. Data does not include the effects of air handler power or heat.
- Performance based on 15°F subcooling and 15°F superheat at the Outdoor Unit base valves.
 - Increase capacity by 1% for each 2°F increase in subcooling.
 - Decrease capacity by 1% for each 2°F decrease in subcooling.
- Maximum recommended condensing temperature is 140°F.

COOLING PERFORMANCE DATA																
OUTDOOR UNIT MODEL NO.		TCG60B31S														
INDOOR COIL MODEL NO.		CF64DXA1														
AIR TEMP. ENTERING OUTDOOR UNIT (°F)	ID CFM	1525					1725					1925				
	ID DB (°F)	80	80	75	80	80	80	80	75	80	80	80	80	75	80	80
	ID WB (°F)	57	62	62	67	72	57	62	62	67	72	57	62	62	67	72
55	T.C.	54.6	60.1	60.1	66.4	71.3	56.6	61.4	61.4	67.2	72.4	58.7	62.6	62.6	67.9	73.6
	S.C.	54.6	49.8	42.7	42.4	34.1	56.6	52.9	45.0	44.6	35.4	58.7	56.0	47.3	46.8	36.6
	KW	2.91	2.93	2.94	2.93	2.96	2.98	3.00	3.01	3.01	3.04	3.06	3.08	3.09	3.10	3.13
65	T.C.	53.1	57.7	57.6	64.2	69.3	55.0	59.0	58.9	65.3	70.6	56.9	60.3	60.3	66.3	71.8
	S.C.	53.1	48.4	41.2	41.7	33.4	55.0	51.6	43.8	44.0	34.5	56.9	54.9	46.3	46.3	35.7
	KW	3.22	3.24	3.25	3.25	3.27	3.29	3.32	3.32	3.33	3.35	3.37	3.39	3.40	3.41	3.44
75	T.C.	51.6	55.2	55.0	62.0	67.4	53.3	56.6	56.5	63.3	68.7	55.1	58.1	58.1	64.7	70.0
	S.C.	51.6	46.9	39.7	41.0	32.7	53.3	50.4	42.5	43.4	33.7	55.1	53.8	45.2	45.8	34.8
	KW	3.52	3.55	3.56	3.56	3.57	3.60	3.63	3.63	3.64	3.66	3.67	3.70	3.70	3.71	3.74
85	T.C.	49.7	53.2	53.2	59.4	64.1	51.6	54.5	54.4	60.4	65.7	53.4	55.7	55.6	61.5	67.4
	S.C.	49.7	46.2	38.9	39.7	31.1	51.6	49.5	41.5	41.9	32.5	53.4	52.7	44.1	44.2	33.9
	KW	3.96	4.00	4.00	4.00	3.99	4.03	4.07	4.07	4.07	4.07	4.10	4.14	4.14	4.14	4.15
95	T.C.	47.8	51.2	51.3	56.7	60.8	49.8	52.3	52.2	57.5	62.8	51.8	53.4	53.1	58.3	64.8
	S.C.	47.8	45.6	38.0	38.4	29.6	49.8	48.6	40.5	40.5	31.3	51.8	51.7	42.9	42.6	33.1
	KW	4.39	4.44	4.43	4.44	4.40	4.46	4.51	4.50	4.51	4.48	4.52	4.58	4.58	4.58	4.55
105	T.C.	45.5	48.4	48.2	53.4	57.9	47.3	49.4	49.1	54.1	59.4	49.2	50.4	50.1	54.8	60.9
	S.C.	45.5	44.2	36.8	36.9	28.5	47.3	46.9	38.9	39.0	30.2	49.2	49.6	41.2	40.9	31.9
	KW	5.22	5.23	5.27	5.24	5.16	5.26	5.29	5.31	5.29	5.23	5.31	5.36	5.36	5.34	5.30
115	T.C.	43.3	45.7	45.1	50.1	55.1	45.0	46.6	46.1	50.8	56.1	46.6	47.5	47.2	51.5	57.1
	S.C.	43.3	42.9	35.5	35.5	27.4	45.0	45.3	37.5	37.4	29.1	46.6	47.5	39.6	39.3	30.7
	KW	6.02	5.98	6.08	6.02	5.89	6.04	6.05	6.10	6.05	5.96	6.06	6.11	6.11	6.09	6.02
125	T.C.	41.1	43.0	42.0	46.9	52.3	42.6	43.8	43.1	47.5	52.8	44.1	44.5	44.2	48.2	53.3
	S.C.	41.1	41.6	34.2	34.0	26.3	42.6	43.7	36.1	35.9	28.0	44.1	44.5	37.9	37.7	29.6
	KW	6.82	6.74	6.89	6.79	6.62	6.82	6.81	6.88	6.81	6.68	6.82	6.87	6.87	6.83	6.74

ALL CAPACITIES INCLUDE INDOOR FAN HEAT. KW VALUES ARE FOR THE SYSTEM (OUTDOOR + INDOOR).

Green shaded cells are ACCA (TVA) conditions.

Blue shaded cells are AHRI conditions.

Multipliers for determining the performance with other indoor sections.

NOTE: For dry bulb temperatures different than those listed (between 73-87 °F), sensible capacity increases by 1060 BTUH per 1000 CFM per degree above the listed temperature and decreases by 1060 BTUH per 1000 CFM per degree below the listed temperature.

COIL MULTIPLIERS- 5 TON

Air Handler	Coil	T.C.	S.C.	KW
-	CF/CM/CU60C	0.98	0.99	1.04
-	CF/CM/CU60D	0.98	0.99	1.04
-	CF/CM64D	1.00	1.00	1.00
AE60CX21	-	0.97	0.96	0.99
AE60CX22	-	0.97	1.00	1.00
AE60DX21	-	0.99	1.01	0.97
AP60CX21	-	0.97	0.95	1.05
AP60DX21	-	0.97	0.96	1.03
AP60DX22	-	0.97	0.96	1.03
AVC60CX21	-	0.98	1.00	1.02
AVC60DX21	-	1.00	1.03	1.00
ME16CN21	CF/CM60C	0.97	0.99	0.98
ME20DN21	CF/CM60D	0.99	1.05	0.97
ME20DN21	CF/CM64D	1.01	1.06	0.99
MVC16CN21	CF/CM60C	0.97	1.01	0.97
MVC20DN21	CF/CM60D	0.98	1.01	0.96
MVC20DN21	CF/CM64D	1.00	1.02	0.98

FURNACE MULTIPLIERS- 5 TON

Furnaces	Coil	T.C.	S.C.	KW
TL8E080C16UH11	CF/CM/CU60C	0.95	0.97	1.03
TL8E080C16UH11	CF/CM/CU60D	0.96	0.99	1.02
TL8E080C16UH11	CF/CM64D	0.97	1.00	1.01
TL8E100C20UH11	CF/CM/CU60C	0.96	1.00	1.00
TL8E100C20UH11	CF/CM/CU60D	0.96	1.00	1.00
TL8E100C20UH11	CF/CM64D	0.99	1.03	1.01
TL9E100C20UH11	CF/CM/CU60C	0.96	1.00	1.02
TL9E100C20UH11	CF/CM/CU60D	0.96	1.00	1.02
TL9E100C20UH11	CF/CM64D	0.99	1.03	1.01
TM8E080C16MP11	CF/CM/CU60C	0.95	0.98	1.01
TM8E080C16MP11	CF/CM/CU60D	0.96	1.00	1.02
TM8E080C16MP11	CF/CM64D	0.98	1.02	1.02
TM8E080C20MP11	CF/CM/CU60C	0.96	0.98	1.00
TM8E080C20MP11	CF/CM/CU60D	0.96	0.99	1.00
TM8E080C20MP11	CF/CM64D	0.99	1.02	0.99
TM8E100C16MP11	CF/CM/CU60C	0.95	0.98	1.01
TM8E100C16MP11	CF/CM/CU60D	0.96	1.00	1.02
TM8E100C16MP11	CF/CM64D	0.98	1.02	1.02
TM8E100C20MP11	CF/CM/CU60C	0.97	1.03	1.05
TM8E100C20MP11	CF/CM/CU60D	0.96	0.98	1.00
TM8E100C20MP11	CF/CM64D	0.99	1.00	0.99
TM8E120C16MP11	CF/CM/CU60C	0.96	0.99	1.02
TM8E120C16MP11	CF/CM/CU60D	0.96	1.00	1.02
TM8E120C16MP11	CF/CM64D	0.98	1.02	1.02
TM8E120C20MP11	CF/CM/CU60C	0.97	1.03	1.03
TM8E120C20MP11	CF/CM/CU60D	0.95	0.98	0.99
TM8E120C20MP11	CF/CM64D	0.99	1.00	0.99
TM8E130D20MP11	CF/CM/CU60D	0.97	1.01	1.00
TM8E130D20MP11	CF/CM64D	0.99	1.04	0.99
TM8V080C16MP12C	CF/CM/CU60C	0.98	1.03	1.03
TM8V080C16MP12C	CF/CM/CU60D	0.98	1.03	1.02
TM8V100C16MP12C	CF/CM/CU60C	0.98	1.03	1.03
TM8V100C16MP12C	CF/CM/CU60D	0.98	1.03	1.02
TM8V100C20MP11C	CF/CM/CU60D	0.97	1.00	1.03

FURNACE MULTIPLIERS- 5 TON (Continued)

Furnaces	Coil	T.C.	S.C.	KW
TM8V100C20MP12C	CF/CM/CU60C	0.96	0.97	0.98
TM8V100C20MP12C	CF/CM/CU60D	0.96	0.97	0.98
TM8V100C20MP12C	CF/CM64D	0.97	0.98	0.97
TM8V120C20MP11C	CF/CM/CU60D	0.97	1.00	1.03
TM8V120C20MP12C	CF/CM/CU60C	0.96	0.97	0.98
TM8V120C20MP12C	CF/CM/CU60D	0.96	0.97	0.98
TM8V120C20MP12C	CF/CM64D	0.97	0.98	0.97
TM8X080C16MP11	CF/CM/CU60C	0.95	0.95	0.99
TM8X080C16MP11	CF/CM/CU60D	0.96	0.97	1.00
TM8X080C16MP11	CF/CM64D	0.97	0.96	0.98
TM8X100C16MP11	CF/CM/CU60C	0.95	0.95	0.99
TM8X100C16MP11	CF/CM/CU60D	0.96	0.97	1.00
TM8X100C16MP11	CF/CM64D	0.97	0.96	0.98
TM8X100C20MP11	CF/CM/CU60C	0.97	0.96	1.01
TM8X100C20MP11	CF/CM/CU60D	0.97	0.96	0.99
TM8X100C20MP11	CF/CM64D	1.00	0.98	1.00
TM8X120C20MP11	CF/CM/CU60C	0.97	0.96	1.01
TM8X120C20MP11	CF/CM/CU60D	0.97	0.96	0.99
TM8X120C20MP11	CF/CM64D	1.00	0.98	1.00
TM8Y080C16MP11	CF/CM/CU60C	0.95	0.95	0.99
TM8Y080C16MP11	CF/CM/CU60D	0.96	0.97	1.00
TM8Y080C16MP11	CF/CM64D	0.97	0.96	0.98
TM8Y100C16MP11	CF/CM/CU60C	0.95	0.95	0.99
TM8Y100C16MP11	CF/CM/CU60D	0.96	0.97	1.00
TM8Y100C16MP11	CF/CM64D	0.97	0.96	0.98
TM8Y100C20MP11	CF/CM/CU60C	0.97	0.96	1.01
TM8Y100C20MP11	CF/CM/CU60D	0.97	0.96	0.99
TM8Y100C20MP11	CF/CM64D	1.00	0.98	1.00
TM8Y120C20MP11	CF/CM/CU60C	0.97	0.96	1.01
TM8Y120C20MP11	CF/CM/CU60D	0.97	0.96	0.99
TM8Y120C20MP11	CF/CM64D	1.00	0.98	1.00
TM9E080C20MP12	CF/CM/CU60C	0.97	1.03	1.05
TM9E080C20MP12	CF/CM/CU60D	0.95	0.98	0.99
TM9E080C20MP12	CF/CM64D	1.00	1.08	1.04
TM9E100C16MP12	CF/CM/CU60D	0.95	0.99	1.03
TM9E100C20MP11	CF/CM/CU60C	0.95	0.95	0.99
TM9E100C20MP11	CF/CM/CU60D	0.97	0.96	1.01
TM9E100C20MP11	CF/CM64D	0.99	0.98	1.01
TM9E100C20MP12	CF/CM/CU60C	0.97	1.02	1.03
TM9E100C20MP12	CF/CM/CU60D	0.96	0.98	1.00
TM9E100C20MP12	CF/CM64D	0.99	1.00	0.99
TM9E120D20MP11	CF/CM/CU60D	0.97	0.96	0.99
TM9E120D20MP11	CF/CM64D	1.00	0.98	1.00
TM9E120D20MP12	CF/CM/CU60D	0.96	1.00	1.02
TM9E120D20MP12	CF/CM64D	0.99	1.03	1.01
TM9V080C16MP11C	CF/CM/CU60C	0.97	0.96	1.03
TM9V080C16MP11C	CF/CM/CU60D	0.95	0.97	1.01
TM9V080C16MP12C	CF/CM/CU60D	0.95	0.97	1.01
TM9V100C16MP11C	CF/CM/CU60C	0.97	0.96	1.03
TM9V100C16MP12C	CF/CM/CU60C	0.97	0.99	1.00
TM9V100C16MP12C	CF/CM/CU60D	0.97	0.99	0.98
TM9V100C16MP12C	CF/CM64D	0.98	1.00	1.00
TM9V100C20MP11C	CF/CM64D	0.98	0.94	1.00
TM9V100C20MP12C	CF/CM/CU60C	0.97	0.99	1.00
TM9V100C20MP12C	CF/CM64D	0.98	1.00	1.00

FURNACE MULTIPLIERS- 5 TON (Continued)

Furnaces	Coil	T.C.	S.C.	KW
TM9V120D20MP11C	CF/CM/CU60D	0.97	0.96	1.01
TM9V120D20MP11C	CF/CM64D	1.00	0.98	1.02
TM9V120D20MP12C	CF/CM/CU60D	0.97	0.98	0.97
TM9V120D20MP12C	CF/CM64D	0.98	0.99	0.98
TM9Y100C20MP11	CF/CM/CU60C	0.95	0.95	0.99
TM9Y100C20MP11	CF/CM/CU60D	0.97	0.96	1.01
TM9Y100C20MP11	CF/CM64D	0.99	0.98	1.01
TM9Y120D20MP11	CF/CM/CU60D	0.97	0.96	0.99
TM9Y120D20MP11	CF/CM64D	1.00	0.98	1.00
TMLE080C16MP11	CF/CM/CU60C	0.95	0.98	1.01
TMLE080C16MP11	CF/CM/CU60D	0.96	1.00	1.02
TMLE080C16MP11	CF/CM64D	0.98	1.02	1.02
TMLE080C20MP11	CF/CM/CU60C	0.96	0.98	1.00
TMLE080C20MP11	CF/CM/CU60D	0.96	0.99	1.00
TMLE080C20MP11	CF/CM64D	0.99	1.02	0.99
TMLE100C16MP11	CF/CM/CU60C	0.95	0.98	1.01
TMLE100C16MP11	CF/CM/CU60D	0.96	1.00	1.02
TMLE100C16MP11	CF/CM64D	0.98	1.02	1.02
TMLE100C20MP11	CF/CM/CU60C	0.97	1.03	1.05
TMLE100C20MP11	CF/CM/CU60D	0.96	0.98	1.00
TMLE100C20MP11	CF/CM64D	0.99	1.00	0.99
TMLE120C16MP11	CF/CM/CU60C	0.96	0.99	1.02
TMLE120C16MP11	CF/CM/CU60D	0.96	1.00	1.02
TMLE120C16MP11	CF/CM64D	0.98	1.02	1.02
TMLE120C20MP11	CF/CM/CU60C	0.97	1.03	1.03
TMLE120C20MP11	CF/CM/CU60D	0.95	0.98	0.99
TMLE120C20MP11	CF/CM64D	0.99	1.00	0.99
TMLE130D20MP11	CF/CM/CU60D	0.97	1.01	1.00
TMLE130D20MP11	CF/CM64D	0.99	1.04	0.99
TMLV080C16MP12C	CF/CM/CU60C	0.98	1.03	1.03
TMLV080C16MP12C	CF/CM/CU60D	0.98	1.03	1.02
TMLV100C16MP12C	CF/CM/CU60C	0.98	1.03	1.03
TMLV100C16MP12C	CF/CM/CU60D	0.98	1.03	1.02
TMLV100C20MP11C	CF/CM/CU60D	0.97	1.00	1.03
TMLV100C20MP12C	CF/CM/CU60C	0.96	0.97	0.98
TMLV100C20MP12C	CF/CM/CU60D	0.96	0.97	0.98
TMLV100C20MP12C	CF/CM64D	0.97	0.98	0.97
TMLV120C20MP11C	CF/CM/CU60D	0.97	1.00	1.03
TMLV120C20MP12C	CF/CM/CU60C	0.96	0.97	0.98
TMLV120C20MP12C	CF/CM/CU60D	0.96	0.97	0.98
TMLV120C20MP12C	CF/CM64D	0.97	0.98	0.97
TMLX080C16MP11	CF/CM/CU60C	0.95	0.95	0.99
TMLX080C16MP11	CF/CM/CU60D	0.96	0.97	1.00
TMLX080C16MP11	CF/CM64D	0.97	0.96	0.98
TMLX100C16MP11	CF/CM/CU60C	0.95	0.95	0.99
TMLX100C16MP11	CF/CM/CU60D	0.96	0.97	1.00
TMLX100C16MP11	CF/CM64D	0.97	0.96	0.98
TMLX100C20MP11	CF/CM/CU60C	0.97	0.96	1.01
TMLX100C20MP11	CF/CM/CU60D	0.97	0.96	0.99
TMLX100C20MP11	CF/CM64D	1.00	0.98	1.00
TMLX120C20MP11	CF/CM/CU60C	0.97	0.96	1.01
TMLX120C20MP11	CF/CM/CU60D	0.97	0.96	0.99
TMLX120C20MP11	CF/CM64D	1.00	0.98	1.00

FURNACE MULTIPLIERS- 5 TON (Continued)

Furnaces	Coil	T.C.	S.C.	KW
TP9C080C16MP12C	CF/CM/CU60C	0.97	0.96	1.03
TP9C080C16MP13C	CF/CM/CU60D	0.95	0.97	1.01
TP9C100C16MP12C	CF/CM/CU60C	0.97	0.96	1.03
TP9C100C16MP13C	CF/CM/CU60C	0.97	0.99	1.00
TP9C100C16MP13C	CF/CM/CU60D	0.97	0.99	0.98
TP9C100C16MP13C	CF/CM64D	0.98	1.00	1.00
TP9C100C20MP12C	CF/CM64D	0.98	0.94	1.00
TP9C100C20MP13C	CF/CM/CU60C	0.97	0.99	1.00
TP9C100C20MP13C	CF/CM64D	0.98	1.00	1.00
TP9C120D20MP12C	CF/CM/CU60D	0.97	0.96	1.01
TP9C120D20MP12C	CF/CM64D	1.00	0.98	1.02
TP9C120D20MP13C	CF/CM/CU60D	0.97	0.98	0.97
TP9C120D20MP13C	CF/CM64D	0.98	0.99	0.98
TPLC080C16MP13C	CF/CM/CU60C	0.98	1.03	1.03
TPLC080C16MP13C	CF/CM/CU60D	0.98	1.03	1.02
TPLC100C16MP13C	CF/CM/CU60C	0.98	1.03	1.03
TPLC100C16MP13C	CF/CM/CU60D	0.98	1.03	1.02
TPLC100C20MP12C	CF/CM/CU60D	0.97	1.00	1.03
TPLC100C20MP13C	CF/CM/CU60C	0.96	0.97	0.98
TPLC100C20MP13C	CF/CM/CU60D	0.96	0.97	0.98
TPLC100C20MP13C	CF/CM64D	0.97	0.98	0.97
TPLC120C20MP12C	CF/CM/CU60D	0.97	1.00	1.03
TPLC120C20MP13C	CF/CM/CU60C	0.96	0.97	0.98
TPLC120C20MP13C	CF/CM/CU60D	0.96	0.97	0.98
TPLC120C20MP13C	CF/CM64D	0.97	0.98	0.97
YP9C080C16MP12C	CF/CM/CU60C	0.97	0.96	1.03
YP9C080C16MP13C	CF/CM/CU60D	0.95	0.97	1.01
YP9C100C16MP12C	CF/CM/CU60C	0.97	0.96	1.03
YP9C100C16MP13C	CF/CM/CU60C	0.97	0.99	1.00
YP9C100C16MP13C	CF/CM/CU60D	0.97	0.99	0.98
YP9C100C16MP13C	CF/CM64D	0.98	1.00	1.00
YP9C100C20MP12C	CF/CM64D	0.98	0.94	1.00
YP9C100C20MP13C	CF/CM/CU60C	0.97	0.99	1.00
YP9C100C20MP13C	CF/CM64D	0.98	1.00	1.00
YP9C120D20MP12C	CF/CM/CU60D	0.97	0.96	1.01
YP9C120D20MP12C	CF/CM64D	1.00	0.98	1.02
YP9C120D20MP13C	CF/CM/CU60D	0.97	0.98	0.97
YP9C120D20MP13C	CF/CM64D	0.98	0.99	0.98
YPLC080C16MP13C	CF/CM/CU60C	0.98	1.03	1.03
YPLC080C16MP13C	CF/CM/CU60D	0.98	1.03	1.02
YPLC100C16MP13C	CF/CM/CU60C	0.98	1.03	1.03
YPLC100C16MP13C	CF/CM/CU60D	0.98	1.03	1.02
YPLC100C20MP12C	CF/CM/CU60D	0.97	1.00	1.03
YPLC100C20MP13C	CF/CM/CU60C	0.96	0.97	0.98
YPLC100C20MP13C	CF/CM/CU60D	0.96	0.97	0.98
YPLC100C20MP13C	CF/CM64D	0.97	0.98	0.97
YPLC120C20MP12C	CF/CM/CU60D	0.97	1.00	1.03
YPLC120C20MP13C	CF/CM/CU60C	0.96	0.97	0.98
YPLC120C20MP13C	CF/CM/CU60D	0.96	0.97	0.98
YPLC120C20MP13C	CF/CM64D	0.97	0.98	0.97

PERFORMANCE DATA - 5 TON 460 Volt

CONDENSER-ONLY DATA (OUTDOOR UNIT)																		
MODEL	SATURATED SUCTION @ COMPRESSOR		Outdoor Ambient Temperature															
			55 °F		65 °F		75 °F		85 °F		95 °F		105 °F		115 °F		125 °F	
	T (°F)	P (PSIG)	MBH	KW	MBH	KW	MBH	KW	MBH	KW	MBH	KW	MBH	KW	MBH	KW	MBH	KW
TCG60B41S	35	107	54.6	2.89	52.2	3.20	49.6	3.56	46.8	3.97	43.8	4.43	40.8	4.97	37.7	5.56	34.5	6.24
	40	118	60.2	2.90	57.8	3.17	54.7	3.56	51.6	3.96	48.5	4.42	45.2	4.95	41.8	5.56	38.3	6.22
	45	130	66.2	2.91	63.3	3.21	60.2	3.55	56.9	3.95	53.4	4.41	49.9	4.94	46.2	5.55	42.5	6.21
	50	142	72.6	2.93	69.4	3.22	66.0	3.56	62.5	3.95	58.8	4.40	54.9	4.93	51.0	5.53	46.9	6.19
	55	156	79.4	2.96	75.9	3.24	72.2	3.58	68.3	3.97	64.4	4.39	60.3	4.92	56.0	5.52	51.6	6.17

Notes:

- For Outdoor Unit (Condenser) performance only. Data does not include the effects of air handler power or heat.
- Performance based on 15°F subcooling and 15°F superheat at the Outdoor Unit base valves.
 - Increase capacity by 1% for each 2°F increase in subcooling.
 - Decrease capacity by 1% for each 2°F decrease in subcooling.
- Maximum recommended condensing temperature is 140°F.

COOLING PERFORMANCE DATA																
OUTDOOR UNIT MODEL NO.		TCG60B41S														
INDOOR COIL MODEL NO.		CF64DXA1														
AIR TEMP. ENTERING OUTDOOR UNIT (°F)	ID CFM	1525					1725					1925				
	ID DB (°F)	80	80	75	80	80	80	80	75	80	80	80	80	75	80	80
	ID WB (°F)	57	62	62	67	72	57	62	62	67	72	57	62	62	67	72
55	T.C.	54.6	60.1	60.1	66.4	71.3	56.6	61.4	61.4	67.2	72.4	58.7	62.6	62.6	67.9	73.6
	S.C.	54.6	49.8	42.7	42.4	34.1	56.6	52.9	45.0	44.6	35.4	58.7	56.0	47.3	46.8	36.6
	KW	2.91	2.93	2.94	2.93	2.96	2.98	3.00	3.01	3.01	3.04	3.06	3.08	3.09	3.10	3.13
65	T.C.	53.1	57.7	57.6	64.2	69.3	55.0	59.0	58.9	65.3	70.6	56.9	60.3	60.3	66.3	71.8
	S.C.	53.1	48.4	41.2	41.7	33.4	55.0	51.6	43.8	44.0	34.5	56.9	54.9	46.3	46.3	35.7
	KW	3.22	3.24	3.25	3.25	3.27	3.29	3.32	3.32	3.33	3.35	3.37	3.39	3.40	3.41	3.44
75	T.C.	51.6	55.2	55.0	62.0	67.4	53.3	56.6	56.5	63.3	68.7	55.1	58.1	58.1	64.7	70.0
	S.C.	51.6	46.9	39.7	41.0	32.7	53.3	50.4	42.5	43.4	33.7	55.1	53.8	45.2	45.8	34.8
	KW	3.52	3.55	3.56	3.56	3.57	3.60	3.63	3.63	3.64	3.66	3.67	3.70	3.70	3.71	3.74
85	T.C.	49.7	53.2	53.2	59.4	64.1	51.6	54.5	54.4	60.4	65.7	53.4	55.7	55.6	61.5	67.4
	S.C.	49.7	46.2	38.9	39.7	31.1	51.6	49.5	41.5	41.9	32.5	53.4	52.7	44.1	44.2	33.9
	KW	3.96	4.00	4.00	4.00	3.99	4.03	4.07	4.07	4.07	4.07	4.10	4.14	4.14	4.14	4.15
95	T.C.	47.8	51.2	51.3	56.7	60.8	49.8	52.3	52.2	57.5	62.8	51.8	53.4	53.1	58.3	64.8
	S.C.	47.8	45.6	38.0	38.4	29.6	49.8	48.6	40.5	40.5	31.3	51.8	51.7	42.9	42.6	33.1
	KW	4.39	4.44	4.43	4.44	4.40	4.46	4.51	4.50	4.51	4.48	4.52	4.58	4.58	4.58	4.55
105	T.C.	45.5	48.4	48.2	53.4	57.9	47.3	49.4	49.1	54.1	59.4	49.2	50.4	50.1	54.8	60.9
	S.C.	45.5	44.2	36.8	36.9	28.5	47.3	46.9	39.0	38.9	30.2	49.2	49.6	41.2	40.9	31.9
	KW	5.22	5.23	5.27	5.24	5.16	5.26	5.29	5.31	5.29	5.23	5.31	5.36	5.36	5.34	5.30
115	T.C.	43.3	45.7	45.1	50.1	55.1	45.0	46.6	46.1	50.8	56.1	46.6	47.5	47.2	51.5	57.1
	S.C.	43.3	42.9	35.5	35.5	27.4	45.0	45.3	37.5	37.4	29.1	46.6	47.5	39.6	39.3	30.7
	KW	6.02	5.98	6.08	6.02	5.89	6.04	6.05	6.10	6.05	5.96	6.06	6.11	6.11	6.09	6.02
125	T.C.	41.1	43.0	42.0	46.9	52.3	42.6	43.8	43.1	47.5	52.8	44.1	44.5	44.2	48.2	53.3
	S.C.	41.1	41.6	34.2	34.0	26.3	42.6	43.7	36.1	35.9	28.0	44.1	44.5	37.9	37.7	29.6
	KW	6.82	6.74	6.89	6.79	6.62	6.82	6.81	6.88	6.81	6.68	6.82	6.87	6.87	6.83	6.74

ALL CAPACITIES INCLUDE INDOOR FAN HEAT. KW VALUES ARE FOR THE SYSTEM (OUTDOOR + INDOOR).

Green shaded cells are ACCA (TVA) conditions.

Blue shaded cells are AHRI conditions.

Multipliers for determining the performance with other indoor sections.

NOTE: For dry bulb temperatures different than those listed (between 73-87 °F), sensible capacity increases by 1060 BTUH per 1000 CFM per degree above the listed temperature and decreases by 1060 BTUH per 1000 CFM per degree below the listed temperature.

COIL MULTIPLIERS- 5 TON

Air Handler	Coil	T.C.	S.C.	KW
-	CF/CM/CU60C	0.98	0.99	1.04
-	CF/CM/CU60D	0.98	0.99	1.04
-	CF/CM64D	1.00	1.00	1.00
AE60CX21	-	0.97	0.96	0.99
AE60CX22	-	0.97	1.00	1.00
AE60DX21	-	0.99	1.01	0.97
AP60CX21	-	0.97	0.95	1.05
AP60DX21	-	0.97	0.96	1.03
AP60DX22	-	0.97	0.96	1.03
AVC60CX21	-	0.98	1.00	1.02
AVC60DX21	-	1.00	1.03	1.00
ME16CN21	CF/CM60C	0.97	0.99	0.98
ME20DN21	CF/CM60D	0.99	1.05	0.97
ME20DN21	CF/CM64D	1.01	1.06	0.99
ME16CN41	CF/CM60C	0.96	1.00	0.99
ME20DN41	CF/CM60D	0.98	0.98	0.99
ME20DN41	CF/CM64D	1.01	0.99	0.99
MVC16CN21	CF/CM60C	0.97	1.01	0.97
MVC20DN21	CF/CM60D	0.98	1.01	0.96
MVC20DN21	CF/CM64D	1.00	1.02	0.98

FURNACE MULTIPLIERS- 5 TON

Furnaces	Coil	T.C.	S.C.	KW
TL8E080C16UH11	CF/CM/CU60C	0.95	0.97	1.03
TL8E080C16UH11	CF/CM/CU60D	0.96	0.99	1.02
TL8E080C16UH11	CF/CM64D	0.97	1.00	1.01
TL8E100C20UH11	CF/CM/CU60C	0.96	1.00	1.00
TL8E100C20UH11	CF/CM/CU60D	0.96	1.00	1.00
TL8E100C20UH11	CF/CM64D	0.99	1.03	1.01
TL9E100C20UH11	CF/CM/CU60C	0.96	1.00	1.02
TL9E100C20UH11	CF/CM/CU60D	0.96	1.00	1.02
TL9E100C20UH11	CF/CM64D	0.99	1.03	1.01
TM8E080C16MP11	CF/CM/CU60C	0.95	0.98	1.01
TM8E080C16MP11	CF/CM/CU60D	0.96	1.00	1.02
TM8E080C16MP11	CF/CM64D	0.98	1.02	1.02
TM8E080C20MP11	CF/CM/CU60C	0.96	0.98	1.00
TM8E080C20MP11	CF/CM/CU60D	0.96	0.99	1.00
TM8E080C20MP11	CF/CM64D	0.99	1.02	0.99
TM8E100C16MP11	CF/CM/CU60C	0.95	0.98	1.01
TM8E100C16MP11	CF/CM/CU60D	0.96	1.00	1.02
TM8E100C16MP11	CF/CM64D	0.98	1.02	1.02
TM8E100C20MP11	CF/CM/CU60C	0.97	1.03	1.05
TM8E100C20MP11	CF/CM/CU60D	0.96	0.98	1.00
TM8E100C20MP11	CF/CM64D	0.99	1.00	0.99
TM8E120C16MP11	CF/CM/CU60C	0.96	0.99	1.02
TM8E120C16MP11	CF/CM/CU60D	0.96	1.00	1.02
TM8E120C16MP11	CF/CM64D	0.98	1.02	1.02
TM8E120C20MP11	CF/CM/CU60C	0.97	1.03	1.03
TM8E120C20MP11	CF/CM/CU60D	0.95	0.98	0.99
TM8E120C20MP11	CF/CM64D	0.99	1.00	0.99
TM8E130D20MP11	CF/CM/CU60D	0.97	1.01	1.00
TM8E130D20MP11	CF/CM64D	0.99	1.04	0.99
TM8V080C16MP12C	CF/CM/CU60C	0.98	1.03	1.03
TM8V080C16MP12C	CF/CM/CU60D	0.98	1.03	1.02

FURNACE MULTIPLIERS- 5 TON (Continued)

Furnaces	Coil	T.C.	S.C.	KW
TM8V100C16MP12C	CF/CM/CU60C	0.98	1.03	1.03
TM8V100C16MP12C	CF/CM/CU60D	0.98	1.03	1.02
TM8V100C20MP11C	CF/CM/CU60D	0.97	1.00	1.03
TM8V100C20MP12C	CF/CM/CU60C	0.96	0.97	0.98
TM8V100C20MP12C	CF/CM/CU60D	0.96	0.97	0.98
TM8V100C20MP12C	CF/CM64D	0.97	0.98	0.97
TM8V120C20MP11C	CF/CM/CU60D	0.97	1.00	1.03
TM8V120C20MP12C	CF/CM/CU60C	0.96	0.97	0.98
TM8V120C20MP12C	CF/CM/CU60D	0.96	0.97	0.98
TM8V120C20MP12C	CF/CM64D	0.97	0.98	0.97
TM8X080C16MP11	CF/CM/CU60C	0.95	0.95	0.99
TM8X080C16MP11	CF/CM/CU60D	0.96	0.97	1.00
TM8X080C16MP11	CF/CM64D	0.97	0.96	0.98
TM8X100C16MP11	CF/CM/CU60C	0.95	0.95	0.99
TM8X100C16MP11	CF/CM/CU60D	0.96	0.97	1.00
TM8X100C16MP11	CF/CM64D	0.97	0.96	0.98
TM8X100C20MP11	CF/CM/CU60C	0.97	0.96	1.01
TM8X100C20MP11	CF/CM/CU60D	0.97	0.96	0.99
TM8X100C20MP11	CF/CM64D	1.00	0.98	1.00
TM8X120C20MP11	CF/CM/CU60C	0.97	0.96	1.01
TM8X120C20MP11	CF/CM/CU60D	0.97	0.96	0.99
TM8X120C20MP11	CF/CM64D	1.00	0.98	1.00
TM8Y080C16MP11	CF/CM/CU60C	0.95	0.95	0.99
TM8Y080C16MP11	CF/CM/CU60D	0.96	0.97	1.00
TM8Y080C16MP11	CF/CM64D	0.97	0.96	0.98
TM8Y100C16MP11	CF/CM/CU60C	0.95	0.95	0.99
TM8Y100C16MP11	CF/CM/CU60D	0.96	0.97	1.00
TM8Y100C16MP11	CF/CM64D	0.97	0.96	0.98
TM8Y100C20MP11	CF/CM/CU60C	0.97	0.96	1.01
TM8Y100C20MP11	CF/CM/CU60D	0.97	0.96	0.99
TM8Y100C20MP11	CF/CM64D	1.00	0.98	1.00
TM8Y120C20MP11	CF/CM/CU60C	0.97	0.96	1.01
TM8Y120C20MP11	CF/CM/CU60D	0.97	0.96	0.99
TM8Y120C20MP11	CF/CM64D	1.00	0.98	1.00
TM9E080C20MP12	CF/CM/CU60C	0.97	1.03	1.05
TM9E080C20MP12	CF/CM/CU60D	0.95	0.98	0.99
TM9E080C20MP12	CF/CM64D	1.00	1.08	1.04
TM9E100C16MP12	CF/CM/CU60D	0.95	0.99	1.03
TM9E100C20MP11	CF/CM/CU60C	0.95	0.95	0.99
TM9E100C20MP11	CF/CM/CU60D	0.97	0.96	1.01
TM9E100C20MP11	CF/CM64D	0.99	0.98	1.01
TM9E100C20MP12	CF/CM/CU60C	0.97	1.02	1.03
TM9E100C20MP12	CF/CM/CU60D	0.96	0.98	1.00
TM9E100C20MP12	CF/CM64D	0.99	1.00	0.99
TM9E120D20MP11	CF/CM/CU60D	0.97	0.96	0.99
TM9E120D20MP11	CF/CM64D	1.00	0.98	1.00
TM9E120D20MP12	CF/CM/CU60D	0.96	1.00	1.02
TM9E120D20MP12	CF/CM64D	0.99	1.03	1.01
TM9V080C16MP11C	CF/CM/CU60C	0.97	0.96	1.03
TM9V080C16MP11C	CF/CM/CU60D	0.95	0.97	1.01
TM9V080C16MP12C	CF/CM/CU60D	0.95	0.97	1.01
TM9V100C16MP11C	CF/CM/CU60C	0.97	0.96	1.03
TM9V100C16MP12C	CF/CM/CU60C	0.97	0.99	1.00
TM9V100C16MP12C	CF/CM/CU60D	0.97	0.99	0.98
TM9V100C16MP12C	CF/CM64D	0.98	1.00	1.00

FURNACE MULTIPLIERS- 5 TON (Continued)

Furnaces	Coil	T.C.	S.C.	KW
TM9V100C20MP11C	CF/CM64D	0.98	0.94	1.00
TM9V100C20MP12C	CF/CM/CU60C	0.97	0.99	1.00
TM9V100C20MP12C	CF/CM64D	0.98	1.00	1.00
TM9V120D20MP11C	CF/CM/CU60D	0.97	0.96	1.01
TM9V120D20MP11C	CF/CM64D	1.00	0.98	1.02
TM9V120D20MP12C	CF/CM/CU60D	0.97	0.98	0.97
TM9V120D20MP12C	CF/CM64D	0.97	0.98	0.97
TM9Y100C20MP11	CF/CM/CU60C	0.95	0.95	0.99
TM9Y100C20MP11	CF/CM/CU60D	0.97	0.96	1.01
TM9Y100C20MP11	CF/CM64D	0.99	0.98	1.01
TM9Y120D20MP11	CF/CM/CU60D	0.97	0.96	0.99
TM9Y120D20MP11	CF/CM64D	1.00	0.98	1.00
TMLE080C16MP11	CF/CM/CU60C	0.95	0.98	1.01
TMLE080C16MP11	CF/CM/CU60D	0.96	1.00	1.02
TMLE080C16MP11	CF/CM64D	0.98	1.02	1.02
TMLE080C20MP11	CF/CM/CU60C	0.96	0.98	1.00
TMLE080C20MP11	CF/CM/CU60D	0.96	0.99	1.00
TMLE080C20MP11	CF/CM64D	0.99	1.02	0.99
TMLE100C16MP11	CF/CM/CU60C	0.95	0.98	1.01
TMLE100C16MP11	CF/CM/CU60D	0.96	1.00	1.02
TMLE100C16MP11	CF/CM64D	0.98	1.02	1.02
TMLE100C20MP11	CF/CM/CU60C	0.97	1.03	1.05
TMLE100C20MP11	CF/CM/CU60D	0.96	0.98	1.00
TMLE100C20MP11	CF/CM64D	0.99	1.00	0.99
TMLE120C16MP11	CF/CM/CU60C	0.96	0.99	1.02
TMLE120C16MP11	CF/CM/CU60D	0.96	1.00	1.02
TMLE120C16MP11	CF/CM64D	0.98	1.02	1.02
TMLE120C20MP11	CF/CM/CU60C	0.97	1.03	1.03
TMLE120C20MP11	CF/CM/CU60D	0.95	0.98	0.99
TMLE120C20MP11	CF/CM64D	0.99	1.00	0.99
TMLE130D20MP11	CF/CM/CU60D	0.97	1.01	1.00
TMLE130D20MP11	CF/CM64D	0.99	1.04	0.99
TMLV080C16MP12C	CF/CM/CU60C	0.98	1.03	1.03
TMLV080C16MP12C	CF/CM/CU60D	0.98	1.03	1.02
TMLV100C16MP12C	CF/CM/CU60C	0.98	1.03	1.03
TMLV100C16MP12C	CF/CM/CU60D	0.98	1.03	1.02
TMLV100C20MP11C	CF/CM/CU60D	0.97	1.00	1.03
TMLV100C20MP12C	CF/CM/CU60C	0.96	0.97	0.98
TMLV100C20MP12C	CF/CM/CU60D	0.96	0.97	0.98
TMLV100C20MP12C	CF/CM64D	0.97	0.98	0.97
TMLV120C20MP11C	CF/CM/CU60D	0.97	1.00	1.03
TMLV120C20MP12C	CF/CM/CU60C	0.96	0.97	0.98
TMLV120C20MP12C	CF/CM/CU60D	0.96	0.97	0.98
TMLV120C20MP12C	CF/CM64D	0.97	0.98	0.97
TMLX080C16MP11	CF/CM/CU60C	0.95	0.95	0.99
TMLX080C16MP11	CF/CM/CU60D	0.96	0.97	1.00
TMLX080C16MP11	CF/CM64D	0.97	0.96	0.98
TMLX100C16MP11	CF/CM/CU60C	0.95	0.95	0.99
TMLX100C16MP11	CF/CM/CU60D	0.96	0.97	1.00
TMLX100C16MP11	CF/CM64D	0.97	0.96	0.98
TMLX100C20MP11	CF/CM/CU60C	0.97	0.96	1.01
TMLX100C20MP11	CF/CM/CU60D	0.97	0.96	0.99
TMLX100C20MP11	CF/CM64D	1.00	0.98	1.00

FURNACE MULTIPLIERS- 5 TON (Continued)

Furnaces	Coil	T.C.	S.C.	KW
TMLX120C20MP11	CF/CM/CU60C	0.97	0.96	1.01
TMLX120C20MP11	CF/CM/CU60D	0.97	0.96	0.99
TMLX120C20MP11	CF/CM64D	1.00	0.98	1.00
TP9C080C16MP12C	CF/CM/CU60C	0.97	0.96	1.03
TP9C080C16MP13C	CF/CM/CU60D	0.95	0.97	1.01
TP9C100C16MP12C	CF/CM/CU60C	0.97	0.96	1.03
TP9C100C16MP13C	CF/CM/CU60C	0.97	0.99	1.00
TP9C100C16MP13C	CF/CM/CU60D	0.97	0.99	0.98
TP9C100C16MP13C	CF/CM64D	0.98	1.00	1.00
TP9C100C20MP12C	CF/CM64D	0.98	0.94	1.00
TP9C100C20MP13C	CF/CM/CU60C	0.97	0.99	1.00
TP9C100C20MP13C	CF/CM64D	0.98	1.00	1.00
TP9C120D20MP12C	CF/CM/CU60D	0.97	0.96	1.01
TP9C120D20MP12C	CF/CM64D	1.00	0.98	1.02
TP9C120D20MP13C	CF/CM/CU60D	0.97	0.98	0.97
TP9C120D20MP13C	CF/CM64D	0.97	0.98	0.97
TPLC080C16MP13C	CF/CM/CU60C	0.98	1.03	1.03
TPLC080C16MP13C	CF/CM/CU60D	0.98	1.03	1.02
TPLC100C16MP13C	CF/CM/CU60C	0.98	1.03	1.03
TPLC100C16MP13C	CF/CM/CU60D	0.98	1.03	1.02
TPLC100C20MP12C	CF/CM/CU60D	0.97	1.00	1.03
TPLC100C20MP13C	CF/CM/CU60C	0.96	0.97	0.98
TPLC100C20MP13C	CF/CM/CU60D	0.96	0.97	0.98
TPLC100C20MP13C	CF/CM64D	0.97	0.98	0.97
TPLC120C20MP12C	CF/CM/CU60D	0.97	1.00	1.03
TPLC120C20MP13C	CF/CM/CU60C	0.96	0.97	0.98
TPLC120C20MP13C	CF/CM/CU60D	0.96	0.97	0.98
TPLC120C20MP13C	CF/CM64D	0.97	0.98	0.97
YP9C080C16MP12C	CF/CM/CU60C	0.97	0.96	1.03
YP9C080C16MP13C	CF/CM/CU60D	0.95	0.97	1.01
YP9C100C16MP12C	CF/CM/CU60C	0.97	0.96	1.03
YP9C100C16MP13C	CF/CM/CU60C	0.97	0.99	1.00
YP9C100C16MP13C	CF/CM/CU60D	0.97	0.99	0.98
YP9C100C16MP13C	CF/CM64D	0.98	1.00	1.00
YP9C100C20MP12C	CF/CM64D	0.98	0.94	1.00
YP9C100C20MP13C	CF/CM/CU60C	0.97	0.99	1.00
YP9C100C20MP13C	CF/CM64D	0.98	1.00	1.00
YP9C120D20MP12C	CF/CM/CU60D	0.97	0.96	1.01
YP9C120D20MP12C	CF/CM64D	1.00	0.98	1.02
YP9C120D20MP13C	CF/CM/CU60D	0.97	0.98	0.97
YP9C120D20MP13C	CF/CM64D	0.97	0.98	0.97
YPLC080C16MP13C	CF/CM/CU60C	0.98	1.03	1.03
YPLC080C16MP13C	CF/CM/CU60D	0.98	1.03	1.02
YPLC100C16MP13C	CF/CM/CU60C	0.98	1.03	1.03
YPLC100C16MP13C	CF/CM/CU60D	0.98	1.03	1.02
YPLC100C20MP12C	CF/CM/CU60D	0.97	1.00	1.03
YPLC100C20MP13C	CF/CM/CU60C	0.96	0.97	0.98
YPLC100C20MP13C	CF/CM/CU60D	0.96	0.97	0.98
YPLC100C20MP13C	CF/CM64D	0.97	0.98	0.97
YPLC120C20MP12C	CF/CM/CU60D	0.97	1.00	1.03
YPLC120C20MP13C	CF/CM/CU60C	0.96	0.97	0.98
YPLC120C20MP13C	CF/CM/CU60D	0.96	0.97	0.98
YPLC120C20MP13C	CF/CM64D	0.97	0.98	0.97

Subject to change without notice. Published in U.S.A.
 Copyright © 2020 by Johnson Controls. All rights reserved.

5562620-YTG-C-0320
 Supersedes: 5562620-YTG-B-0819

York International Corp.
 5005 York Drive
 Norman, OK 73069